

INSTRUCTION MANUAL

Safety Warnings

These products are only suitable for connection to a 240V~50Hz supply.

It is recommended that these floor standing lights are installed by a qualified electrician in accordance with current IEE Wiring Regulations and local Building Regulations and are for the Domestic environment only.

These light fittings should be connected to a lighting circuit protected by a 5 amp fuse (or a 6 amp miniature circuit breaker).

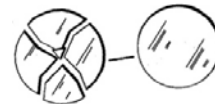
These lights have an IP44 (splash proof) rating suitable for use outdoors.

Run supply wire from a 5-amp electrical supply using double insulated 3-core cable of type H05RN-F 1.0mm² (not supplied) to selected site, ensuring it is adequately protected through the full length of the cable run, it must come out of the mounting surface in line with the entry to the fitting and should be long enough to enable it to be connected to the terminal block under the lantern head.

Except where installed in a conduit or duct, which provides equivalent protection against mechanical damage, a cable buried in the ground shall incorporate an earthed armour or metal sheath or both, suitable for use as a protective conductor, or be of insulated concentric construction. Buried cables shall be marked by cable covers or a suitable marking tape. Buried conduits and ducts shall be suitably identified. Buried cables, conduits and ducts shall be at a sufficient depth to avoid being damaged by any reasonably foreseeable disturbance of the ground.

These product contain breakable parts – be careful during handling and maintenance to avoid breakage.

If the cover is broken or cracked then it must be replaced immediately to preserve the water ingress protection, please consult your retailer. This is represented by the symbol



IMPORTANT: To achieve maximum corrosion resistance the surface of the Stainless Steel must be kept clean. Surface contamination and the formation of deposits are critical factors which may lead to drastically reduced life. An example is salt deposits from marine conditions. Cleaning with soap or a mild detergent and warm water followed by a careful clean water rinse and finally wiping dry is usually adequate for most S/S items used in the domestic environment. Care must be taken to turn off the mains supply until the cleaning process has been completed and the fitting is completely dry.

If any modification is made it will invalidate the warranty and may render the products unsafe.

Before you start

Please read these instructions carefully before fitting your new light and retain for reference.

Switch off the mains supply and remove the appropriate fuse or switch off the appropriate circuit breaker before commencing installation.

Ensure that no one else has access that would enable the supply to be inadvertently reconnected.

Ensure that there are no cables / pipes beneath the surface (other than the supply cable for this fitting).

The mounting surface must be secure and able to accommodate the weight / height of the fitting. If installing on an existing secure (concrete) base, use the holes in the lamp post base as a template to drill suitable fixing holes and prepare with suitable ground fixing bolts (not supplied). The supply cable must be long enough to come out of the mounting surface and directly into the terminal block under the lamp head. **MAKE** sure the cable length that is required is accurately determined before assembly.

Check the packaging and make sure that you have all the required parts.

Follow each assembly step in order to prevent incorrect assembly

Make sure all screws / nuts, including electrical connections etc are fully tightened before use.

The Light pack contains:

IP44 rated Floor standing lights.

The following tools may be required:

Selection of cross and flat head screwdrivers.

Electric drill and assorted drill bits.

Wire strippers.

Electrical insulation tape.

These assembly diagrams are intended as a guide – if in doubt consult a qualified electrician. Both fittings follow this same general instruction.

Diagram A

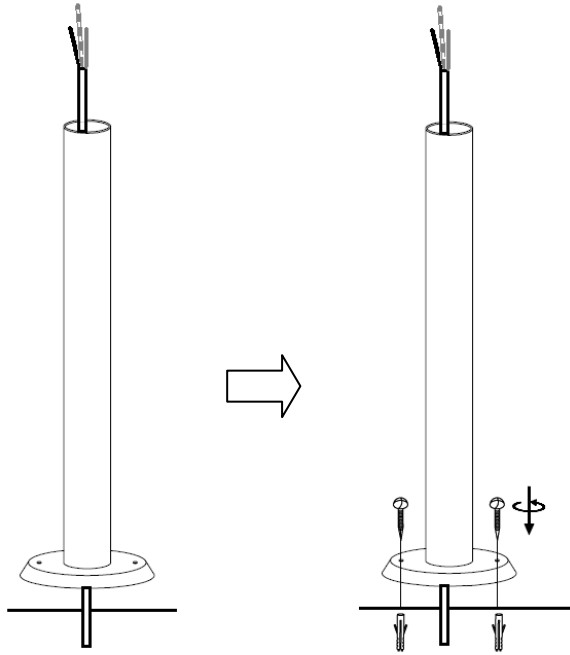


Diagram B

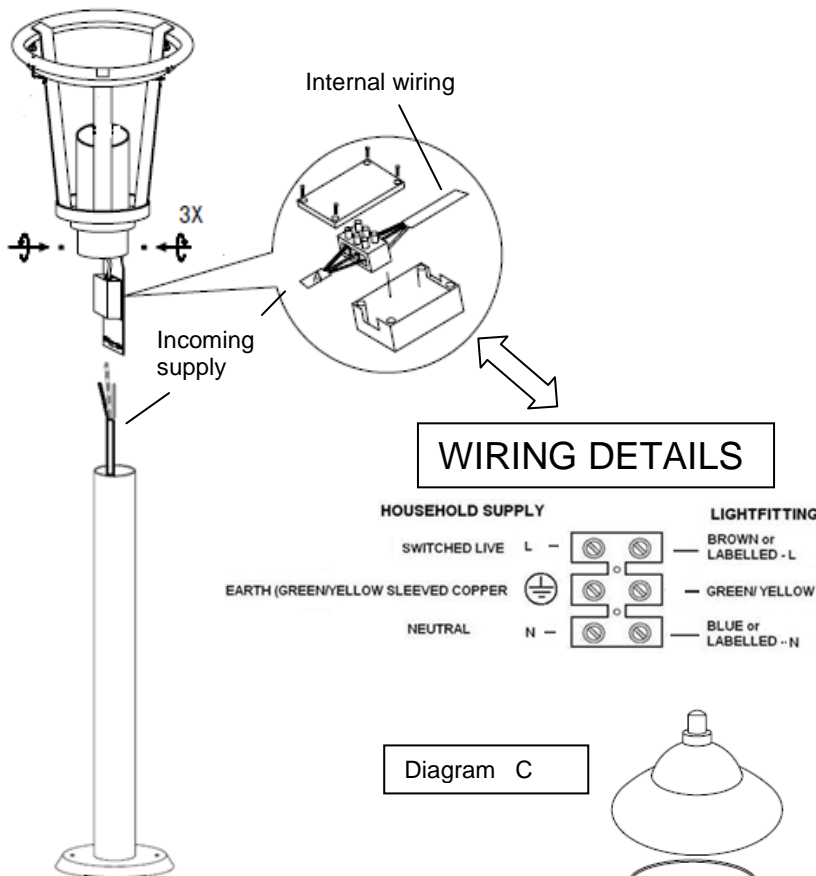
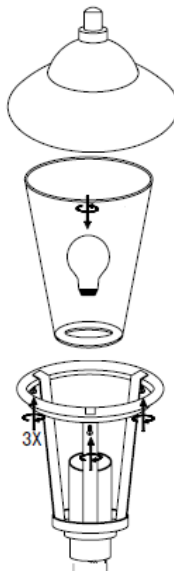


Diagram C



1. **Diagram A.** Determine the position of your light fitting. Ensure there is **sufficient power cable** to connect to the fitting. Ensure that the mounting surface is solid. If you are using anchor bolts (not supplied) prepare the mounting surface as appropriate (and ensure that there are no other cables or pipes beneath the surface).
2. Thread the supply cable up through the tube base leaving enough cable protruding through the top of the tube to connect to the terminal block under the lantern head. Use the base as a template to mark the mounting hole positions. Drill and plug the holes and securely mount the support tube.
3. **Diagram B.** Remove the 4 securing screws and take the lid off the terminal block housing to expose the internal terminal block.
4. Connect the incoming mains to the internal terminal block. **NOTE: This is a Class I fitting and must be earthed.** Connect the incoming mains as per the **WIRING DETAILS** diagram
5. Re-fit the terminal block into its housing and secure the lid—ensuring that all seals are correctly located.
6. Carefully push the terminal block assembly into the tube base and secure the head with the 3 x screws provided.
7. **Diagram C.** Fit the clear cover into the head cage. Fit the recommended bulb type (not supplied) into the lamp holder. **NOTE: Never fit bulbs of a higher wattage or of a type other than those specified on the label (as these may cause overheating and damage the fitting).**
8. Fit the lid and secure with the 3 x screws as shown.
9. Turn on the power and test.