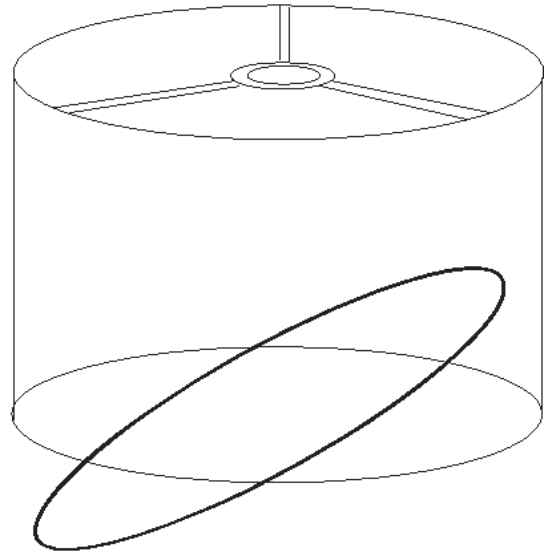


## NON-ELECTRIC PENDANT with DIFFUSER INSTALLATION INSTRUCTIONS

No experience of electrical wiring is required to install this pendant.

### Step 1 – Unpacking.

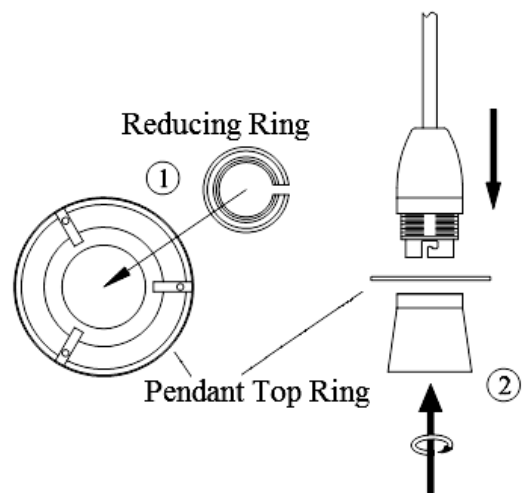
1. Remove the protective wrapping from the diffuser and from around the shade.
2. Remove the diffuser from shade: Place the shade on a clean, flat surface with the diffuser facing upwards. Carefully, but firmly, push down on one section of the diffusers edge. The diffuser will tilt and can then be lifted out of the shade.



### Step 2 - Fitting and changing a light bulb.

**Make sure the electricity is switched off at the fuse board before removing bulb.**

1. Ensure the lamp holder is in good condition and is not damaged before proceeding.
2. Allow the old bulb to cool down before handling. Remove existing light bulb from lamp holder.
3. Remove lower half of lamp holder and make sure the lamp holder is not damaged.
4. If required, clip the reducing ring into top ring of the pendant. ①
5. Place upper half of lamp holder, attached to cable, through top ring of pendant. Replace lower half of lamp holder to hold the pendant in place. ②
6. Fit the bulb: Type and wattage as indicated on the product.
7. Re-fit the diffuser: Insert diffuser into the shade at an oblique angle. Place one hand inside the shade and gently press down all around the diffuser's edge whilst supporting the shade from underneath. Take care not to put any stain on the supply cable or lamp holder.
8. Switch the electricity back on at the fuse board. You may now switch on the light.



### GENERAL INFORMATION

This product is designed for internal use only. **Do not use polish or abrasive cleaner - just a soft dry cloth.**