

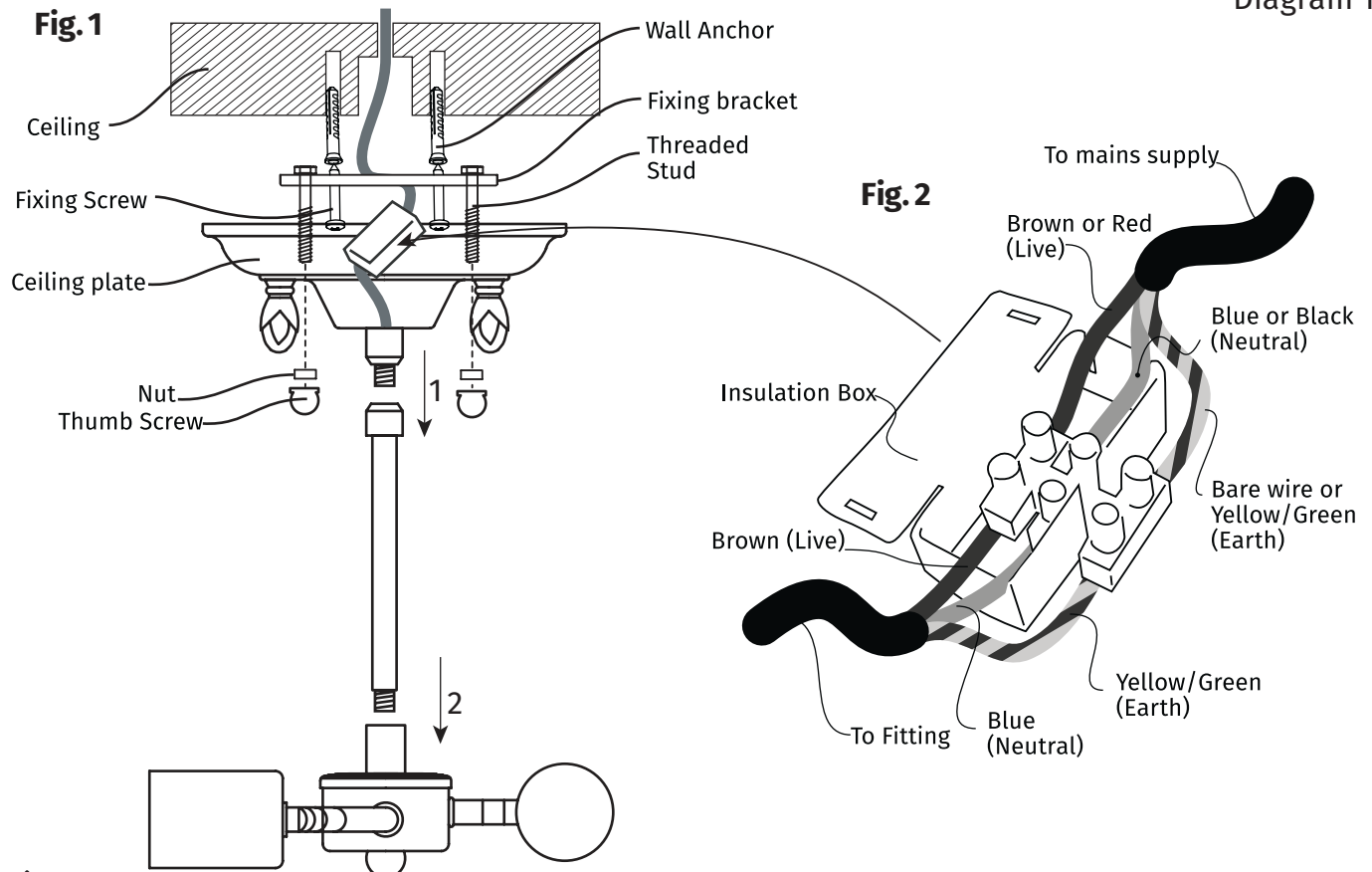
ROCHAMP


- This product is only suitable for connection to a 240V~50Hz supply in accordance with current IEE wiring regulations. It should be installed in accordance with local building regulations and is for domestic ceiling use only. It is not suitable for a bathroom location.
- Before installing your light fitting always switch off the mains supply and remove the appropriate fuse or switch off the appropriate circuit breaker before commencing installation.
- This is a Class I product, and **must** be Earthed. The terminal blocks are supplied according to requirements of the fitting.
- Never fit bulbs of a higher wattage than those specified on the label, as these may cause overheating and damage the fitting.
- Shades can be heavy. Please use an assistant to help you fit the shade.
- If you are in any doubt about your competence please consult a qualified electrician.
- If any modification is made it will invalidate the warranty and may render the product unsafe.

To affix to the ceiling (Diagram 1)

1. **Figure 1:** Screw the stem of the fitting into the ceiling cup (1) and lamp-body (2) of the fitting. Ensure that the location you are choosing can support the weight of the fitting, ideally a joist or joist bridge. Using the fixing bracket, mark and make the screw holes. Pull the mains cable through the central hole of the fixing bracket, and insert the fixing screws as shown in the diagram.
2. **Figure 2:** Support your fitting and connect the house wiring to the terminal block. **Note: This product is Class I, and MUST be Earthed. Please see expanded wiring details below.** The 4th terminal block connector is used for the "loop" wires of the "Ring Circuit". There may be more than one set of cables in the "loop" connections. If there is a "Ring Circuit" and you do not understand the connections you must consult an electrician. Any loose terminal blocks – not secured to ceiling cup – should always be covered with 2 layers of good quality insulation tape.
3. Using the nuts and thumbscrews, secure the ceiling cup over the fixing bracket. Ensure that all cables and the insulation box are housed in the ceiling cup without any cables being trapped.

Diagram 1



 Suitable for indoor use only.

www.interiors1900.co.uk

Interiors

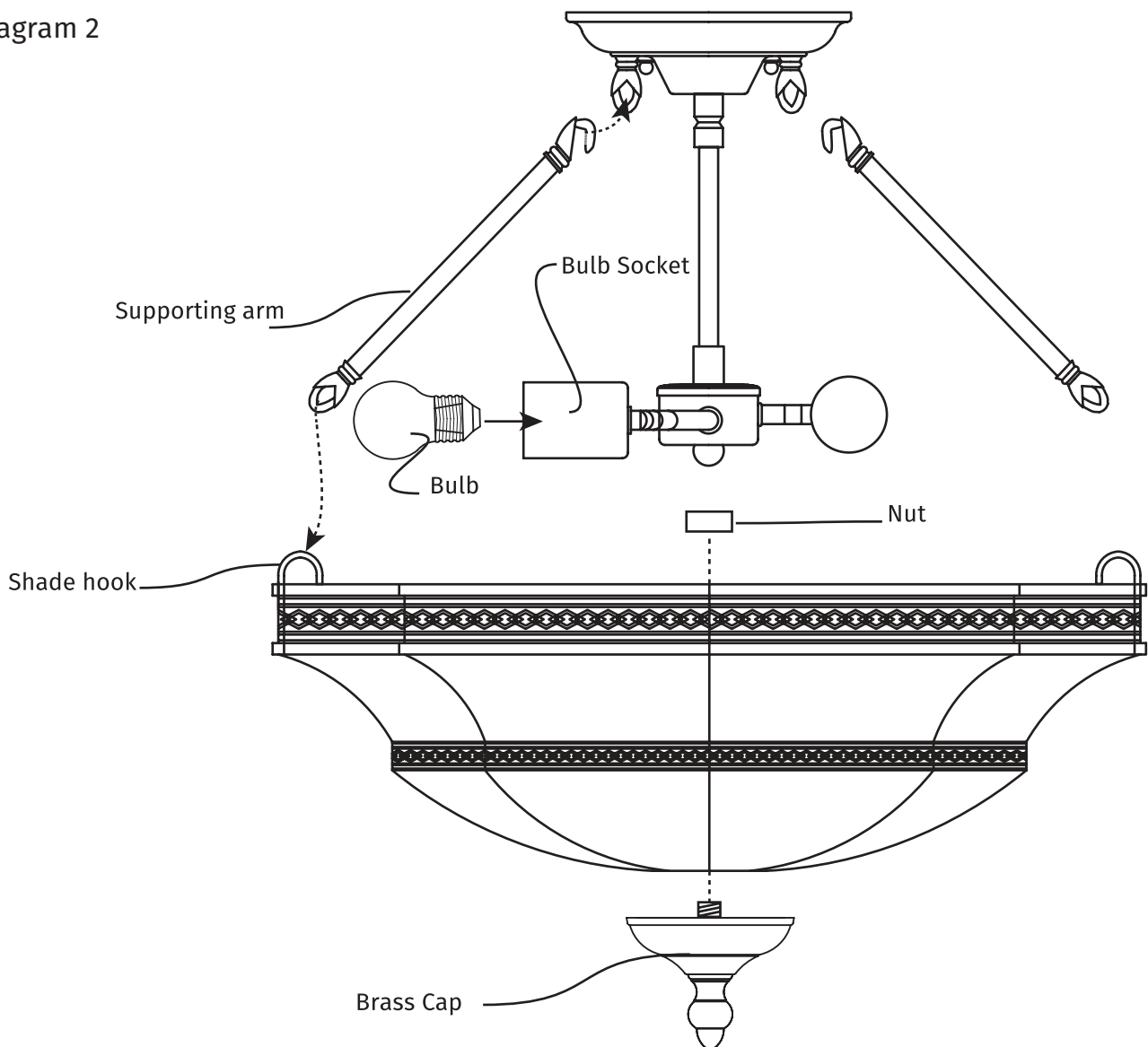
1900

Tiffany

To affix the shade (Diagram 2)

4. Fit the bulbs. Do not fit a higher wattage or different shaped bulb from that mentioned on the bulb holder, as this could cause over-heating and damage the lamp.
5. Secure the bottom cup to the main shade by slotting the threaded post up into the shade and securing with the nut.
6. Attach all the supporting arms to the top loops, using the open hook side.
7. With the help of an assistant, raise the shade up, and attach the supporting arms to the shade hooks. Ensure all the arms are in place before releasing the shade.
8. Finally switch on the fitting to ensure it lights up.

Diagram 2



Suitable for indoor use only.

www.interiors1900.co.uk

Lighting Association Accredited
LS9 0SE 10/03/2017