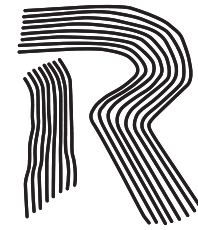


# Assembly Instructions

## Flush Fittings



ROCHAMP  
*by Interiors 1900*

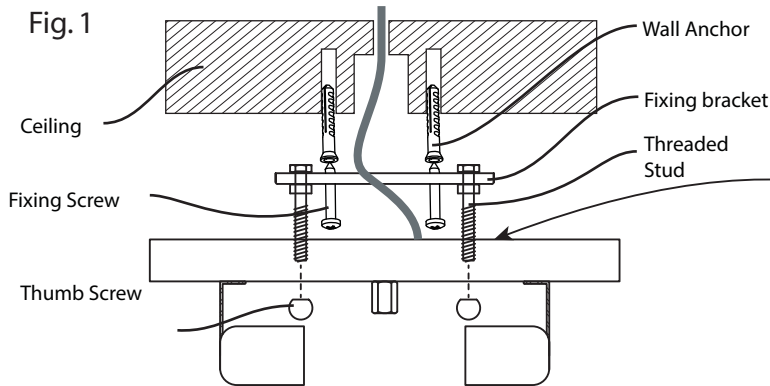
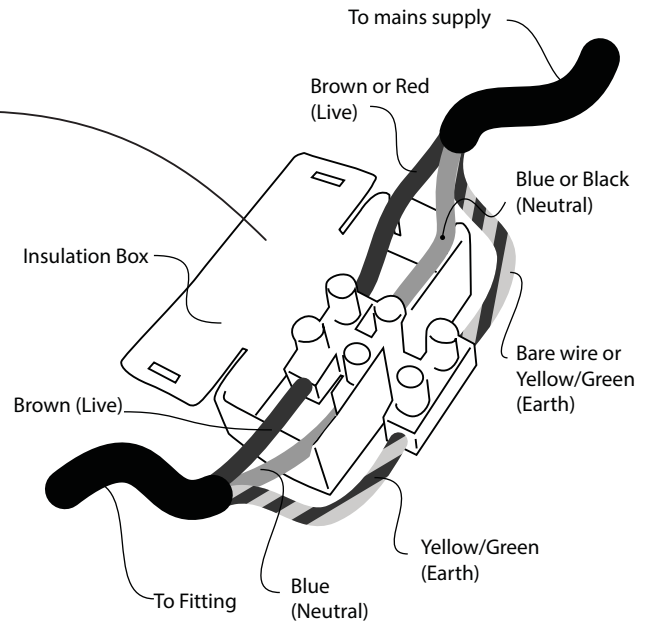


Fig. 2



### 1. Attach the fitting to the ceiling

- Determine the position of your light fitting ensuring that the mains cable from the building can easily reach the terminal block. Then mark the position of the three mounting holes on the main plate.
- Ensuring that you do not damage any pipes or wires in the ceiling. Drill the holes for mounting fixings (using the appropriate size drill for the fitting type). Before attaching the light fitting to the ceiling thread the mains supply cable through the cable hole (protected by the rubber bush) Attach the light fitting to the ceiling using appropriate wall plugs and screws. If screws are provided ensure they are suitable for your ceiling construction, if in doubt purchase new screws and wall plugs.

### 2. To wire the fitting (fig. 2)

- Ensure mains supply is switched off
- Using a connector block, or similar (not provided), connect the following cables
  - The earth (green&yellow) from the fitting to the earth (green&yellow) from the mains supply.
  - The neutral (blue) from the fitting to the neutral (blue or black) from the mains supply.
  - The live (brown) from the fitting to the live (red or brown) from the mains supply.

#### Before proceeding please ensure:

- That the insulation goes right up to terminal
- That no bare wire is showing.
- All terminal screws are fully tightened and each wire is secure.
- Only the Yellow/Green Earth wire should be on the outside of the insulation box

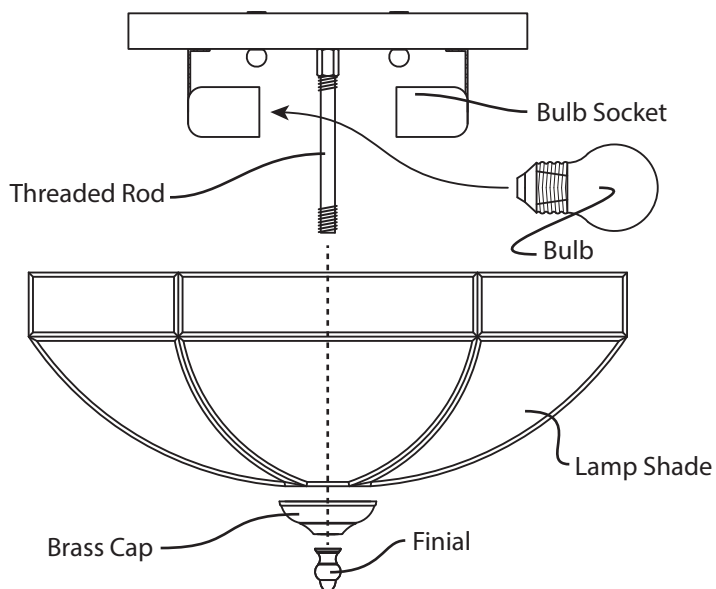
Close the insulation box and ensure that there are no single insulated wires exposed outside the insulation box.

### 3. Secure the ceiling plate to the fixing bracket

- ensuring that the insulation box and cables remain within ceiling plate, attach the ceiling plate to the fixing bracket and secure using the two thumb screws onto the threaded rods.

[www.interiors1900.co.uk](http://www.interiors1900.co.uk)

Fig.3



### 3. Attaching the shade to the light fitting (Fig. 3)

- Secure the threaded rod to the ceiling plate.
- Insert the correct bulbs ensuring not to exceed the wattages stated on the bulb holders.
- With the finial ready place the lamp shade and brass cap over the threaded rod. Secure with the Finial.

- **Always turn off the mains supply at the consumer unit, shut off the Circuit breaker or remove the circuit fuse before commencing installation.**
- **This fixture should only be installed by a qualified electrician.**
- **This fixture is suitable for indoor use only.**
- **This fitting is not suitable for use in areas of high moisture (bathrooms etc).**
- **Fittings are not supplied, please ensure you use suitable fittings for your ceiling/wall type**
- **Do not exceed the maximum wattage recommended on lamp holder.**
- **Lamps become very hot, ensure they have had time to cool before handling the light bulbs.**
- **If the external flexible cable of this luminaire is damaged, it shall be exclusively replaced by the manufacturer or his service agent or a similar qualified person in order to avoid a hazard.**

**Always remove the shade carefully and ensure the electricity is off to the light fitting before changing the light bulbs.**

**This fitting will get hot. Only attach to fire retardant surfaces.**



**Suitable for indoor use only.**