

## Technical data

Supply Voltage: 220-240 V~, 50 Hz

Bulb Type: 101349---1 x Max. 7W LED GU101

101350---2 x Max. 7W LED GU101



Conformity with all relevant UKCA Directive requirements.



Conformity with all relevant EC Directive requirements.



This is a Class 1 product and must be earthed.



Waste electrical products should not be disposed of with household waste. Please recycle where facilities exist. Check with your Local Authority or local store for recycling advice.



This product is suitable for dimming.



This product is rated at IP65.

## Care and Safety

For your safety, always switch off the power supply before changing lightbulbs, adjusting spotlight heads or cleaning.

Do not use solvents or abrasive cleaners as these could damage the finish.

In normal circumstances, stainless steel is very resistant to corrosion.

It does however require maintenance to preserve the high quality appearance. Wash the product with warm soapy water, removing all surface deposits. Rinse with clear water and with a soft cloth, wipe dry.

In some cases, surface corrosion may arise after installation. This is normally caused by tiny iron particles left behind after the brushing process when finishing.

Wash and dry as detailed above. Then with a soft cloth soaked with a protective oil, wipe all over.

However if the product is subject to extreme environmental conditions such as marine locations, industrial pollution and acid rain these maintenance procedures should be carried out around four times a year. For severe corrosion, non-abrasive cream cleaners or proprietary stainless steel cleaners should be used to remove the corrosion. Wash and dry as detailed above. Then with a soft cloth soaked with a protective oil, wipe all over.

**Do not clean the units with a pressure washer.**

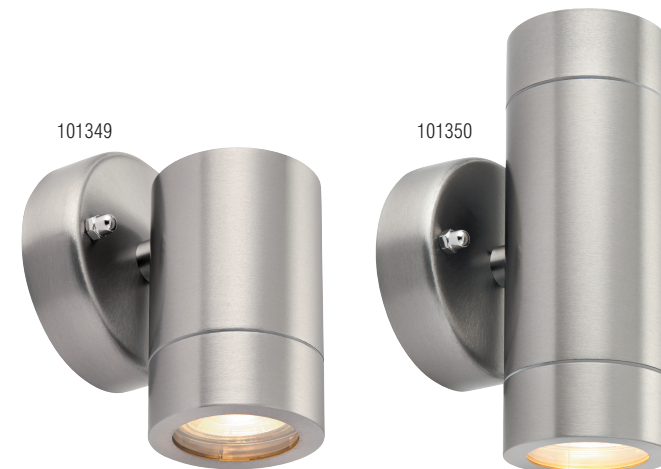


This LED's are protected by the glass shade. The shade part must be replaced immediately should it become cracked or damaged. This fitting must not be used without the glass shade in place.

Instruction manual

# Palin LED Wall

101349, 101350



V1 25/03/2022

UK Manufacturer: BH17 7BY

EU Manufacturer: Brilliant AG,

Brilliantstrasse 1, D-27442 Gnarrenburg

saxby  
lighting

www.saxbylighting.com

saxby  
lighting

Thank you for purchasing this light fitting. Please read the instruction carefully before use to ensure safe and satisfactory operation of this product. Please retain these instruction for future reference.

## Warning

This is a Class 1 product and must be earthed.

Please read these instructions carefully before commencing any work.

This unit must be fitted by a competent and qualified electrician.

Install in accordance with the IEE Wiring regulations and current Building Regulations.

Check the pack and make sure you have all the parts listed.

To prevent electrocution switch off at the mains supply before installing or maintaining this fitting. Ensure other persons cannot restore the electrical supply without your knowledge. If you are in any doubt, please consult a qualified electrician.

This light should be connected to a circuit with a 30mA RCD fitted.

If replacing an existing fitting, make a careful note of the connections.

This product is suitable for location in or near a marine environment.

Always use the correct type and wattage bulb. Never exceed the wattage stated.

When changing a bulb, always switch off at the mains and allow the old bulb to cool down before handling.

Dispose of used bulbs carefully and responsibly.

Waste electrical products should not be disposed of with household waste. Please recycle where facilities exist. Check with your local authority or retailer for recycling advice.

## Layout

Plan the desired layout of these fittings carefully, ensuring the cables will reach the distances between the junction box and the each light fitting.

Avoid locating any cables in positions that would cause a hazard. Position cables and outdoor rated junction boxes (not supplied) away from areas where they may be at risk from being cut, trapped or damaged.

We recommend that you use H05RN-F specification cable (not supplied) which is an outdoor grade, rubber sheathed cable.

The mains supply cable must have a minimum cross section area of 1.0mm<sup>2</sup>.

Cables must be protected using suitable conduit or plastic trunking.

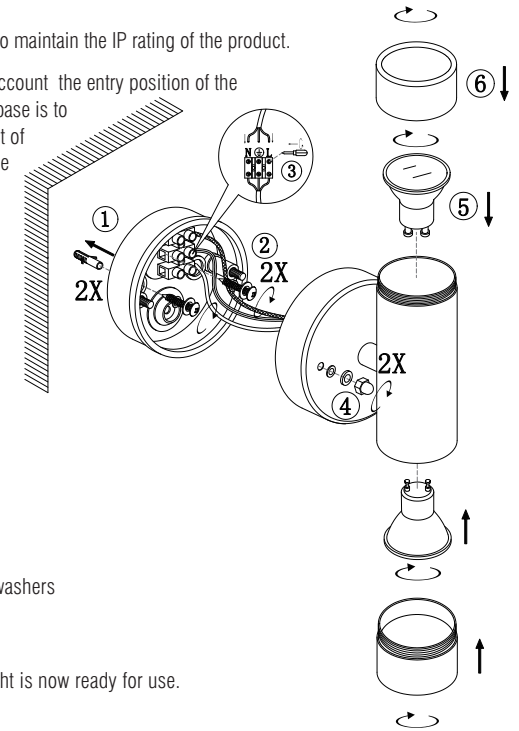
## Installation

Existing fittings must be completely removed before installation of a new product. Before removing the existing fitting, carefully note the position of each set of wires.

Note that the switch is turned off before installation.

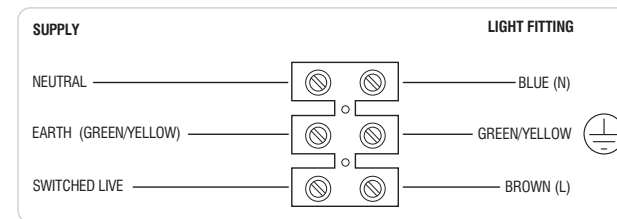
Ensure that the screws and cable entry points are sealed to maintain the IP rating of the product.

- Determine the position of your light fitting taking into account the entry position of the cable and the **ARROW** indicating which **WAY UP** the base is to be fitted. Make sure there is sufficient cable coming out of the wall to connect to the terminal block. Ensure that the mounting surface is solid, preferably a brick or block wall and ensure that there are no other cables or pipes beneath the surface.
- Remove mounting box from the product by removing dome nuts and washers. Pull terminal block off of retaining pegs. Carefully pierce a small hole in the rubber gasket in the centre of the mounting box to allow the cable to pass through.
- Use the mounting box as a template and mark the 2 fixings holes, making sure the mounting box is correctly aligned so that the threaded bolts are horizontal. Use appropriate fixings to secure the back plate to the wall.
- Wire as detailed Wiring diagram.
- Fit the product back on to the mounting box and refit washers and dome nuts, tighten dome nuts to secure.
- Fit the bulbs.
- Replace fuse or circuit breaker and switch on. Your light is now ready for use.



## Wiring

Having correctly identified the wiring from your existing light fitting, pull the wire through the hole and connect to the terminal block inside the product in the following way:



### Check that...

- You have correctly identified the wires
- The connections are tight
- No loose strands have been left out of the connection block

## Fitting/replacing bulbs (Max. 7W LED GU10)

When changing a bulb, always switch off at the mains and allow the bulb to cool before handling. Dispose of used bulbs carefully. Do not exceed the wattage stated or use a different shape bulb from that indicated on the fitting.

Clockwise to engage pins. Finally, refit the lampholder covers. Screw on tightly to maintain IP protection.

To access the bulb, unscrew the lampholder covers. Turn the bulb one quarter turn anticlockwise and remove. Push the new bulb gently into the lampholder and twist a quarter turn

