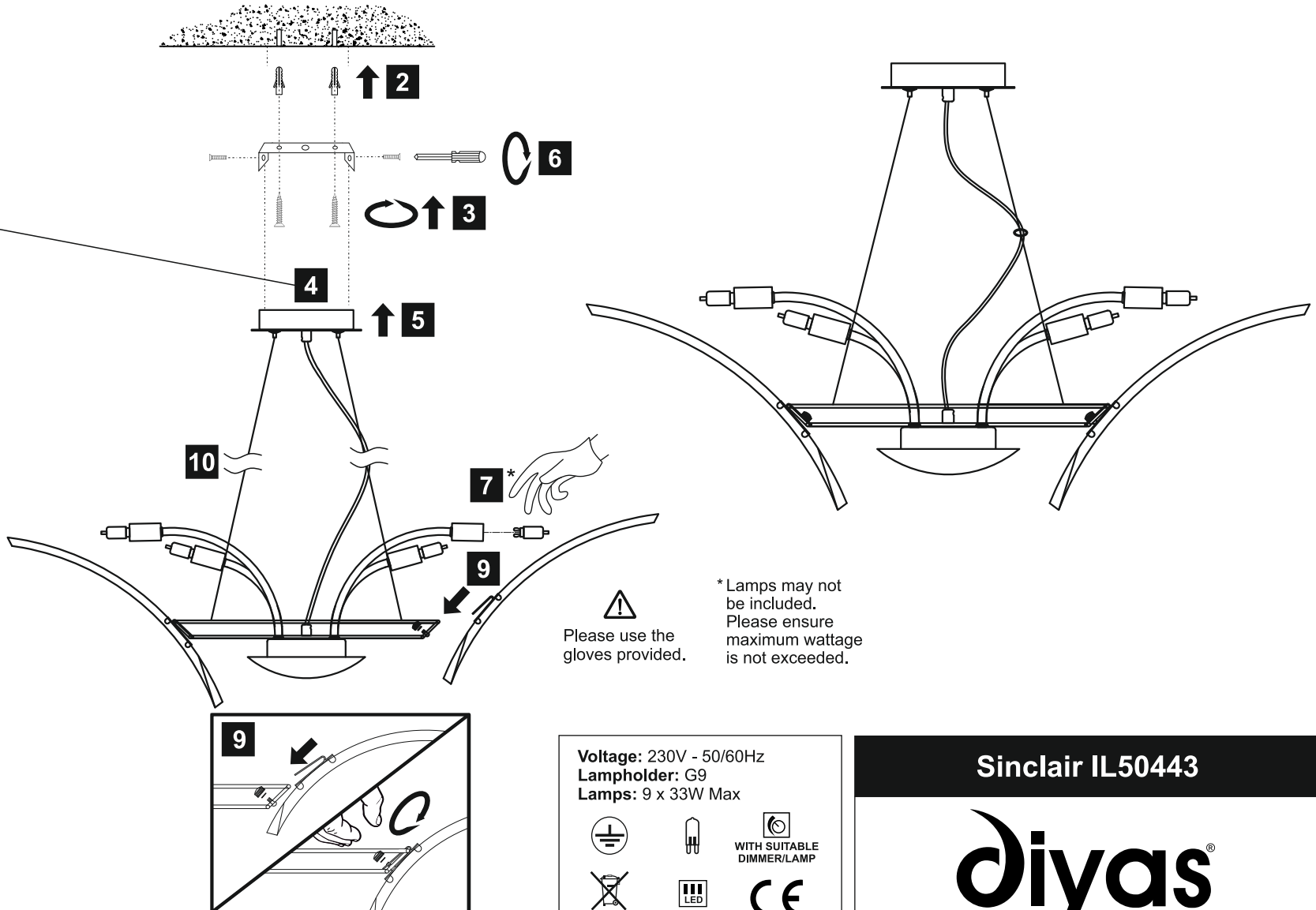
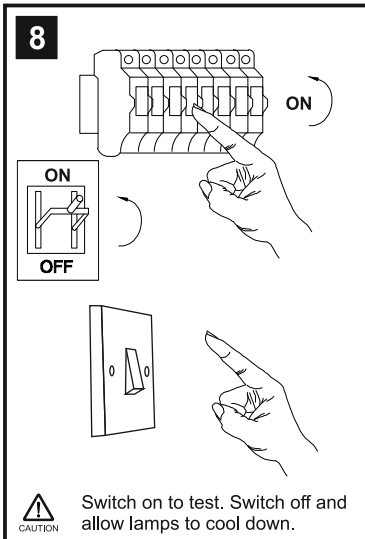
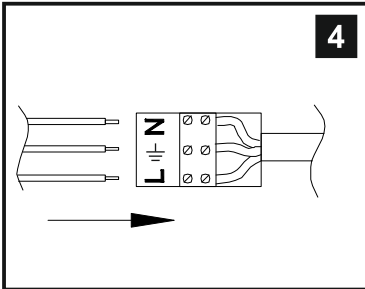
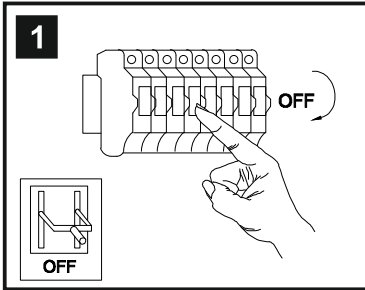


INSTALLATION INSTRUCTIONS

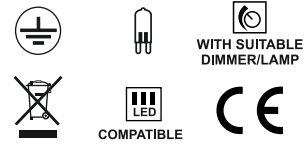
(ILLUSTRATIONS ARE FOR GUIDANCE PURPOSES ONLY.
ACTUAL PRODUCT MAY DIFFER FROM THE IMAGES SHOWN)



- (1) Prior to installation carefully unpack and check all the components and accessories are as per details enclosed.
- (2) These instructions should be used in conjunction with the installation guidelines included.



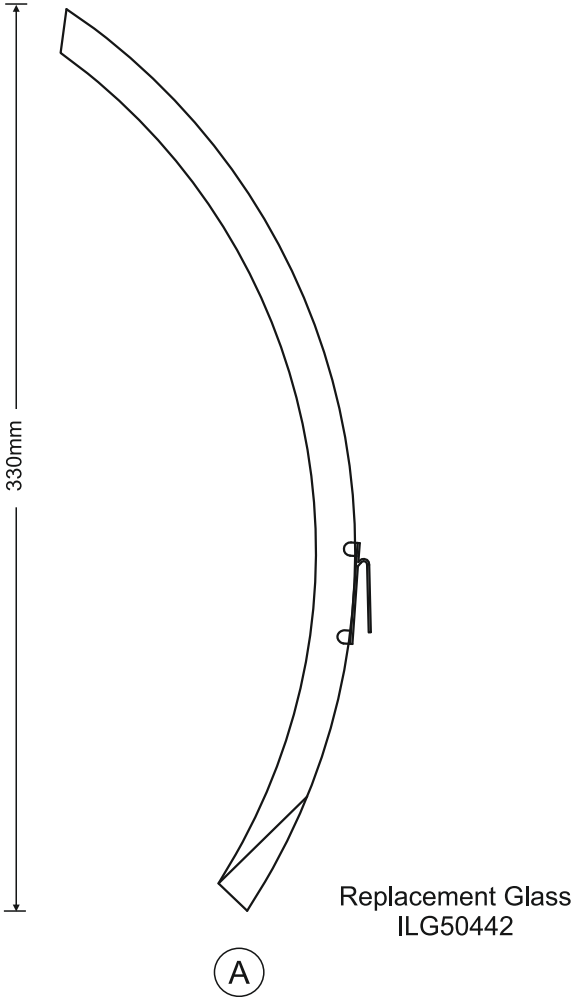
Voltage: 230V - 50/60Hz
Lampholder: G9
Lamps: 9 x 33W Max



Sinclair IL50443

diyás®

LIST OF COMPONENTS



Accessories

Glass Arc With Mounting Bracket A	22 Pcs	

Installation Pack

White Gloves	2 Pcs	
Installation Instructions	2 Pages	
Installation Guidelines	2 Pages	
Fixing Screw & Plug	2 Sets	
Allen Key	1 Pc	

Contents Checked By

Sinclair IL50443

