

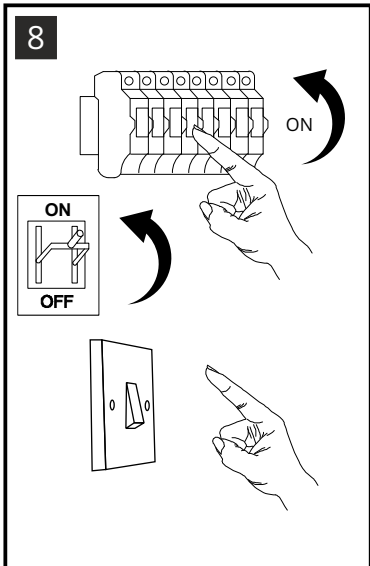
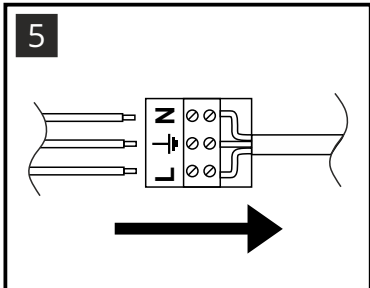
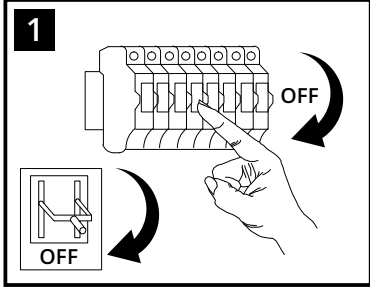
INSTALLATION INSTRUCTIONS

(ILLUSTRATIONS ARE FOR GUIDANCE PURPOSES ONLY.
ACTUAL PRODUCT MAY DIFFER FROM THE IMAGES SHOWN)

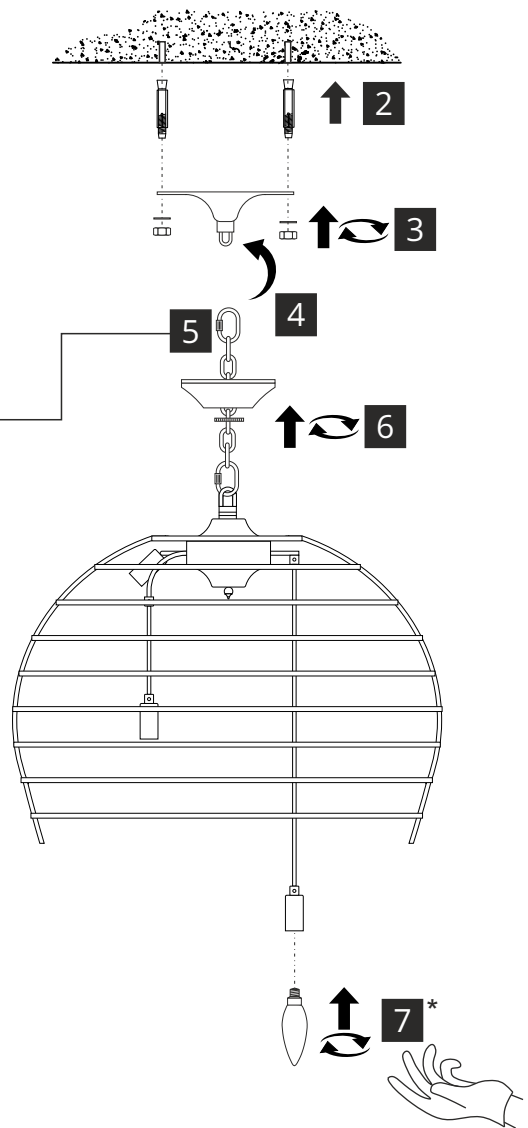


(1) Prior to installation carefully unpack and check all the components and accessories are as per details enclosed.

(2) These instructions should be used in conjunction with the installation guidelines included.



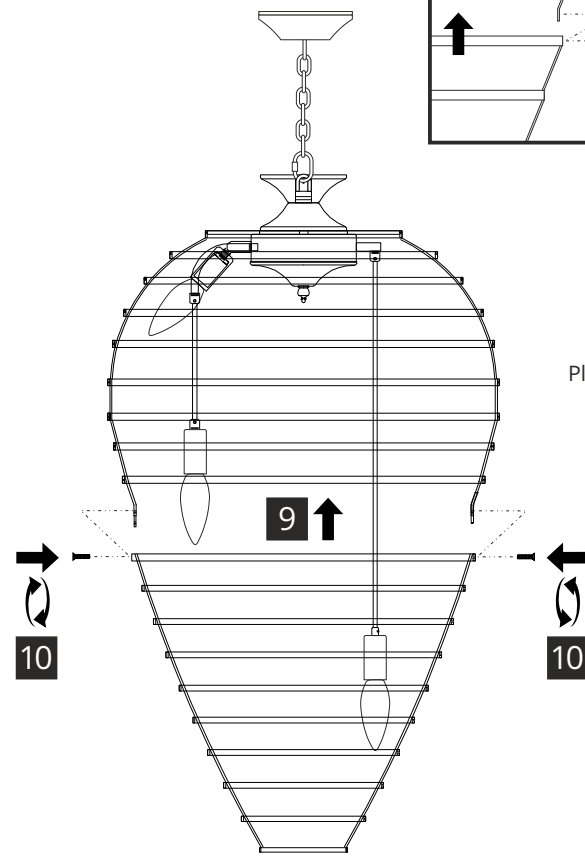
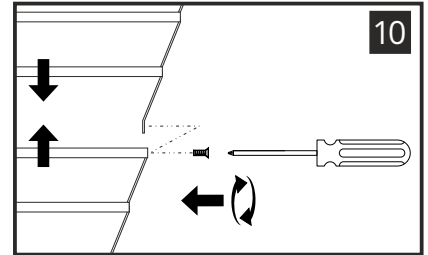
Switch on to test. Switch off and allow lamps to cool down.



Please use the gloves provided.

* Lamps may not be included. Please ensure maximum wattage is not exceeded.

For detailed instructions on lamp replacement see page 3



Please ensure all lamps are working before connecting bottom frame.

Voltage: 220-240V~50/60Hz
Lampholder: SES/E14
Lamps: 16 x LED 20W Max

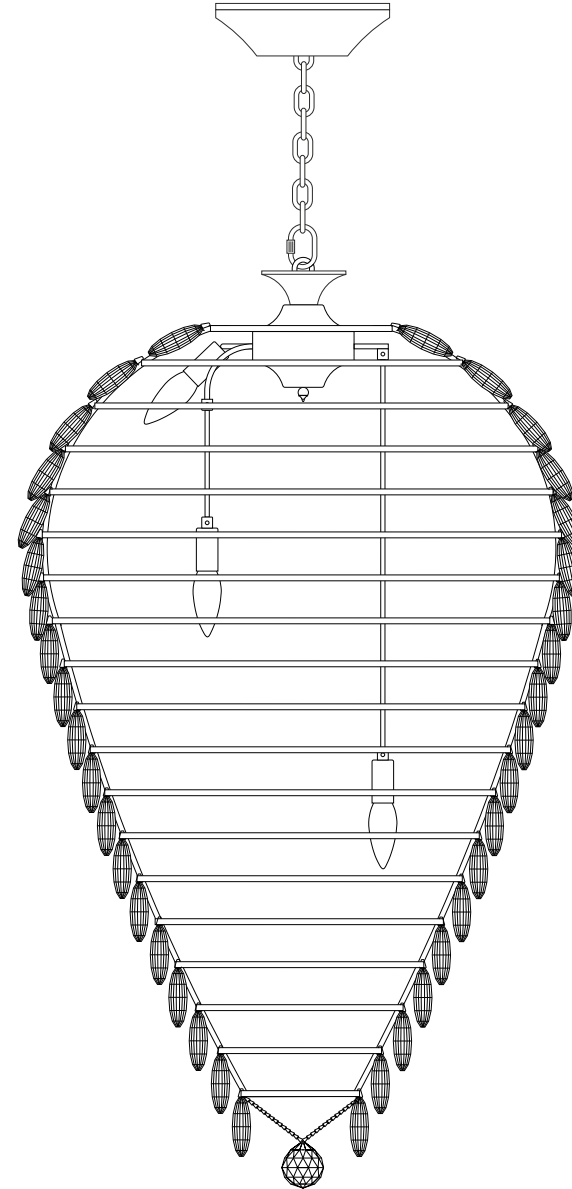
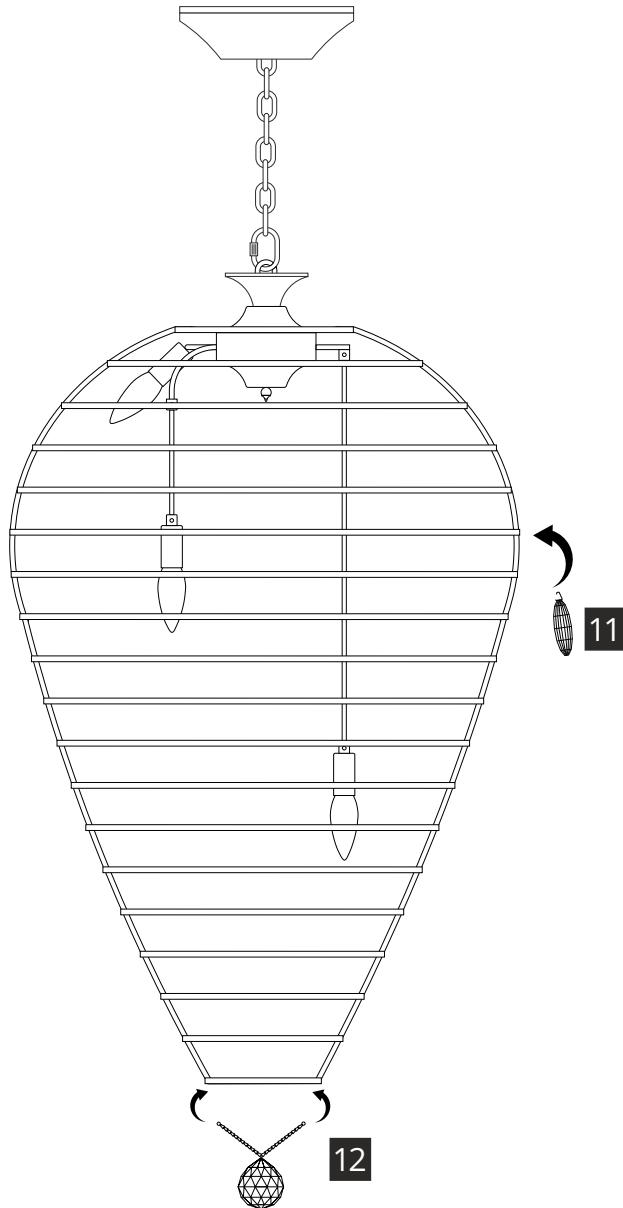
INSTALLATION INSTRUCTIONS

(ILLUSTRATIONS ARE FOR GUIDANCE PURPOSES ONLY.
ACTUAL PRODUCT MAY DIFFER FROM THE IMAGES SHOWN)



(1) Prior to installation carefully unpack and check all the components and accessories are as per details enclosed.

(2) These instructions should be used in conjunction with the installation guidelines included.



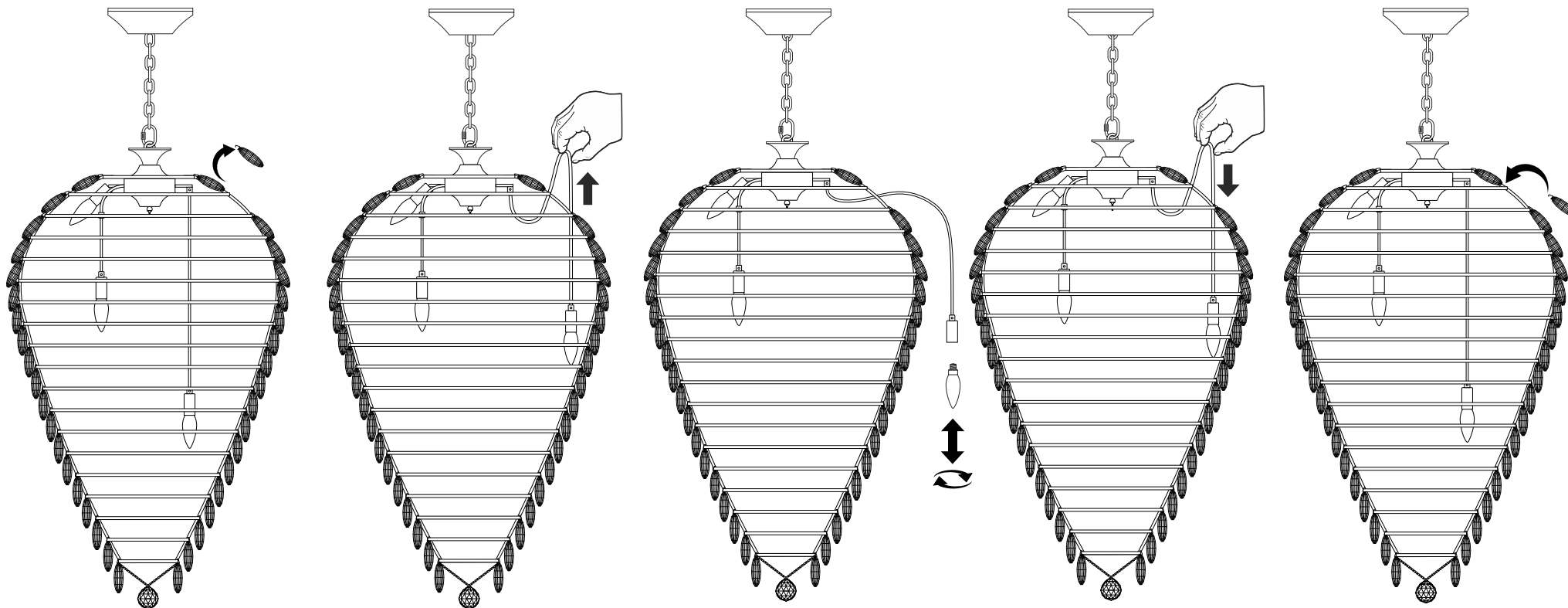
INSTALLATION INSTRUCTIONS

(ILLUSTRATIONS ARE FOR GUIDANCE PURPOSES ONLY.
ACTUAL PRODUCT MAY DIFFER FROM THE IMAGES SHOWN)

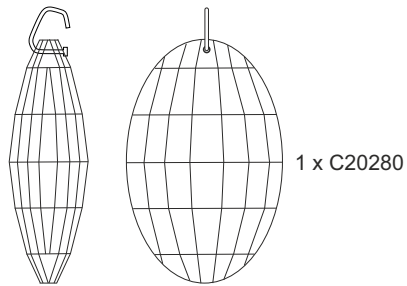


(1) Prior to installation carefully unpack and check all the components and accessories are as per details enclosed.

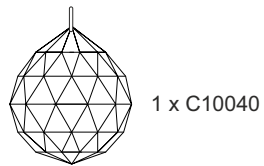
(2) These instructions should be used in conjunction with the installation guidelines included.



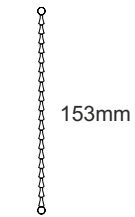
LIST OF COMPONENTS



A



B



C

Crystal Accessories

Crystal Strand A	549 Pcs	
Crystal Strand B	1 Pc	
Chain C	1 Pc	

Installation Pack

White Gloves	2 Pcs	
Installation Instructions	3 Pages	
Installation Guidelines	2 Pages	
Heavy Duty Bolts	4 Pcs	
Mounting Strap	1 Pc	
Spare Crystal Pin	5 Pc	

Contents Checked By