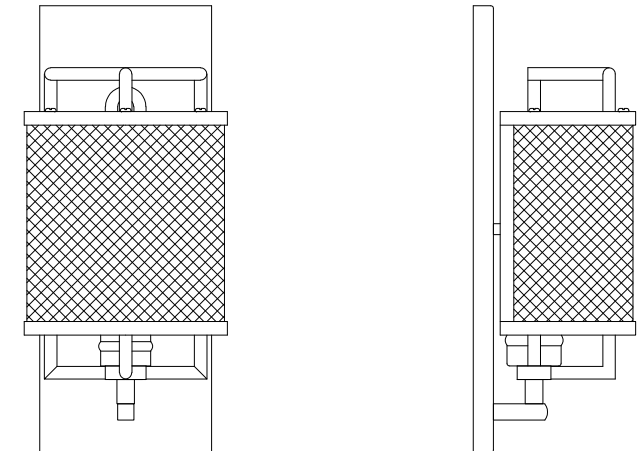
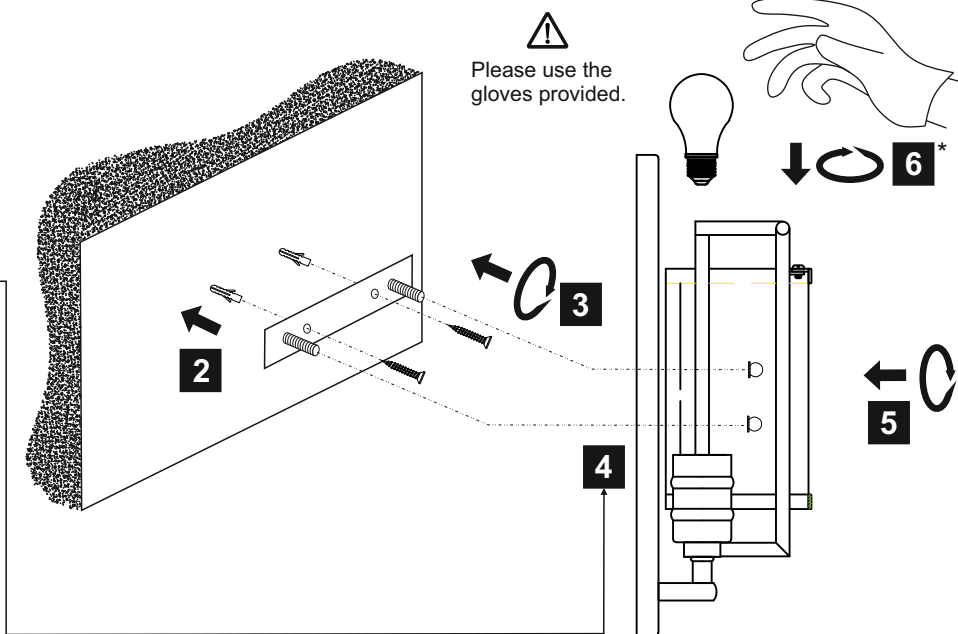
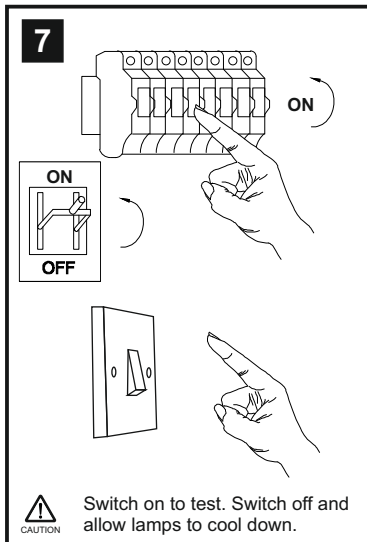
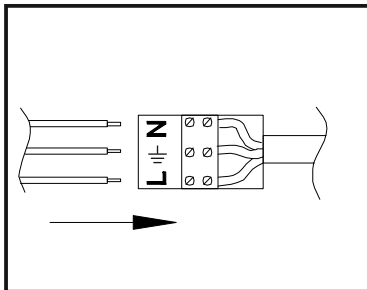
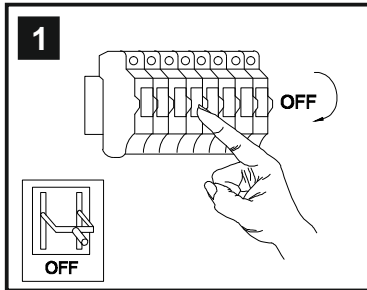


INSTALLATION INSTRUCTIONS

(ILLUSTRATIONS ARE FOR GUIDANCE PURPOSES ONLY.
ACTUAL PRODUCT MAY DIFFER FROM THE IMAGES SHOWN)

⚠ INSTALLATION NOTES

- (1) Prior to installation carefully unpack and check all the components and accessories are as per details enclosed.
- (2) These instructions should be used in conjunction with the installation guidelines included.



* Lamps may not be included.
Please ensure maximum wattage is not exceeded.

Contents Checked By	
---------------------	--

Voltage: 230V - 50/60Hz
Lampholder: ES/E27
Lamps: 1 x 60W Max

COMPATIBLE
 COMPATIBLE
 WITH SUITABLE DIMMER/LAMP
 ES/E27

Installation Pack		
White Gloves	2 Pcs	
Installation Instructions	1 Page	
Installation Guidelines	2 Pages	
Fixing Screw and Plug	2 Sets	

Parker IL31690