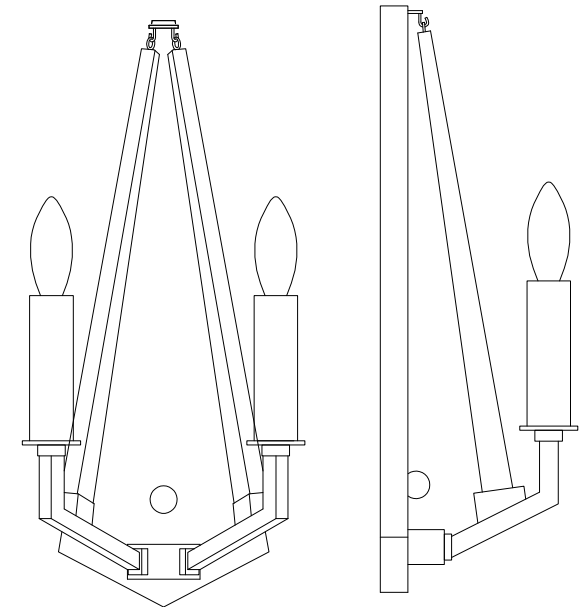
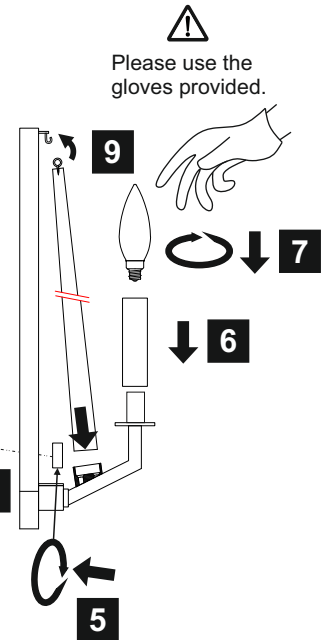
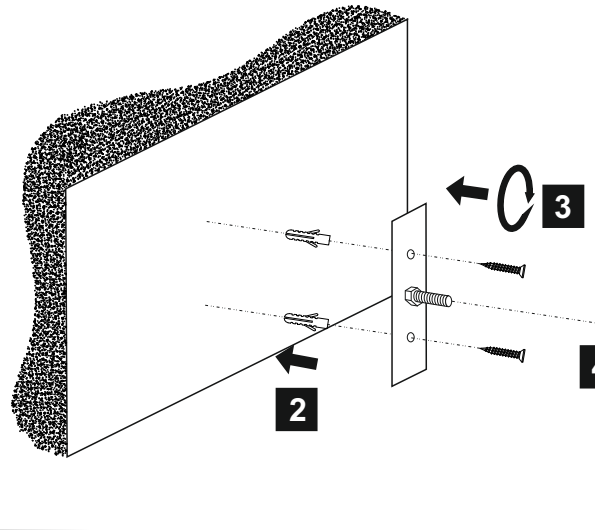
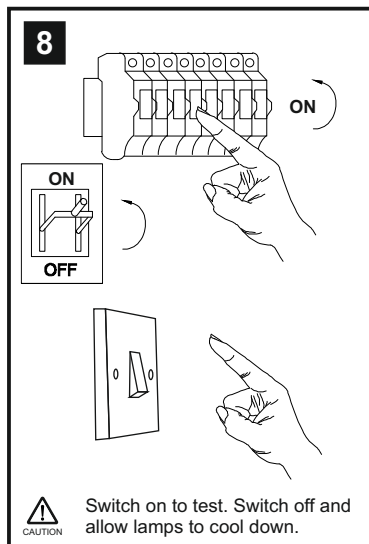
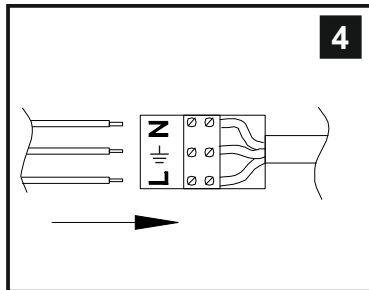
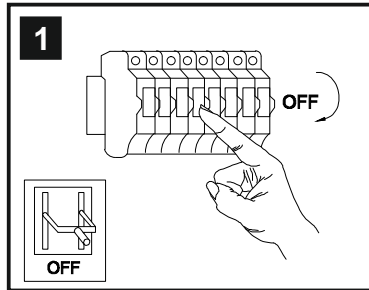


INSTALLATION INSTRUCTIONS

(ILLUSTRATIONS ARE FOR GUIDANCE PURPOSES ONLY.
ACTUAL PRODUCT MAY DIFFER FROM THE IMAGES SHOWN)

⚠ INSTALLATION NOTES

- (1) Prior to installation carefully unpack and check all the components and accessories are as per details enclosed.
- (2) These instructions should be used in conjunction with the installation guidelines included.



* Lamps may not be included.
Please ensure maximum wattage is not exceeded.

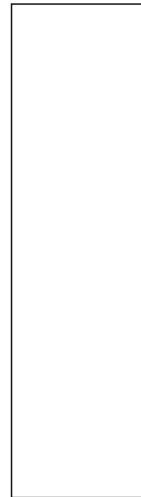
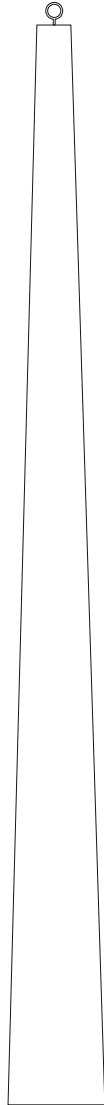
Voltage: 230V - 50/60Hz
Lampholder: E14/SES
Lamps: 2 x 60W Max



Hilton IL31680

diyas®

LIST OF COMPONENTS



Accessories		
Tapered Wood Decoration	2 Pcs	
Lampholder Sleeve 100 x 30mm	2 Pcs	

Installation Pack		
White Gloves	2 Pcs	
Installation Instructions	2 Pages	
Installation Guidelines	2 Pages	
Fixing Screw & Plug	2 Sets	

Contents Checked By	
----------------------------	--

Hilton IL31680