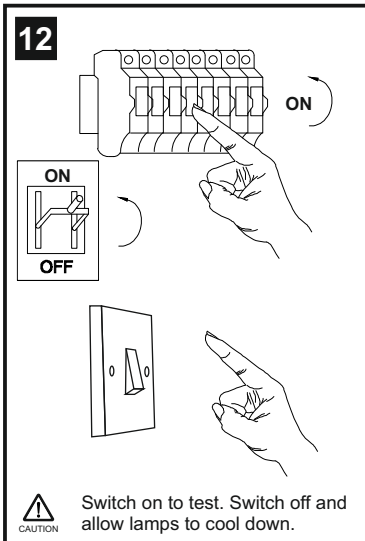
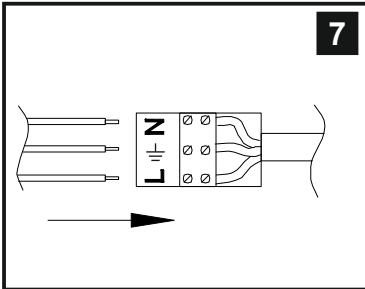
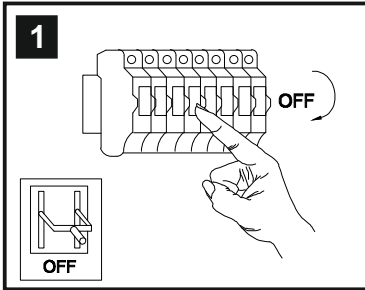


INSTALLATION INSTRUCTIONS

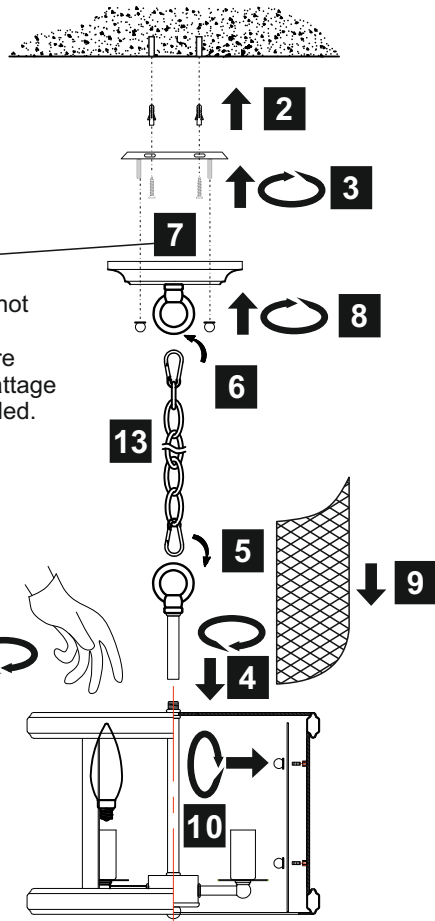
(ILLUSTRATIONS ARE FOR GUIDANCE PURPOSES ONLY.
ACTUAL PRODUCT MAY DIFFER FROM THE IMAGES SHOWN)

- (1) Prior to installation carefully unpack and check all the components and accessories are as per details enclosed.
- (2) These instructions should be used in conjunction with the installation guidelines included.

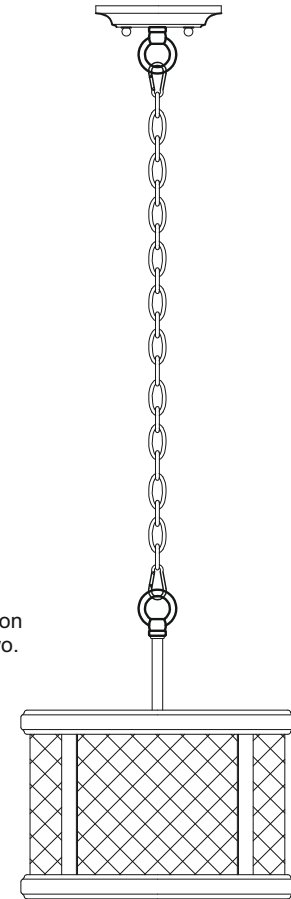


* Lamps may not be included.
Please ensure maximum wattage is not exceeded.

* **11** Please use the gloves provided.



For semi-flush installation please refer to page two.



Voltage: 230V - 50/60Hz
Lampholder: E14/SES
Lamps: 3 x 60W Max



COMPATIBLE



WITH SUITABLE
LAMP/DIMMER



Asia IL31676

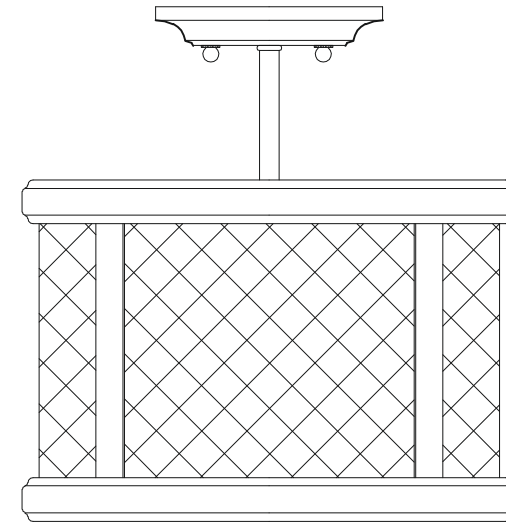
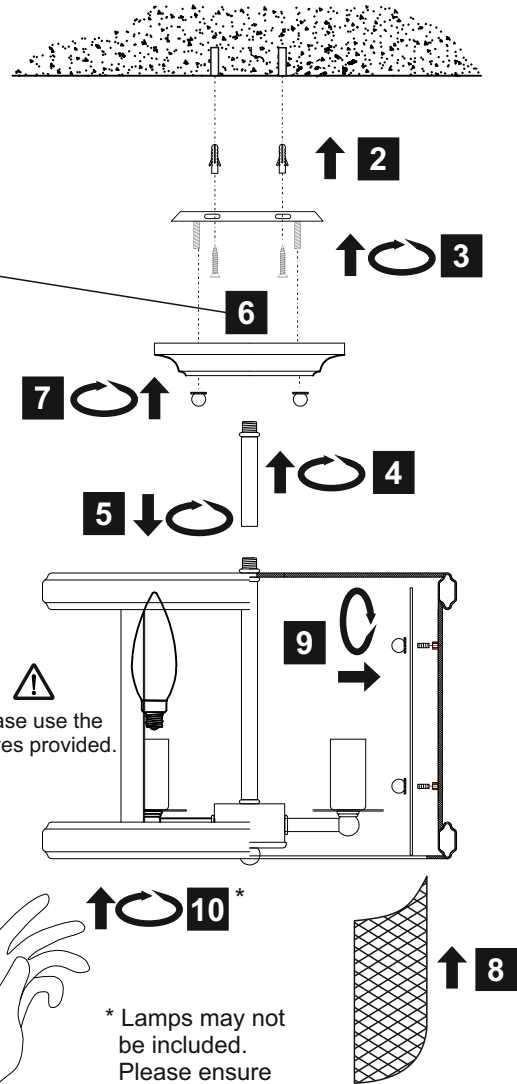
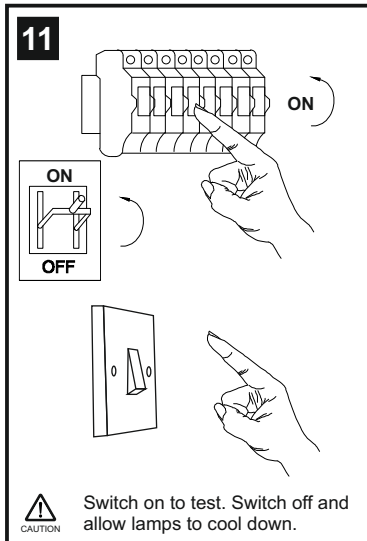
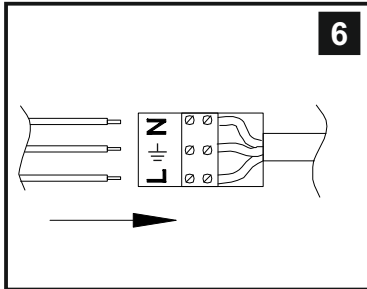
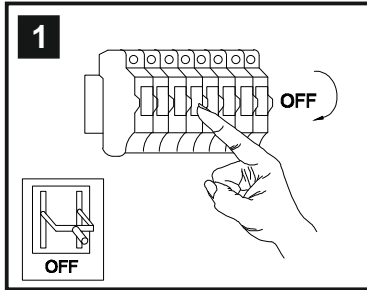
diyas

INSTALLATION INSTRUCTIONS

(ILLUSTRATIONS ARE FOR GUIDANCE PURPOSES ONLY.
ACTUAL PRODUCT MAY DIFFER FROM THE IMAGES SHOWN)

(1) Prior to installation carefully unpack and check all the components and accessories are as per details enclosed.

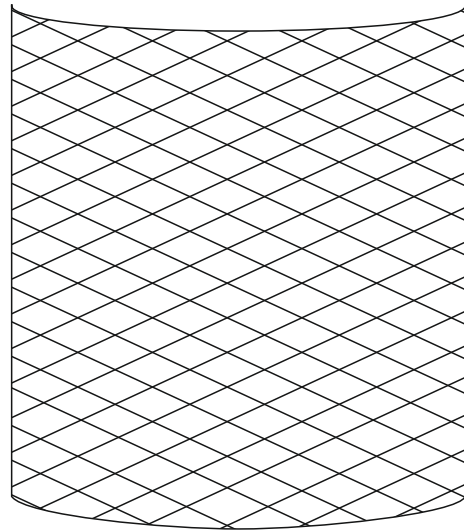
(2) These instructions should be used in conjunction with the installation guidelines included.



Asia IL31676

diyas®

LIST OF COMPONENTS



ILG31676

Accessories		
Glass Shade	3 Pcs	

Installation Pack		
White Gloves	2 Pcs	
Installation Instructions	2 Pages	
Installation Guidelines	2 Pages	
Fixing Screw and Plug	2 Sets	

Contents Checked By	
----------------------------	--

Asia IL31676

