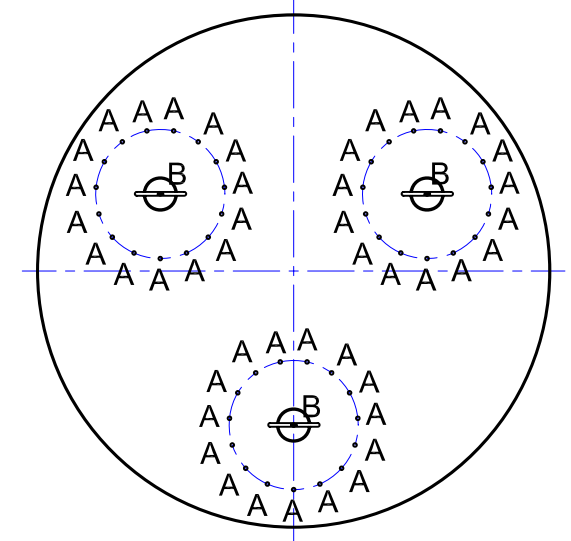
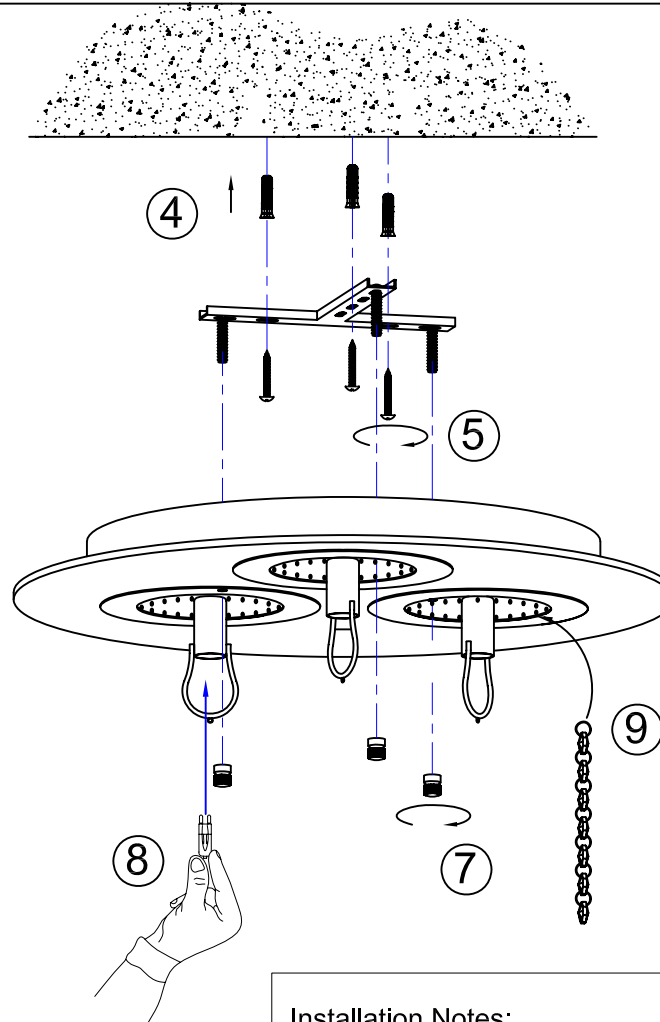
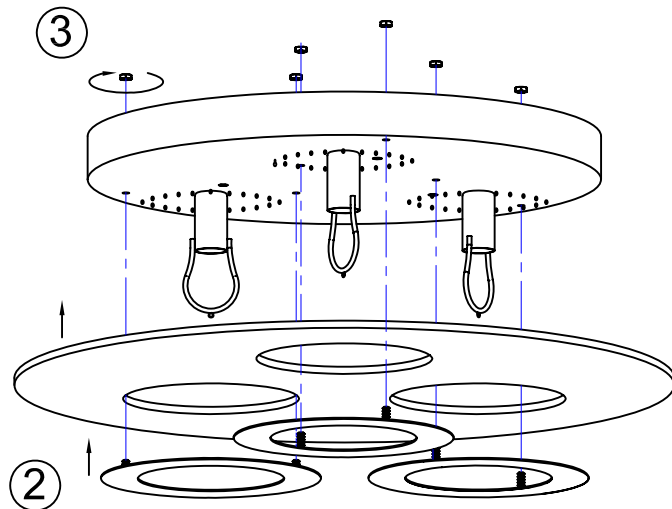
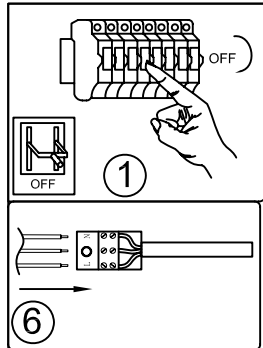


INSTALLATION INSTRUCTIONS



Issue: 022140328

Installation Notes:

- 1: This luminaire is for indoor use only.
- 2: This luminaire requires an earth connection.
- 3: If you want to change a lamp, please switch off the luminaire and wait until lamps are cool.

Voltage: 230V
 Lampholder: G9
 Lamp: 3x MAX 40W
 Frequency: 50Hz

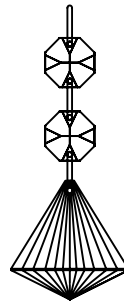
REF: IL31465

diyas[®]

LIST OF COMPONENTS



A



B

Crystal	
Crystal A	45 Pcs
Crystal B	3 Pcs

Installation Pack	
White Gloves	2 Pcs
Assembly Instruction	2 Pcs
General Instruction Leaflet	1 Pc
FIXING SCREW AND PLUG	3 Sets

REF:IL31465

