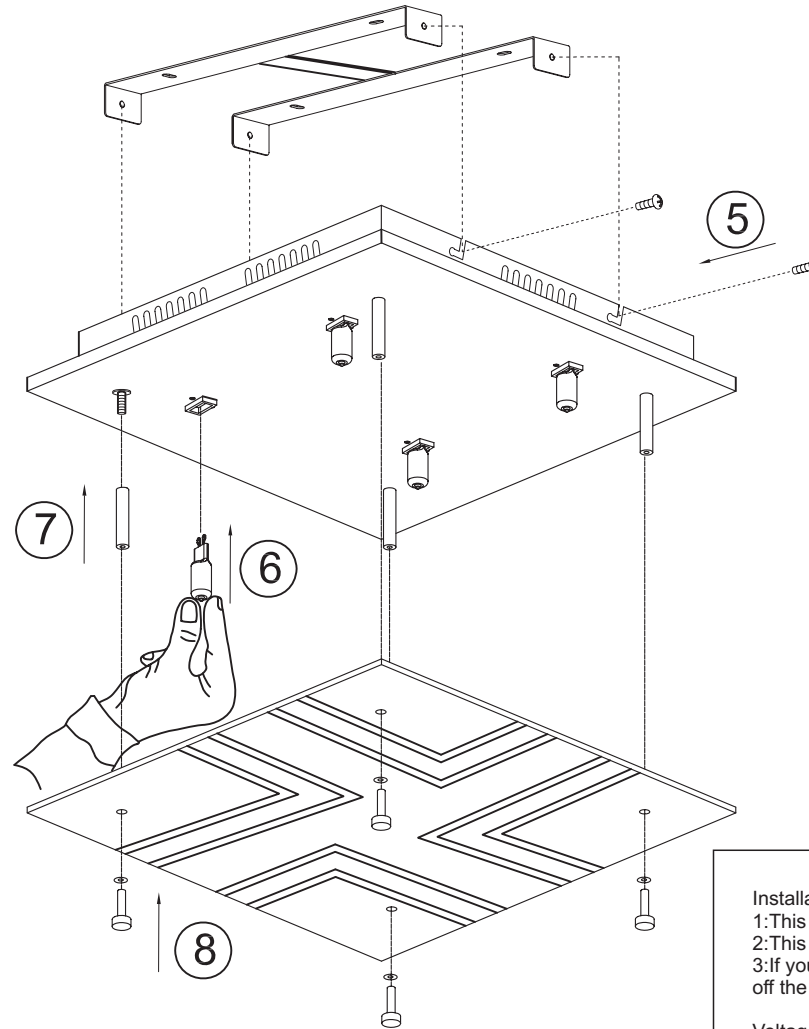
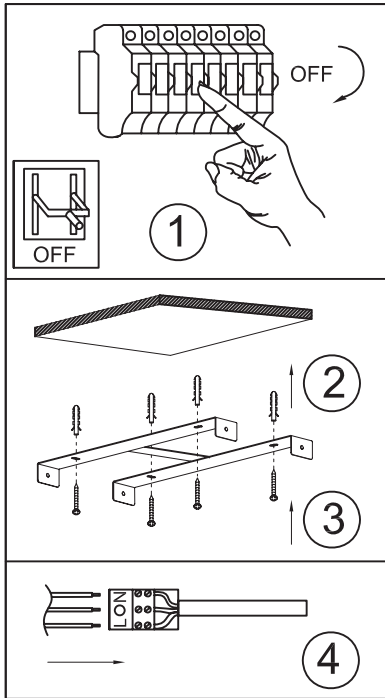


INSTALLATION INSTRUCTIONS



Installation Notes:

- 1: This luminaire is for indoor use only.
- 2: This luminaire requires an earth connection
- 3: If you want to change a lamp, please switch off the luminaire and wait until lamps are cool.

Voltage: 230V
Lamp holder: G9
Lamp: 4x MAX 40W
Frequency: 50Hz

REF: IL31261

diyas

Issue: 035140331