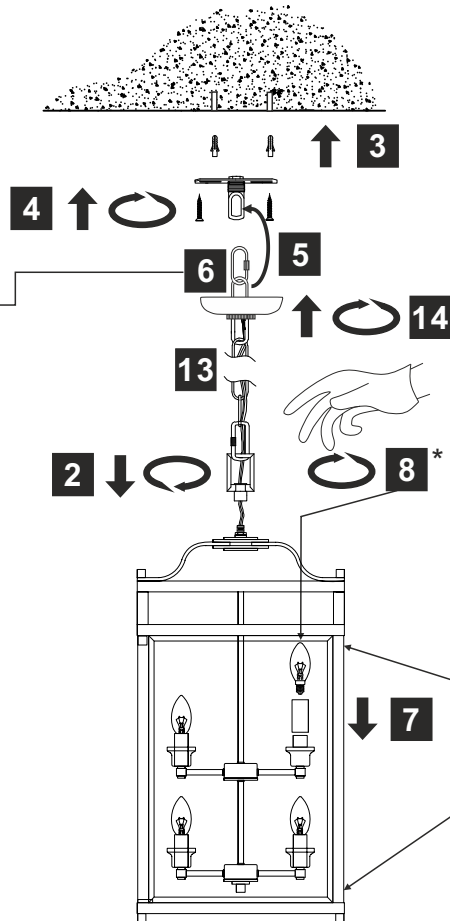
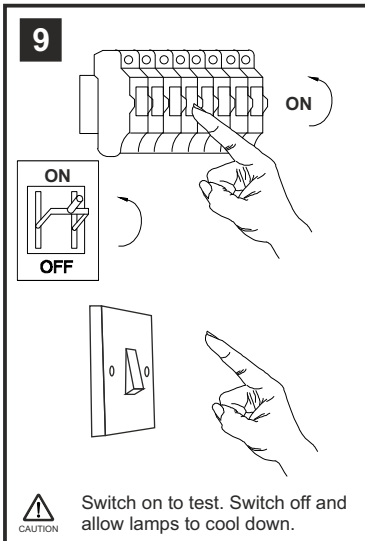
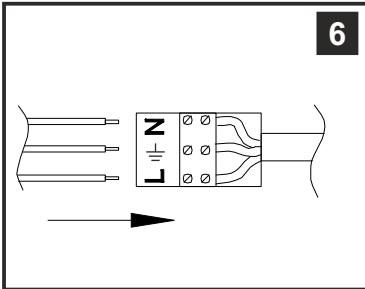
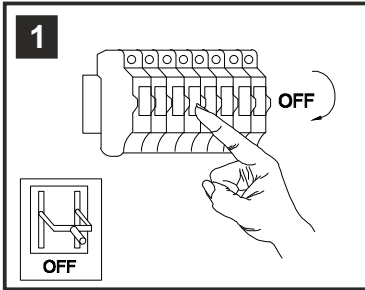


INSTALLATION INSTRUCTIONS

(ILLUSTRATIONS ARE FOR GUIDANCE PURPOSES ONLY.
ACTUAL PRODUCT MAY DIFFER FROM THE IMAGES SHOWN)

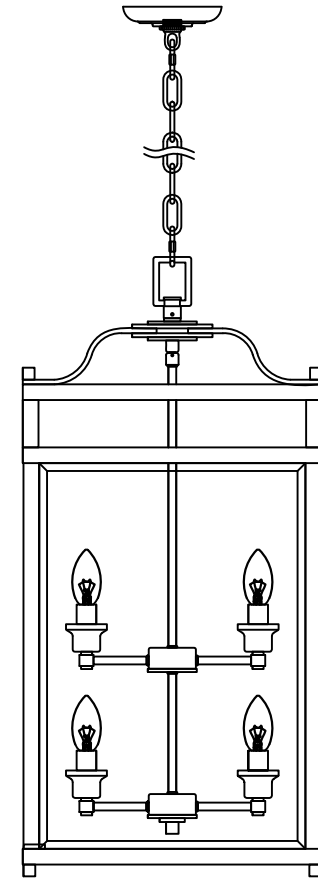


- (1) Prior to installation carefully unpack and check all the components and accessories are as per details enclosed.
- (2) These instructions should be used in conjunction with the installation guidelines included.



Please use the gloves provided.

* Lamps may not be included. Please do not exceed maximum wattage.

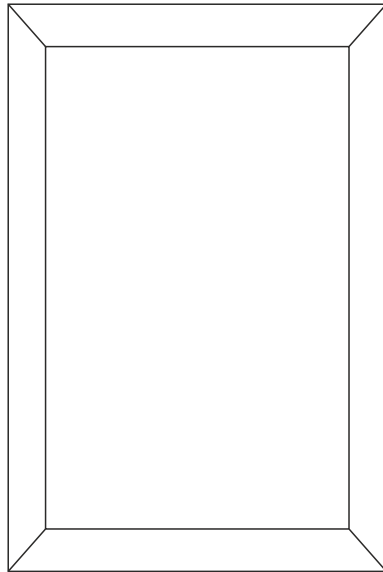


Voltage: 230V - 50/60Hz
Lampholder: E14/SES
Lamps: 6 x 60W Max

COMPATIBLE WITH SUITABLE LAMP/DIMMER

Aston IL31104 / IL31114

LIST OF COMPONENTS



ILG31114



Lampholder Sleeve

Accessories		
Glass Shade	4 Pcs	
Lampholder Sleeve 60mm x 32mm	6 Pcs	

Installation Pack		
White Gloves	2 Pcs	
Installation Instructions	2 Pages	
Installation Guidelines	2 Pages	
Fixing Screw and Plug	2 Sets	

Contents Checked By	
----------------------------	--

Aston IL31104 / IL31114

