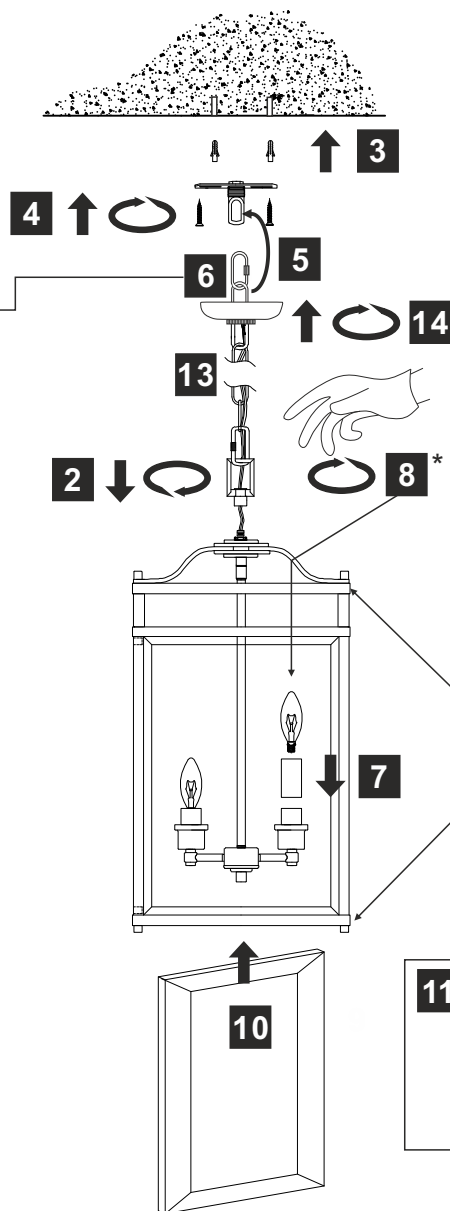
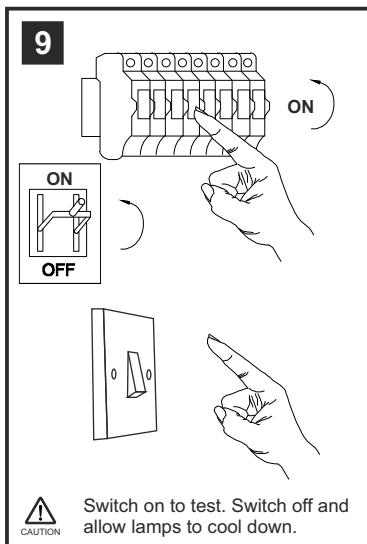
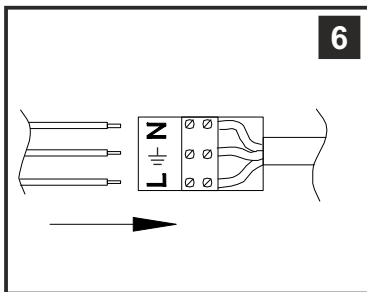
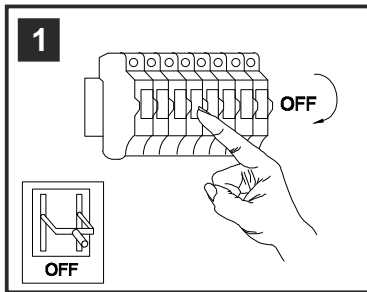


# INSTALLATION INSTRUCTIONS

(ILLUSTRATIONS ARE FOR GUIDANCE PURPOSES ONLY.  
ACTUAL PRODUCT MAY DIFFER FROM THE IMAGES SHOWN)

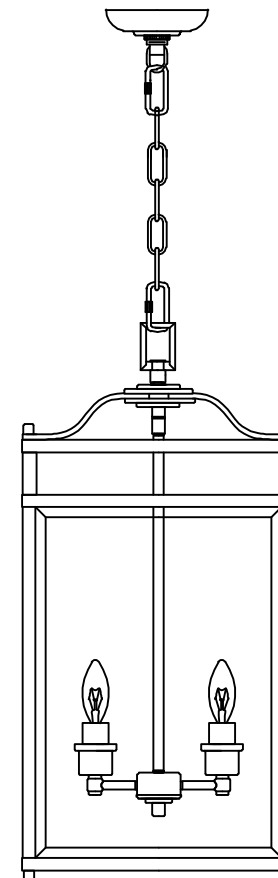


- (1) Prior to installation carefully unpack and check all the components and accessories are as per details enclosed.
- (2) These instructions should be used in conjunction with the installation guidelines included.



\* Lamps may not be included.  
Please do not exceed maximum wattage.

Please use the gloves provided.



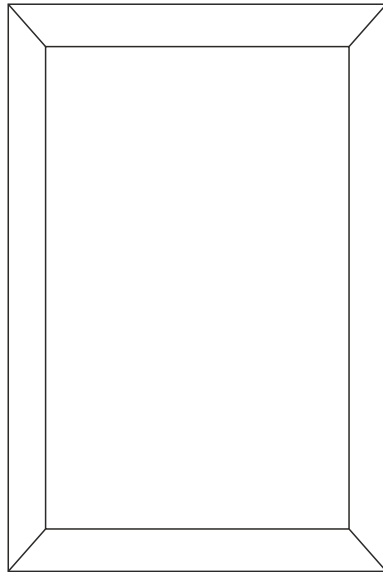
Voltage: 230V - 50/60Hz  
Lampholder: E14/SES  
Lamps: 4 x 60W Max



Aston IL31103 / IL31113

**diy**as®

# LIST OF COMPONENTS



ILG31113



Lampholder Sleeve

Accessories		
Glass Shade	4 Pcs	
Lampholder Sleeve 60mm x 32mm	4 Pcs	

Installation Pack		
White Gloves	2 Pcs	
Installation Instructions	2 Pages	
Installation Guidelines	2 Pages	
Fixing Screw and Plug	2 Sets	

<b>Contents Checked By</b>	
----------------------------	--

**Aston IL31103 / IL31113**

