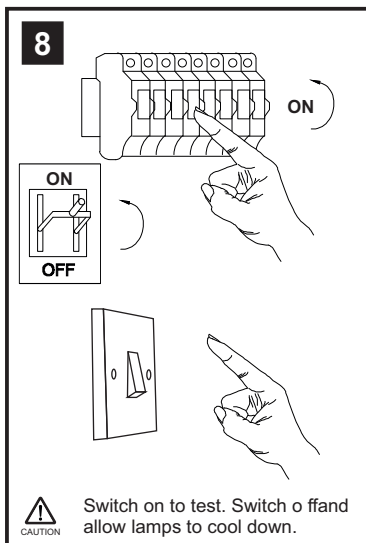
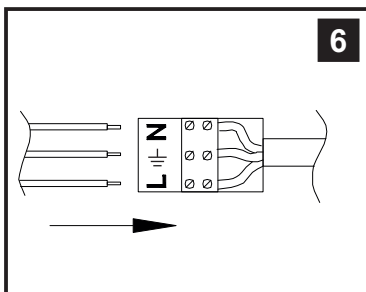
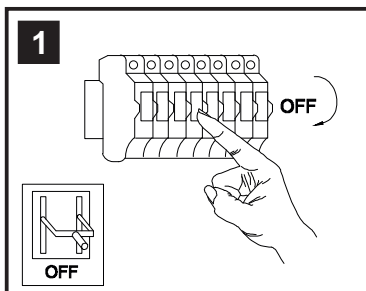


INSTALLATION INSTRUCTIONS

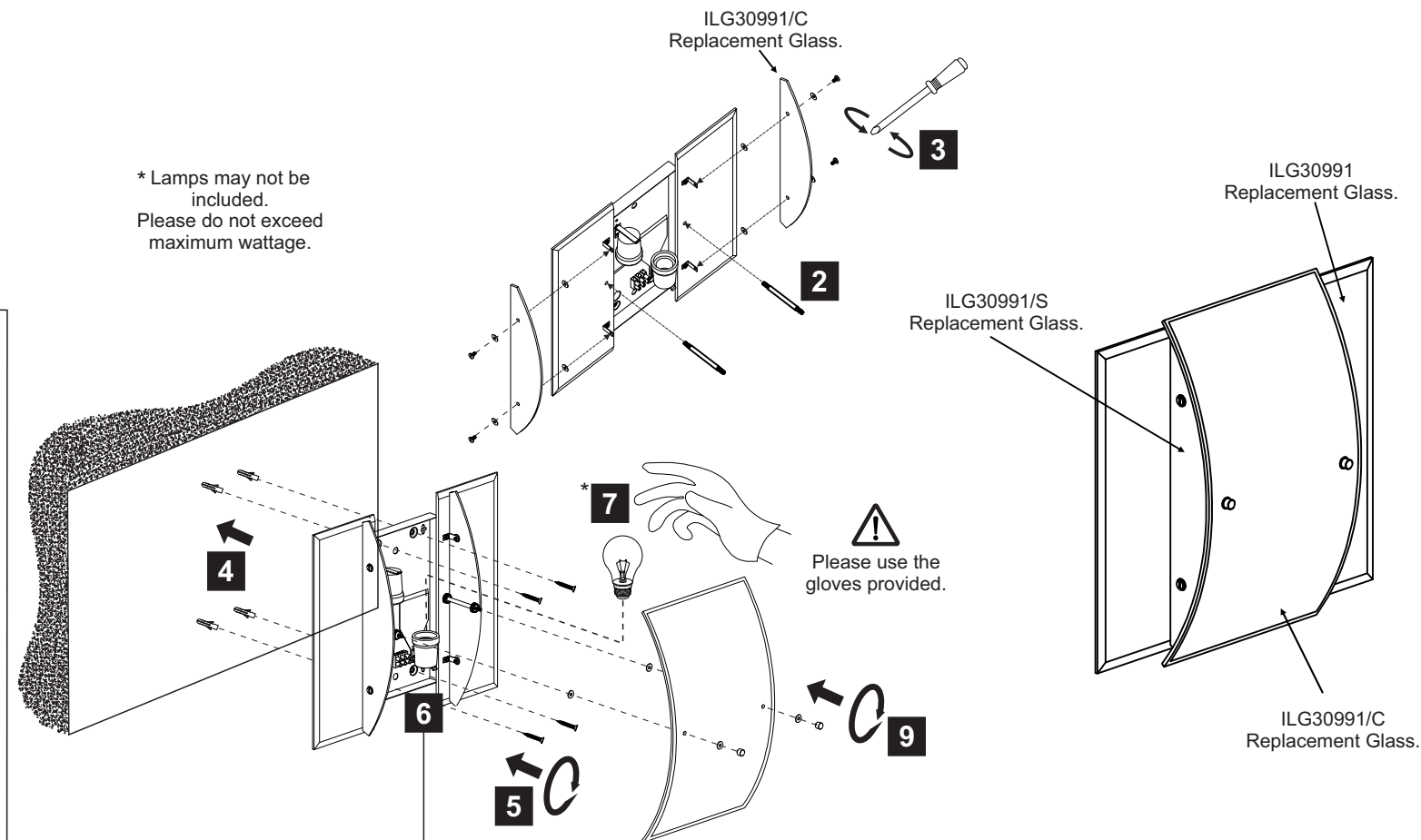
(ILLUSTRATIONS ARE FOR GUIDANCE PURPOSES ONLY.
ACTUAL PRODUCT MAY DIFFER FROM THE IMAGES SHOWN)

⚠ INSTALLATION NOTES

- (1) Prior to installation carefully unpack and check all the components and accessories are as per details enclosed.
- (2) These instructions should be used in conjunction with the installation guidelines included.



* Lamps may not be included.
Please do not exceed maximum wattage.



Voltage: 230V - 50/60Hz
Lampholder: E27/ES
Lamps: 2 x 60W Max



CE

COMPATIBLE

WITH SUITABLE
DIMMER/LAMP



LED

ES/E27

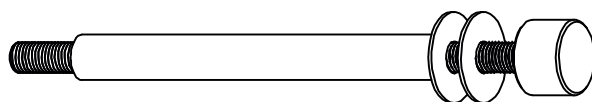


INCANDESCENT

Vito IL30991

diyás®

LIST OF COMPONENTS



Assembly Part A

Installation Pack		
White Gloves	2 Pcs	
Installation Instructions	2 Pages	
Installation Guidelines	2 Pages	
Fixing Screw & Plugs	4 Sets	
Assembly Part A	2Pcs	

Contents Checked By	
----------------------------	--

Vito IL30991

The logo for diyias, featuring the word "diyias" in a bold, lowercase, sans-serif font. The letter "i" is stylized with a curved line above it, resembling a drop or a hook. A registered trademark symbol (®) is located at the top right of the "s".