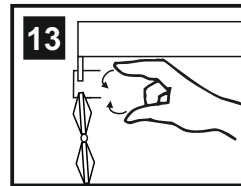
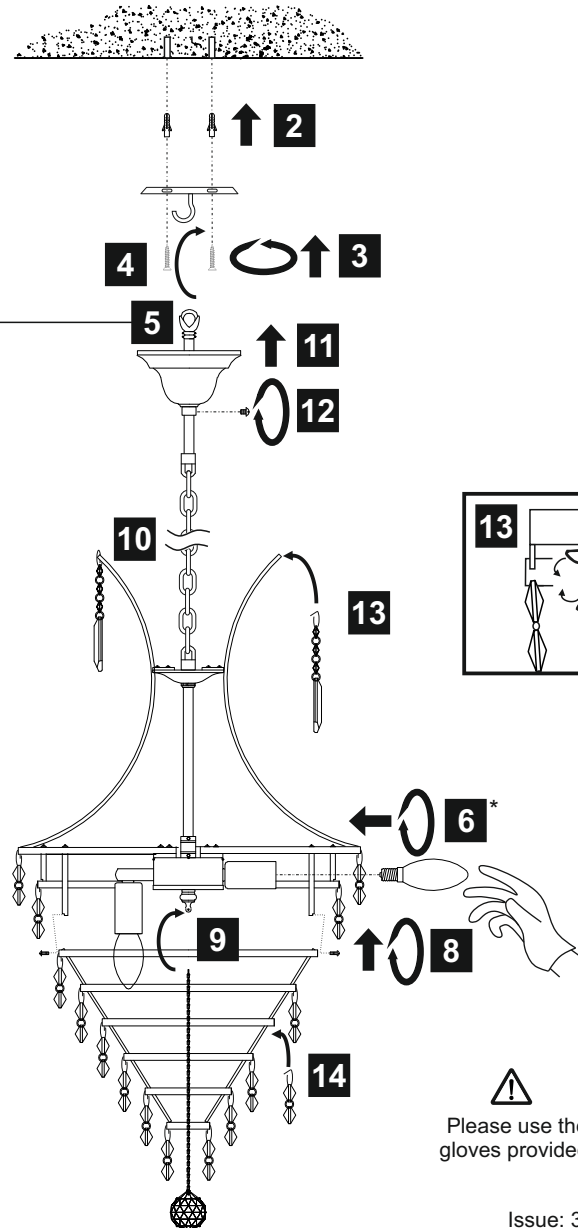
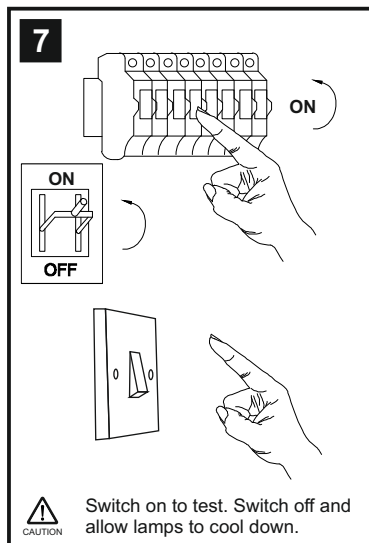
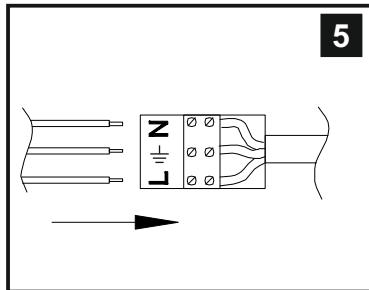
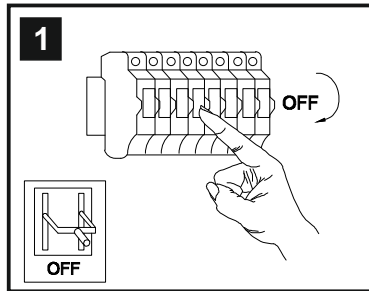


# INSTALLATION INSTRUCTIONS

(ILLUSTRATIONS ARE FOR GUIDANCE PURPOSES ONLY.  
ACTUAL PRODUCT MAY DIFFER FROM THE IMAGES SHOWN)



- (1) Prior to installation carefully unpack and check all the components and accessories are as per details enclosed.
- (2) These instructions should be used in conjunction with the installation guidelines included.



\* Lamps may not be included.  
Please ensure maximum wattage is not exceeded.

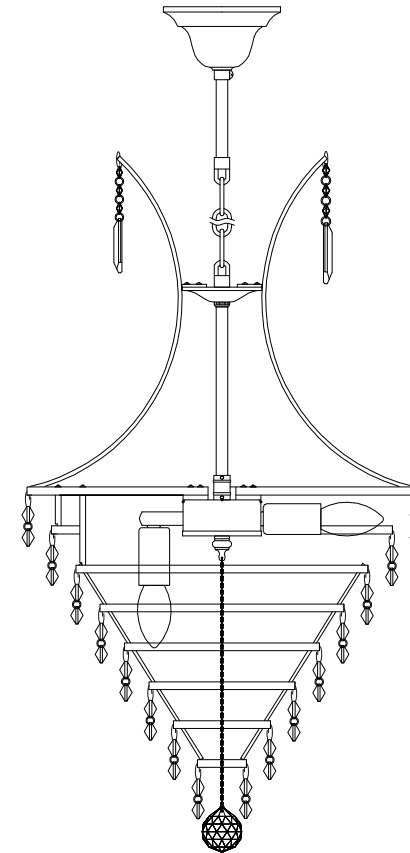


Please use the gloves provided.

**Voltage:** 230V - 50/60Hz  
**Lampholder:** SES/E14  
**Lamps:** 8 x 60W Max



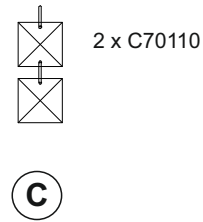
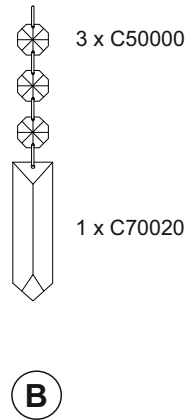
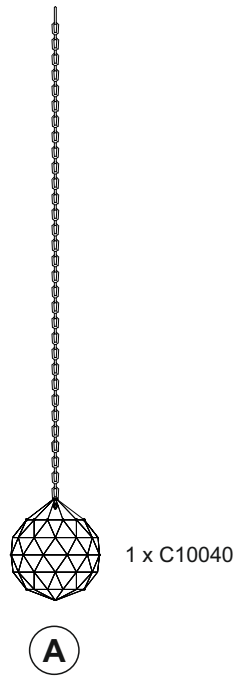
SES/E14



**Kanya IL30019**

**diyás**

# LIST OF COMPONENTS



## Crystal Accessories

Crystal Strand A	1 Pc	
Crystal Strand B	8 Pcs	
Crystal Strand C	288 Pcs	

## Installation Pack

White Gloves	2 Pcs	
Installation Instructions	2 Pages	
Installation Guidelines	2 Pages	
Fixing Screw and Plugs	4 Sets	
Additional Crystal Links	6 Pcs	

**Contents Checked By**

## Kanya IL30019

