

7. Undo the two screws holding the lampholder in place and lift out. You may also need to undo the earth screw on the body as well.
8. Undo the gland(s) at the bottom of the unit and pull the wire through as shown. If the cable is being looped through to other units then pull that wire through at the same time. Ensure that the wire is fitted correctly in the centre of the gland. Re-assemble the gland, but do not tighten yet.
9. Connect the supply wires to the product terminal block as shown. Ensure that you have correctly identified the wires, that the connections are tight and no loose strands have been left out of the connection block.
10. Push the wiring carefully back into the fitting and refit the lampholder bracket into position.
11. Ensure that the wiring is pulled through the glands and then tighten them properly.
12. Replace fuse or circuit breaker and switch on. Your light is now ready for use.

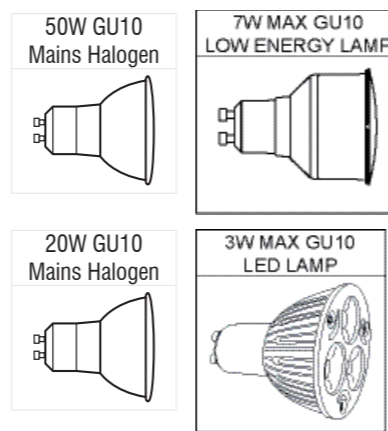
### Fitting / Replacing Bulbs

When changing a bulb, always switch off at the mains and allow the bulb to cool before handling. Dispose of used bulbs carefully. Do not exceed the wattage stated or use a different shape bulb from that indicated on the fitting.

Unscrew the four screws on the front bezel using the supplied tool. Lift off the bezel and glass and set aside.

Push the bulb in to the lampholder and twist anticlockwise to remove. To refit bulb, reverse procedure.

When replacing the bezel, tighten the screws one at a time until they do not tighten any further. Some may have to be re-tightened two or more times as screwing down one side will raise the opposite side due to the way the seal squashes between the bezel and body of the fitting.



### Care and Cleaning

We recommend cleaning with a soft dry cloth.

Do not use solvents or abrasive cleaners as these could damage the finish.

Glass parts - Remove and wash in warm water or just use a damp cloth. Do not use abrasive materials as these will damage the finish.

To prolong the life and keep your outdoor lighting in good condition, it is recommended that periodically it is cleaned using a soft cloth followed by the application of a light coating of oil, such as WD40.

### Recycling Advice

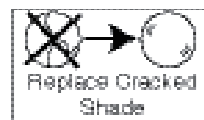


Waste electrical products should not be disposed of with household waste. Please recycle where facilities exist. Check with your Local Authority or retailer for recycling advice.

### Safety Information

For your safety, always switch off the supply before maintaining this product.

This system contains non-replaceable parts and cannot be serviced. If damage occurs the part should be scrapped.



The shade must be replaced immediately should the shade become cracked or damaged. This fitting must not be used without the shade in place.



Saxby Lighting Ltd. BH23 3PE

# saxby

lighting



## Pillar Ground Recessed

GH88042V - Square

GH98042V - Round

Thank you for purchasing this light fitting.  
Please read the instructions carefully before use to ensure safe and satisfactory operation of this product.  
Please retain these instructions for future reference.

## Warning

### This is a Class I product and must be earthed.

Please read these instructions carefully before commencing any work.  
This system operates at Mains Voltage (240V), and must be installed by a qualified electrician and in accordance with IEE Wiring Regulations and current Building Regulations.  
An appropriate outdoor mains cable must be used to power this product.  
To prevent electrocution switch off mains supply before installing or maintaining this fitting. Ensure other persons cannot restore the supply without your knowledge. If you are in doubt, consult a qualified electrician.  
This light fitting should be connected to a circuit with a 30mA RCD fitted.  
If replacing an existing fitting, make a careful note of the connections.  
Always use the correct type and wattage bulb. Never exceed the wattage stated.  
When changing a bulb, always switch off at the mains and allow the old bulb to cool down before handling.  
Dispose of used bulbs carefully and responsibly.  
This luminaire is designed for outdoor installation and is rated at IP65.  
This will require an appropriate outdoor rated junction box (not supplied).  
This product is not suitable for location in or near a marine environment.  
This product is unsuitable for immersion in water or very wet areas.

**The product bezel and glass get very hot whilst in use, care must be taken in locating this product**  
**This fitting is designed for recessed vertical ground use only. Do not install it horizontally in a wall.**

## Specification

Voltage: 240V 50Hz a.c.

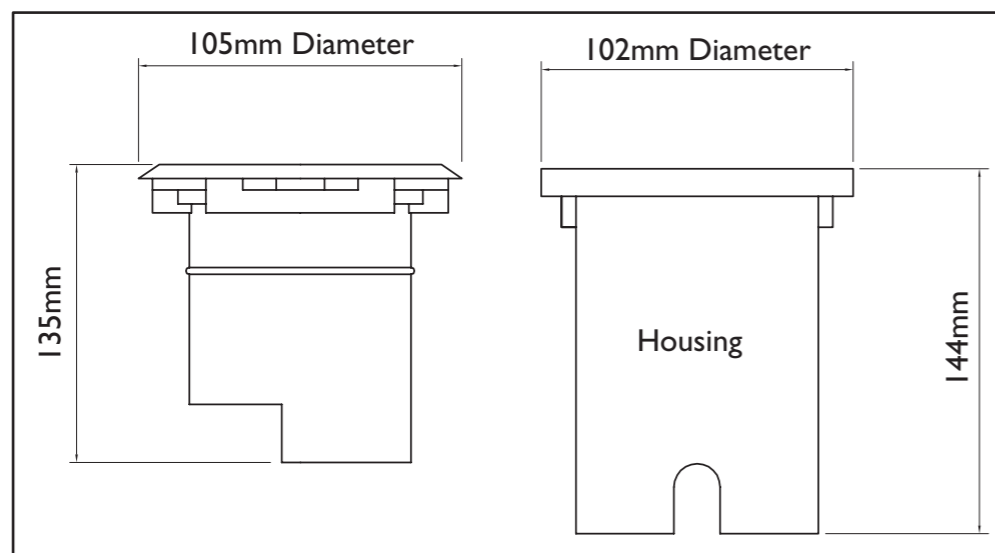
Lamp type 1 x 50W GU10 Halogen

IP rating: 65

Please note this product is dual IP rated.

The cable gland is IP65 however all other seals are

IP65 rated and are not suitable for total immersion.



## Layout

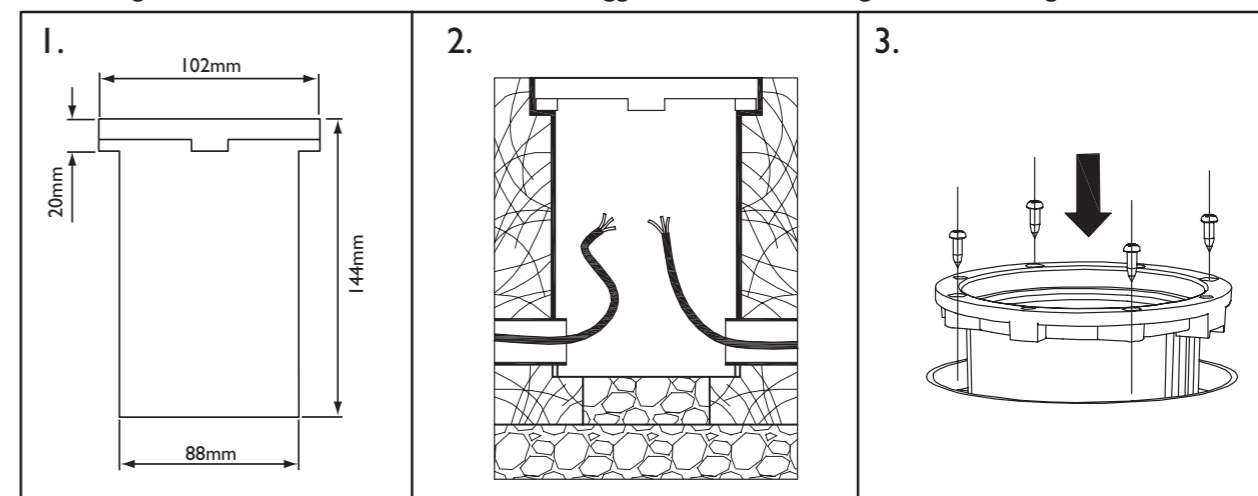
- Plan the desired layout of this fitting carefully, ensuring the cables will reach the distance between the junction box and the light fitting.
- Avoid locating any cables in positions that would cause a hazard. Position cables and outdoor rated junction boxes (not supplied) away from areas where they may be at risk from being cut, trapped or damaged.
- We recommend that you use H05RN-F specification cable (not supplied) which is an outdoor grade, rubber sheathed cable. The mains supply cable must have a minimum cross sectional area of 1.0mm<sup>2</sup>
- Cables must be protected using suitable conduit or plastic trunking.

## Installation

- Undo the four allen screws holding the bezel and glass shade in place. Set aside.
- Undo the four self tapping screws holding the cast fitting to the plastic housing. Separate the casting from the housing by pulling gently. Set the cast fitting aside.

## Concrete or Patio Fitting

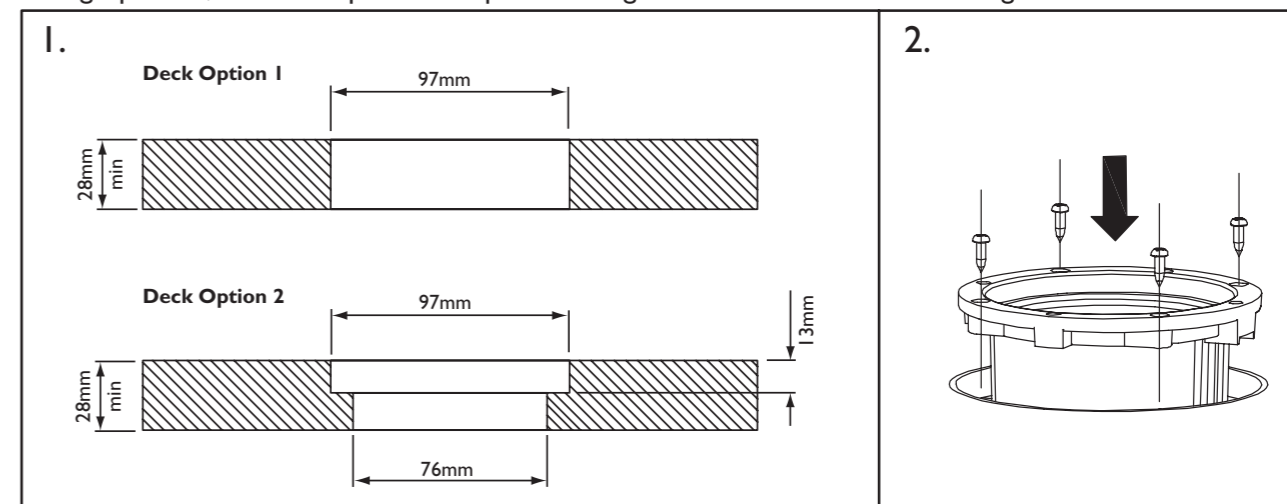
- The product must be mounted in the supplied housing. The product must not be installed into soil.
- Form a T shaped cutout to fit the housing into. The dimensions of the housing are given below in Fig. 1. Ensure that the counterbore at the top is used to hold the housing in position. Ensure that there is adequate drainage below the product.
- Position the conduit or plastic trunking at the grooves in the side of the housing and pull the cable through as shown in Fig. 2. Ensure that the cables are not snagged. Screw the fitting to the housing.



## Decking Fitting

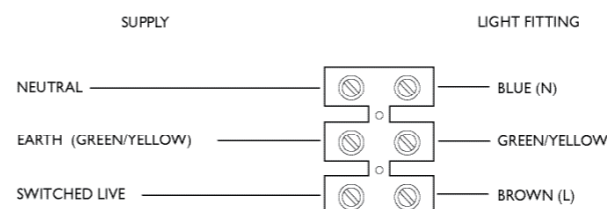
If fitting this product in decking subject to foot traffic then we would recommend that CFL or LED bulbs are used. If a halogen lamp is required then a 20W lamp should be fitted.

- Two options can be used to fit this product to a deck.
  - Option 1 - Drill a 97mm diameter hole. The product will sit in loose in position resting on the stainless steel bezel, but will not be secured. Ensure that there is enough slack cable to allow the product to be lifted out when changing the bulb. The fitting can be lightly held in position using silicone sealant.
  - Option 2 - Drill a 76mm diameter hole. Machine a 97mm diameter by 13mm deep counterbore. The product can then be secured.
- Ensure that conduit or plastic trunking is used to house the cables. Ensure that the cables are not snagged.
- If using option 2, screw the product in place through the four holes in the housing into the surface



## Wiring

Having correctly identified the wiring from your existing light fitting, connect to the approved outdoor rated external terminal block in the following way:



### Check that....

You have correctly identified the wires.  
The connections are tight.  
No loose strands have been left out of the connection block.  
Ensure that all cord grips are tightly secured on the approved outdoor rated external terminal block.  
Ensure that all seals are re-fitted correctly to the approved outdoor rated external terminal block.