

INSTRUCTION MANUAL

Safety Warnings

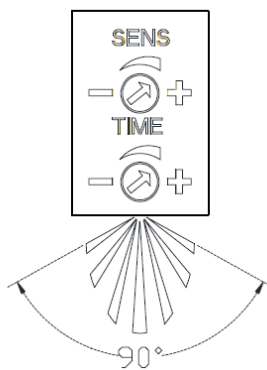
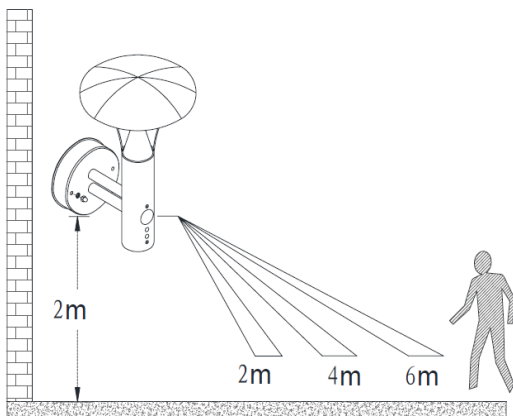
This product is only suitable for connection to a 240V~50Hz supply.

It is recommended that this wall light is installed by a qualified electrician in accordance with current IEE Wiring Regulations and local Building Regulations and is for the Domestic environment only.

The light fitting should be connected to a lighting circuit protected by a 5 amp fuse (or a 6 amp miniature circuit breaker).

This light has an IP44 (splash proof) rating suitable for use outdoors.

The detection range (angle / distance) and optimum mounting height is shown here. Use this information before you choose a mounting position. Do not mount where the PIR can be activated by heat sources such as central heating vents, animals, traffic etc.



sensor time:
min: (10±5) seconds
max: (4±1) minutes

Run supply wire from a 5-amp electrical supply using double insulated 3-core cable of type H05RN-F 1.0mm² (not supplied) to selected site, ensuring it is adequately protected through the full length of the cable run, it must come out of the mounting surface in line with the entry to the fitting.

Except where installed in a conduit or duct, which provides equivalent protection against mechanical damage, a cable buried in the ground shall incorporate an earthed armour or metal sheath or both, suitable for use as a protective conductor, or be of insulated concentric construction. Buried cables shall be marked by cable covers or a suitable marking tape. Buried conduits and ducts shall be suitably identified. Buried cables, conduits and ducts shall be at a sufficient depth to avoid being damaged by any reasonably foreseeable disturbance of the ground.

This product contains breakable parts – be careful during handling and maintenance to avoid breakage.

This light fitting uses none-replaceable LED's.

We recommend that you do not stare directly into the light beam (of the LED's).

If any part of the (LED) housing is broken or cracked then it cannot be replaced and the fitting must not be used - as the water ingress protection has been compromised.

IMPORTANT: To achieve maximum corrosion resistance the surface of the Stainless Steel must be kept clean. Surface contamination and the formation of deposits are critical factors which may lead to drastically reduced life. An example is salt deposits from marine conditions. Washing with soap or a mild detergent and warm water followed by a clean water rinse and finally wiping dry is usually adequate for most S/S items used in the domestic environment.

If any modification is made it will invalidate the warranty and may render the product unsafe.

Before you start

Please read these instructions carefully before fitting your new light and retain for reference.

Switch off the mains supply and remove the appropriate fuse or switch off the appropriate circuit breaker before commencing installation.

Ensure that no one else has access that would enable the supply to be inadvertently reconnected.

Check the packaging and make sure that you have all the required parts.

Follow each assembly step in order to prevent incorrect assembly

Make sure all screws / nuts, including electrical connections etc are fully tightened before use.

DO NOT CONNECT THIS PRODUCT TO A DIMMER SWITCH.

The Light pack contains:

Wall light with PIR detector (with integral photocell)

The following tools may be required:

Selection of cross and flat head screwdrivers.

Electric drill and assorted drill bits.

Wire strippers.

Electrical insulation tape.

These assembly diagrams are intended as a guide – if in doubt consult a qualified electrician.

Diagram A

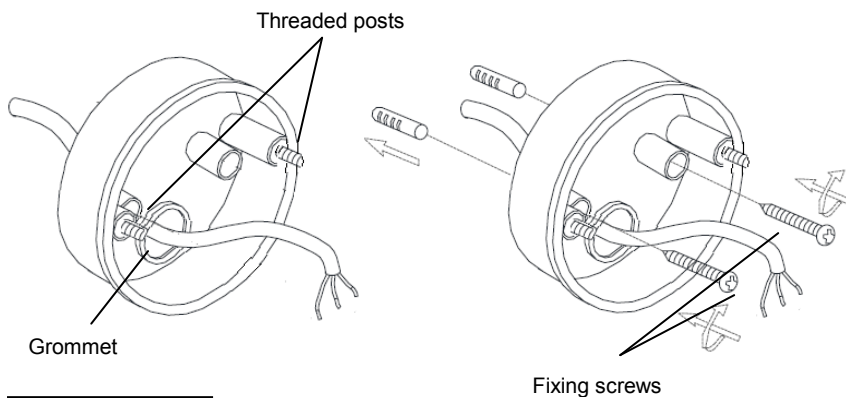


Diagram B

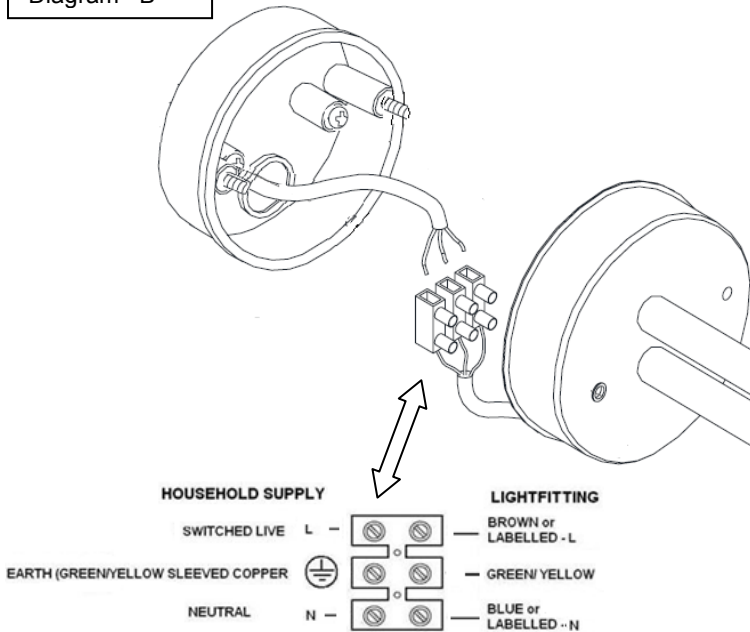
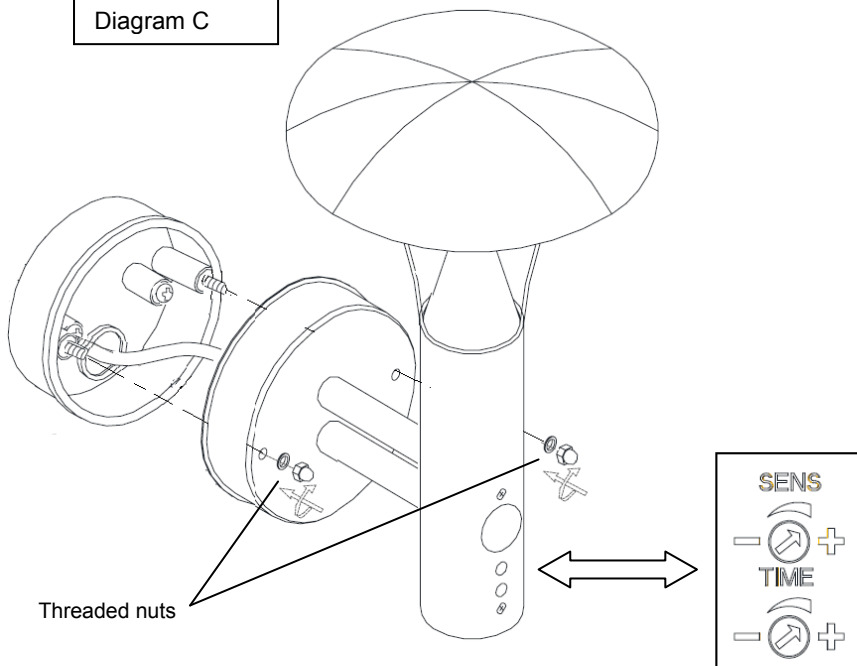


Diagram C



1. Determine the position of your light fitting taking into account the optimum mounting / detection height (2M). Make sure there is sufficient cable coming out of the wall to connect to the terminal block. Ensure that the mounting surface is solid, preferably a brick or block wall and ensure that there are no other cables or pipes beneath the surface.
2. **Diagram A.** Fit the 2 threaded posts in the back plate and bring the mains cable through the rubber grommet then use the back plate as a template and mark the 2 fixings holes, making sure the back plate is the correct way up and the threaded bolts are horizontal. Use appropriate fixings to secure the back plate to the wall.
3. **Diagram B.** Connect the house wiring to the internal terminal block. The cable entry grommet and the back plate seal must be securely in place to ensure that the water ingress protection is maintained. **NOTE: This is a Class I fitting and must be earthed.** Connect the incoming mains as per the diagram
4. **Diagram C.** Fit the terminal block onto the post in the back plate and then fit the front frame over the 2 threaded bolts in the back plate. Secure with the 2 threaded nuts / clear washers. Take care not to trap or strain the internal cables..
5. **To Test the Lantern. Turn on the power.** To test the PIR unit in daylight, turn both the timer dial (TIME) and the Sensitivity dial (SENS) gently fully anticlockwise with the blade of a small screw driver. Activate the PIR by covering the PIR lens with your hand. The unit will light and should stay on for approximately 5-15 seconds then go off. It will remain off until the light level drops.
6. **To adjust Time On.** By adjusting the **TIME dial** the unit will stay on (once activated) from 5 -15 seconds (fully anticlockwise) to 3 -5 minutes (Fully clockwise).
7. **To adjust sensitivity – detection distance.** By adjusting the SENS dial the detection distance can be changed – minimum detection is fully anticlockwise - or maximum detection distance is dial turned fully clockwise.

NOTE:-

1. All time on values are approximate.
2. At initial power-on activation, the lantern will switch on and may remain on for up to 2 minutes. Keep out of the way of the activation zone and once the light goes off make the setting adjustments.

Endon Lighting
LS9 0SE
20150922