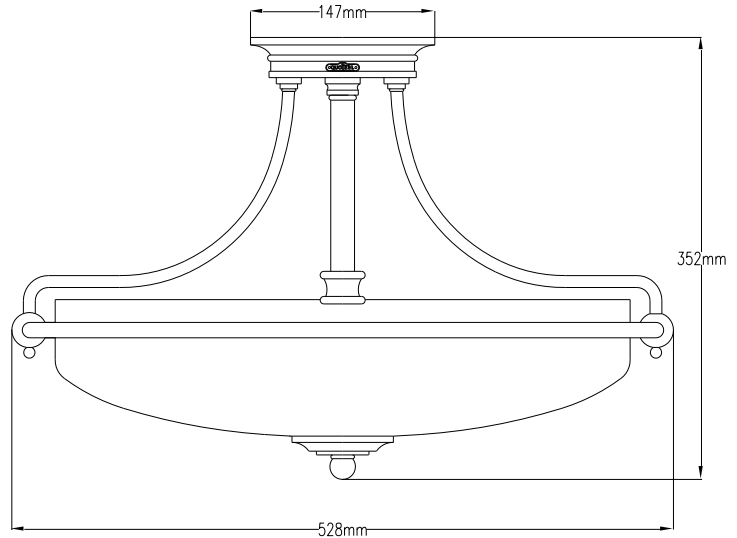


**RANGE: QUOIZEL**
**STYLE: GRIFFIN 4LT SEMI-FLUSH**


|                                 |                  |  |                    |
|---------------------------------|------------------|--|--------------------|
| 1. Item Code                    | QZ/GRIFFIN/SFMWS | 23. Minimum Drop                         | n/a                |
| 2. Drawing No.                  | Q-GFI721WS REV-A | 24. Maximum Drop                         | n/a                |
| 3. EAN/Barcode                  | -                | 25. Adjustable?                          | No                 |
| 4. Tested?                      | No               | 26. Shade/Glass Material                 | Etched White Glass |
| 5. Final Sign-off Sample Done?  | No               | 27. Shade Width (mm)                     | n/a                |
| 6. Category                     | Indoor           | 28. Shade Height (mm)                    | n/a                |
| 7. Type                         | Semi-Flush       | 29. Shade Depth (mm)                     | n/a                |
| 8. Finish                       | Weathered Brass  | 30. Size of Back-Plate/Ceiling Rose (mm) | 147                |
| 9. IP Rating                    | n/a              | 31. Main Material                        | Mild Steel         |
| 10. Class                       | I                | 32. Power Cable Colour                   | Brown & Blue       |
| 11. Voltage                     | 240              | 33. Power Cable Length (mm)              | 200                |
| 12. Wattage (1)                 | 100              | 34. Chain Length (mm)                    | n/a                |
| 13. Wattage (2)                 | n/a              | 35. Rod Length (mm)                      | n/a                |
| 14. Lamp Holder Type (1)        | E27              | 36. PIR                                  | No                 |
| 15. Lamp Holder Type (2)        | n/a              | 37. Switch Type and location             | n/a                |
| 16. No. of Lamps                | 4                | 38. Connection Method                    | Terminal Block     |
| 17. Lamp Supplied               | None             | 39. Plug Type                            | n/a                |
| 18. Dimmable?                   | Depends On Lamp  | 40. Plug Colour                          | n/a                |
| 19. Lumen Output                | Depends On Lamp  | 41. Product Weight (kg)                  | 5                  |
| 20. Overall Width/Diameter (mm) | 528              | 42. Carton Dimensions (mm)               | -                  |
| 21. Overall Height (mm)         | 352              | 43. Carton Weight (kg)                   | -                  |
| 22. Overall Depth (mm)          | 528              | 44. Notes                                | -                  |