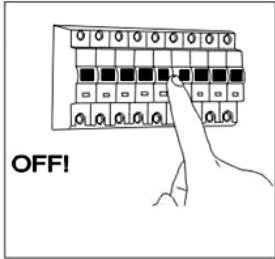


	✓								✓	
		LED				PART C	PART E	PART 21	SELV	
				✓						

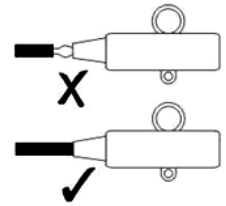
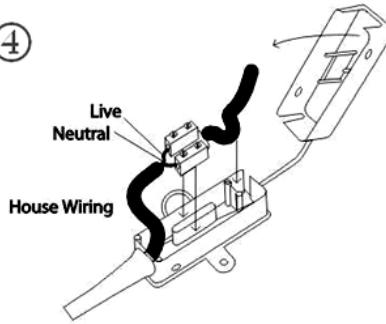
<p>1 – 1.B</p>	<p>1</p>	<p>3.1 – 3.3</p>
<p>3.4</p>	<p>3.4a - 3.5</p>	<p>3.6, 3.8 – 3.10</p>
<p>3.12 – 3.14, 3.17</p>	<p>3.18</p>	<p>3.19</p>



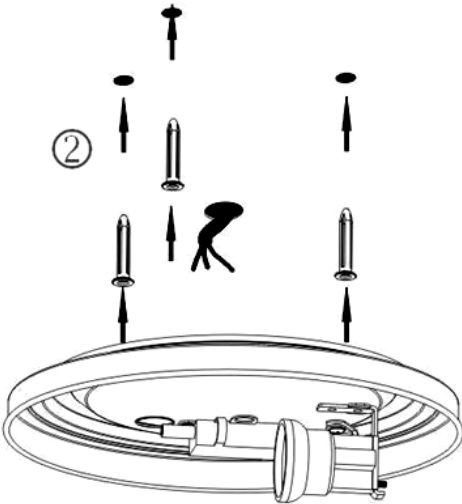
①



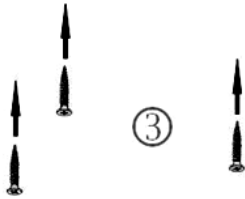
④



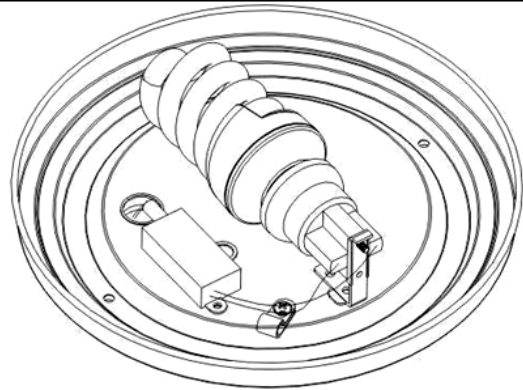
②



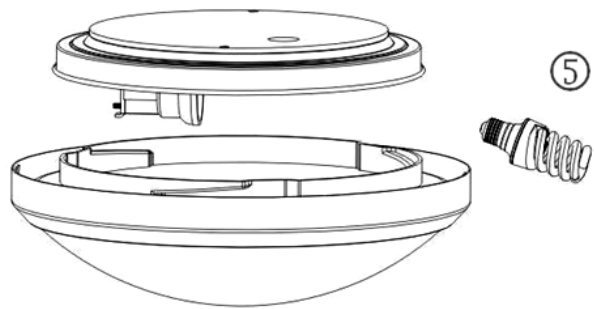
③



⑤



⑤



⑥

