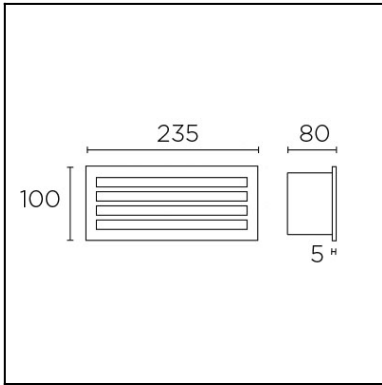


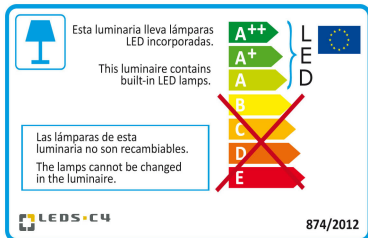
HERCULES 05-9211-CA-CM



The photograph may not match the reference exactly. Please read the product description to identify the finish.



[Download photometric file .ldt /.ies](#)



[Click on image to download energy label](#)

TECHNICAL CHARACTERISTICS

Type:	WALL RECESSED
IP Protection degrees:	IP44
Light source 1: Bulb specified at the product label	54 x LED 3.5W Neutral white - 4000K 432 lm ^(N)
IK Protection degrees:	IK08
Voltage / Frequency:	100-240VAC/50-60Hz
Warranty:	2
Units per box:	18
Net Weight (Kg):	0.940
EAN Code:	8435381462901



MATERIALS / FINISHES

Structure material: Stainless steel AISI316

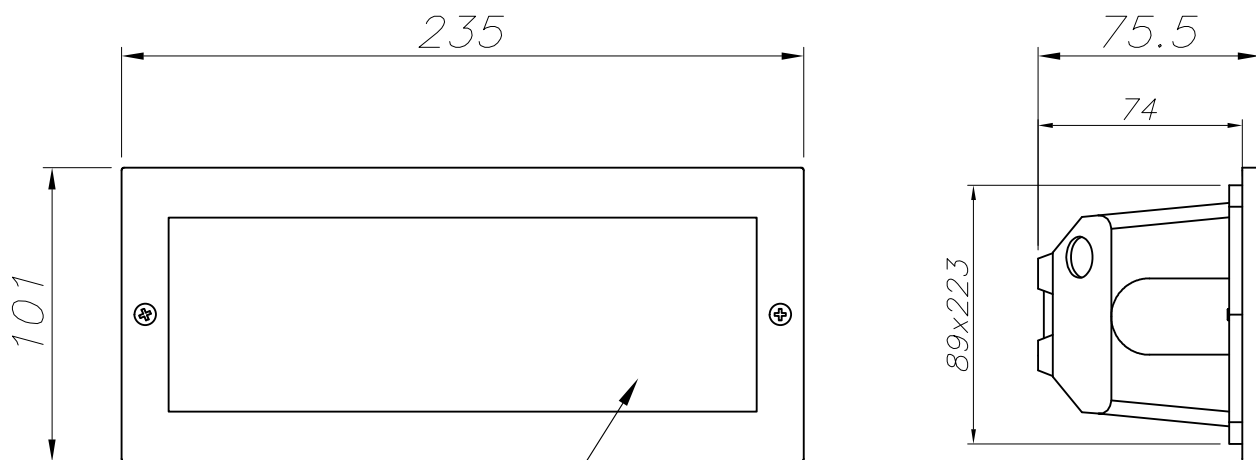
Diffuser material: Glass

Structure finish: Polished

Diffuser finish: Matt

GEAR

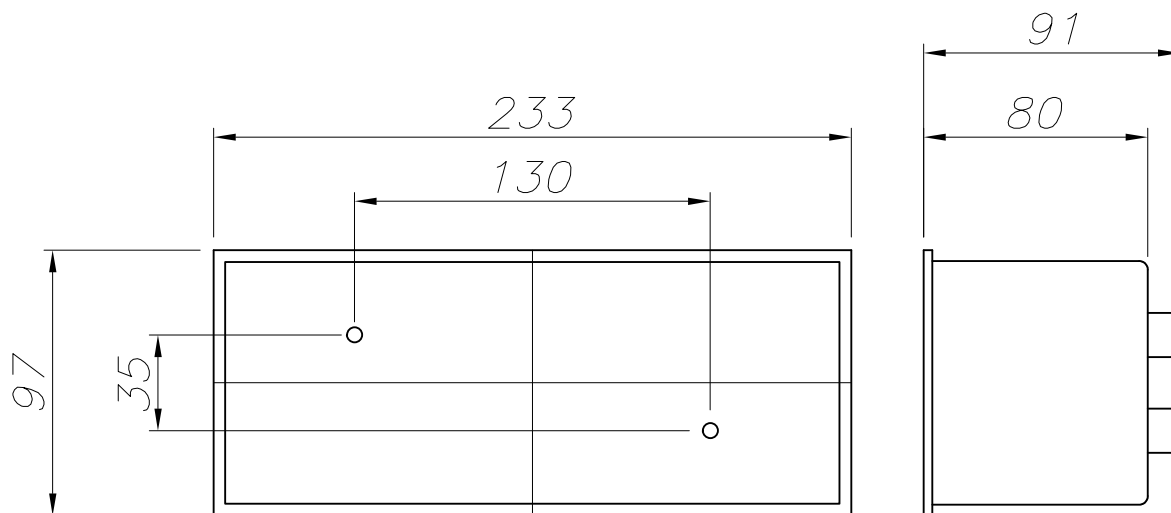
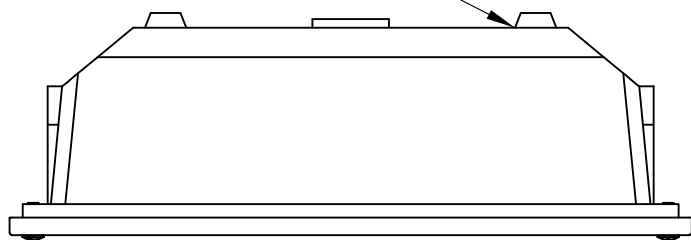
Multi-voltage electronic gear included (Yes)



CRISTAL ARENADO INTERIOR
SANDFROSTED GLASS INSIDE

ACERO INOXIDABLE AISI 202
STAINLESS STEEL AISI 202

ALUMINIO INYECTADO
INJECTED ALUMINIUM



CAJA DE EMPOTRAR
FLUSH FITTING BOX

