

ENDON[®]

Ayres - 4CH / 6CH (Semi-Flush fittings)

INSTRUCTION MANUAL

Safety Warnings

These products are only suitable for connection to a 240V~50Hz supply in accordance with current IEE wiring Regulations and should be installed in accordance with local Building Regulations and are for Domestic indoor ceiling use only and not suitable for a Bathroom location.

The light fittings should be connected to a lighting circuit protected by a 5 amp fuse (or a 6 amp miniature circuit breaker).

If in doubt we recommend you contact a qualified electrician. Before installing your light fitting always:

Switch off the mains supply and remove the appropriate fuse or switch off the appropriate circuit breaker before commencing installation.

Ensure that no one else has access that would enable the supply to be inadvertently reconnected.

Never fit bulbs of a higher wattage or of a type other than those specified on the label as this may cause overheating and damage the fitting.

These product contains glass parts – be careful during handling and maintenance to avoid breakage.

The bulbs become hot during use so please switch off and allow 10 minutes to cool before replacing bulbs or cleaning the fitting.

This fitting is heavy and you may require assistance in connecting it to the supply and securing it to the mounting surface. When fixing to the mounting surface ensure that the fixings used are appropriate for the mounting surface on which they are being used.

Clean with a dry cloth only. Do not use liquid or abrasive cleaners on this product.

If any modification is made it will invalidate the warranty and may render the product unsafe.

Before you start

Please read these instructions carefully before fitting your new light and retain for reference.

Make sure that there are no pipes or cables beneath the mounting surface.

Check the packaging and make sure that you have all the required parts.

Follow each assembly step in order to prevent incorrect assembly.

Make sure all screws / nuts, including electrical connections etc are fully tightened before use.

This type of Light Fitting may be connected to a Dimmer if a Tungsten incandescent bulb is used. If a CFL/LED type bulb is fitted then these cannot (generally) be controlled by a dimmer.

The Light pack contains:

Light fitting and mounting bracket.
Terminal connection block(s).
Shade ring tool.

The following tools may be required:

Selection of cross and flat head screwdrivers.
Electric drill and assorted drill bits.
Wire strippers.
Electrical insulation tape.

These assembly diagrams are intended as a guide – if in doubt consult a qualified electrician. The same general instruction applies to the 4 and 6 light fittings.

Diagram A

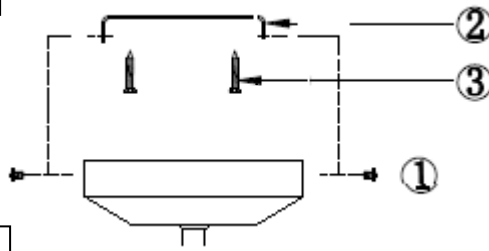
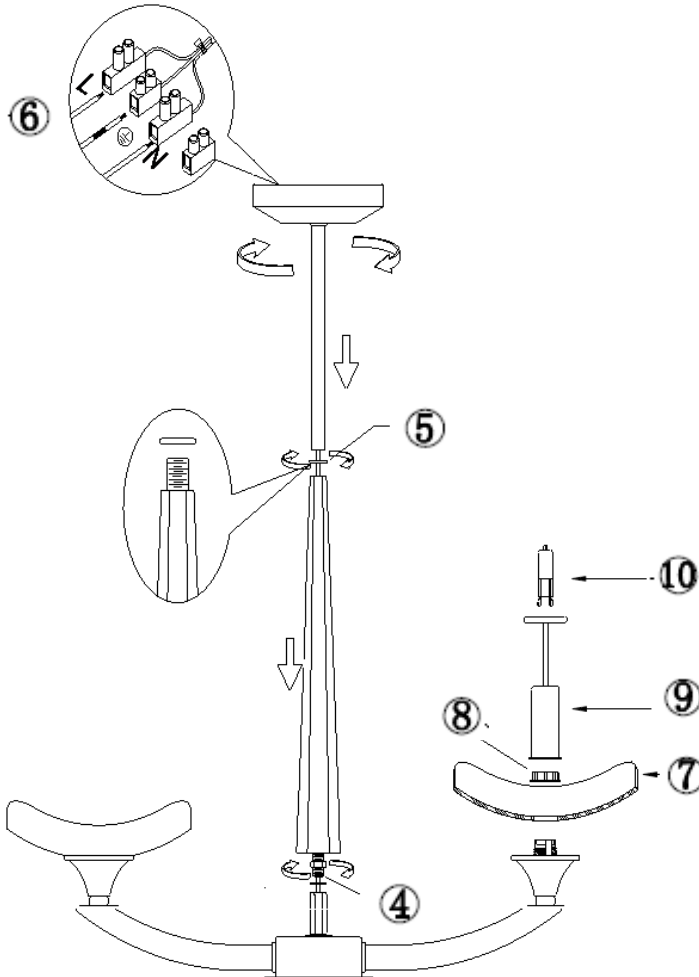
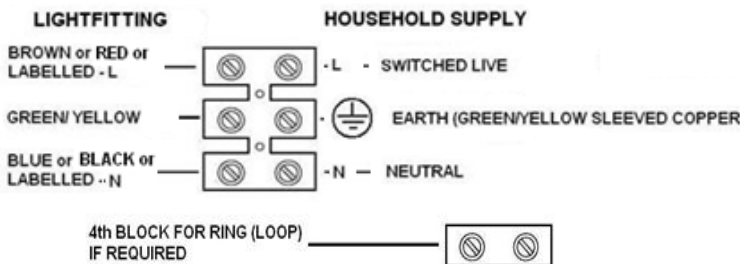


Diagram B



WIRING DETAILS



1. Decide on the position of the light fitting / or remove existing light fitting. Take a note of the position of the electrical connections. Ensure there is a solid mounting surface, preferably a wooden joist or joist bridge to support the weight of the light fitting.
2. See **Diagram A**. Remove the fixing bracket by undoing the 2 side screws (1), retain for re-use.
3. Use the fixing bracket (2) as a template to mark the screw holes, mark the screw holes and secure to the ceiling with the screws (3) supplied.
4. **Diagram B**. Your fitting will be supplied `flat packed`. To assemble the stem, screw the bottom nipple to the hub at position (4). Then put the decorative chrome tube over it. Next screw the nut to the top of the thread at (5) as shown. Finally screw the top stem to this thread. **NOTE: The internal cables will need to be shortened. Make a note of the terminal positions. (see wiring details) We suggest that the earth cable (green/yellow) is cut to a length of 200mm, reconnect to the earth terminal. Shorten the live (brown) / Neutral (blue) cables to 150mm and connect them to their respective terminal positions.** Support your fitting and connect the house wiring to the terminal block (6) – see wiring details. **NOTE: This is a Class I fitting and must be earthed.** The 4th terminal block connector is used for the “loop” wires of the “Ring Circuit”. There may be more than one set of cables in the “loop” connections. If there is a “Ring Circuit” and you do not understand the connections you must consult an electrician. Any loose terminal blocks –not secured to ceiling cup - should always be covered with 2 layers of good quality insulation tape.
5. Secure the fitting back onto the fixing bracket with the 2 side screws (1), removed in 2 above. Make sure that all the internal cables and connections are inside the ceiling cup taking care not to trap or strain the internal cables.
6. Fit the shades (7) and secure with the shade ring (8) using the shade ring tool (9).
7. Fit the bulbs (10) into the lamp holders being careful not to touch the bulbs with your bare hands – use a cloth or gloves to insert the bulbs. **NOTE; Never fit bulbs of a higher wattage or of a type other than those provided / specified on the label (as these may cause overheating and damage the fitting).**
8. Turn on the power and test.