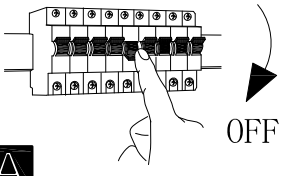
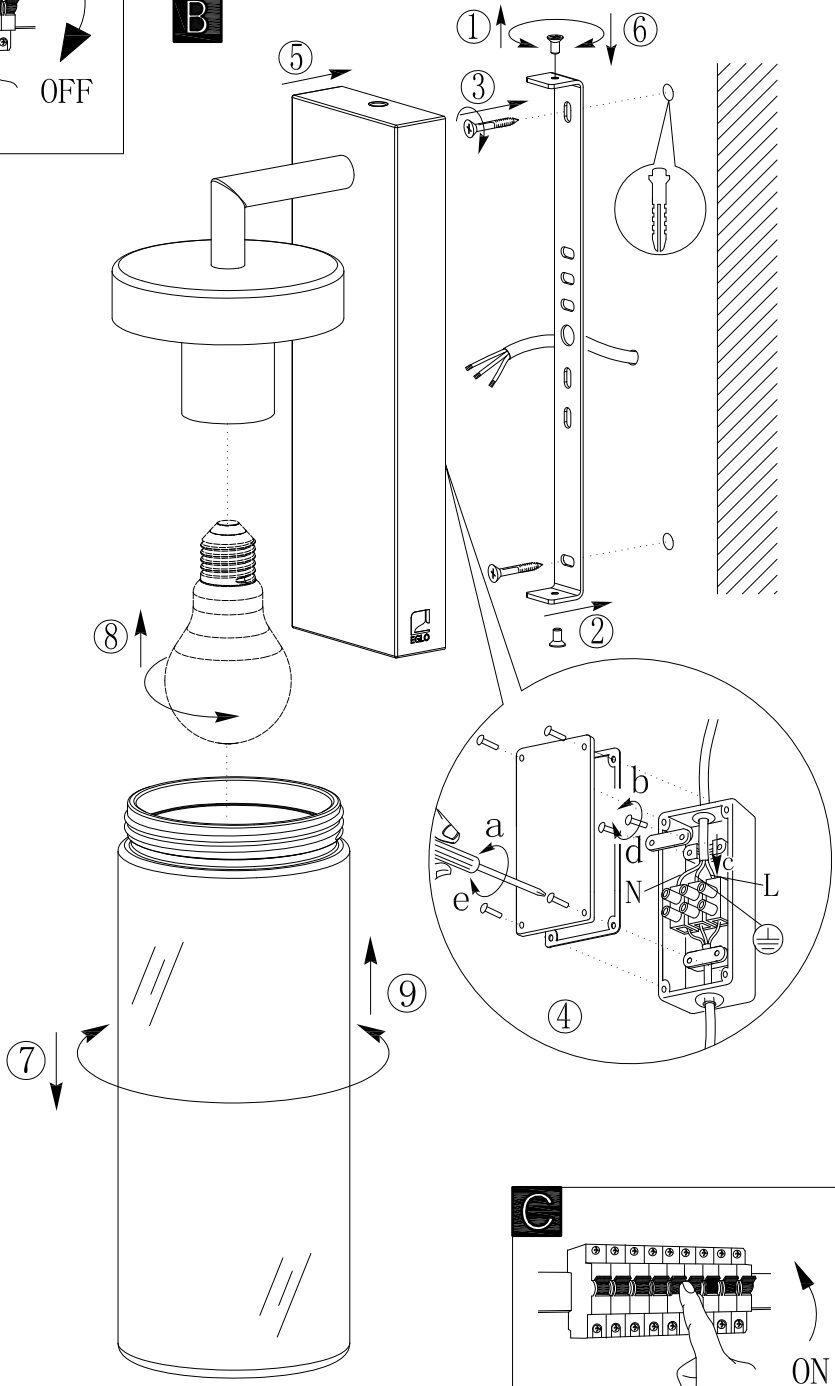


A

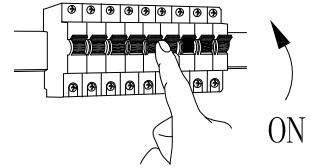


OFF

B



C



ON