

Sensor Parameters

Solar Panel: monocrystalline 1.8W
Battery: Li-ion 18650 3.7V 2600mAh
Charge time: 7-8 hours
Detection range: 8±2m
Detection angle: 110°

Technical data

Bulb Type: 4.4W LED module (SMD), 4000K

The light source of this luminaire is not replaceable; when the light source reaches its end of life the whole luminaire shall be replaced.



Conformity with all relevant EC Directive requirements.



This product is Class 3.



Waste electrical products should not be disposed of with household waste. Please recycle where facilities exist. Check with your Local Authority or local store for recycling advice.



This product is rated at IP44.



This product is rated at IK05.

Care and Safety

We recommend cleaning with a soft dry cloth. Do not use solvents or abrasive cleaners as these could damage the finish. For your safety, always switch off the power supply before changing lightbulbs, or cleaning.



This LED's are protected by a PC shade. The shade part must be replaced immediately should it become cracked or damaged. This fitting must not be used without the PC shade in place.

Instruction manual

ALBA SOLAR POST PIR

92530



Thank you for purchasing this light fitting. Please read the instructions carefully before use to ensure safe and satisfactory operation of this product. Please retain these instructions for future reference.

Warnings

Please read these instructions carefully before commencing any work.

Check the pack and make sure you have all the parts listed.

All electronic parts fixed already, any intention of opening work-light or changing work-light design is prohibitive unless a professional electrician.

Do not mix old and new batteries.

Do not mix batteries of different types.

Always insert the batteries with the correct polarity.

Always remove exhausted batteries from the product.

Do not use rechargeable batteries.

Children should not be permitted to use.

The battery should not be opened, destroyed or incinerate, since they may leak or rupture and release to the environment the ingredients that they contain in the hermetically sealed container. Do not short circuit terminals, or over charge the battery, forced over-discharge, throw to fire. Do not crush or puncture the battery, or immerse in liquids.

Waste electrical products should not be disposed of with household waste. Please recycle where facilities exist. Check with your local authority or retailer for recycling advice.

Installation

Existing fittings must be completely removed before installation of a new product.

Ensure that the screws and cable entry points are sealed to maintain the IP rating of the product.

This product must be installed into concrete or paving slab. It must not be installed into soil.

Follow the **Installation Fig** to install:

- Using base plate as a template, mark the fixing holes onto the mounting surface.
- Drill holes to the necessary size and depth.
- We recommend fitting this product with screws which are suitable for use on most surfaces, however alternative fixings may be required.
- Push the plastic plugs into the mounting holes as shown.
- Locate the product in position and fit the screws to secure in place.

Sensor Setting

Refer the **Installation Fig** to set the sensor (please operate after dark):

Mode 1: Press and hold the switch for 3 seconds to turn on, the product will stay on at 45LM.

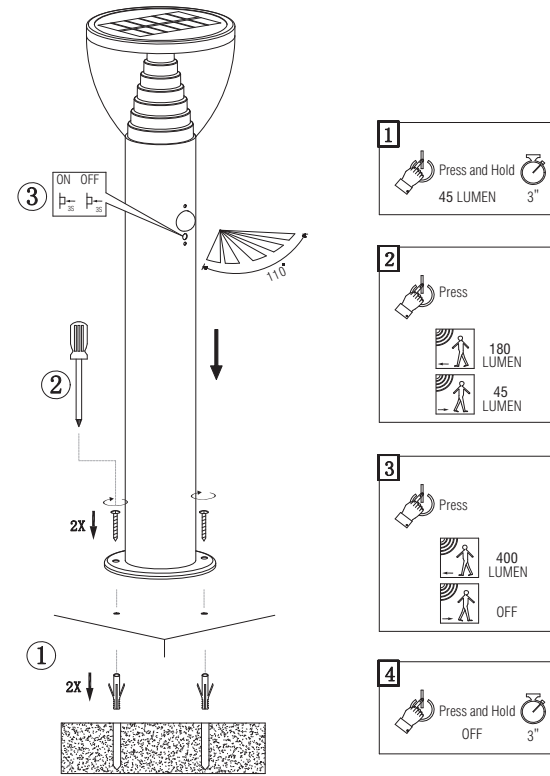
Mode 2: After mode 1, press the switch to change to mode 2. Product will stay on at 45LM and increase to 180LM when motion is detected (This will stay at 180LM for 25 seconds then dim to 45LM and stay lit).

Mode 3: After mode 2, press the switch to change to mode 3. Product will be 400LM when motion is detected and will turn off after 25 seconds.

Mode 4: Press and hold the switch for 3 seconds to turn it off.

Once desired setting of sensor has been set, your light is now ready for use.

Installation Fig



Battery Replacement

- Press and hold the switch for 3 seconds to turn it off.
- Separate the lamp head from the steel body easily and keep safe for refitting later.
- Unscrewing two screws with a screwdriver.
- Remove the old batteries and replace. Ensure the correct polarity is observed.
- Screwing two screws back into the original position.
- Refit back into the lamp head.
- Press and hold the switch for 3 seconds to turn on. Reset as wanted.

