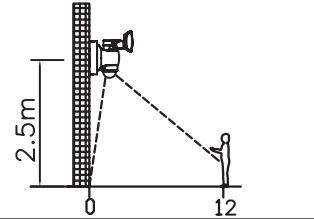
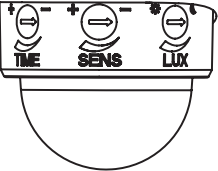


PIR Adjustment

- The unit must be installed in a vertical position, and fitted between 1.8m and 2.5m above the ground.
- The PIR sensor can be adjusted, allowing the detection distance to be altered to suit the location. The detection angle is set at 180 degrees. The duration that the lamp stays on can be altered from 10 ± 5 seconds to 4 ± 1

minutes. The detection distance "SENS" can be adjusted up to 12m. Use a small screwdriver to adjust the 'TIME' and 'SENS' screws. When adjusting the sensitivity (detection distance) in daylight it will be necessary to cover the sensor to simulate night time.

Adjustable up to 12 metres	Base of product
	
Detection range can be adjusted by turning 'SENS' screw	Duration the bulb stays on is adjustable by turning 'TIME' screw The sensor trigger point is adjustable by turning the 'LUX' screw.

Fitting/replacing bulbs

- This system contains non-replaceable parts and cannot be serviced. If damage occurs the part should be scrapped.

We recommend cleaning with a soft dry cloth.

Do not use solvents or abrasive cleaners as these could damage the finish.

Recycling advice



Waste electrical products should not be disposed of with household waste. Please recycle where facilities exist. Check with your Local Authority or retailer for recycling advice.

Safety information

For your safety, always switch off the supply before cleaning.

Instruction leaflet

Sentinel PIR Wall Light

75272



saxby
lighting

Iss.1 21062018

Thank you for purchasing this light fitting. Please read the instructions carefully before use to ensure safe and satisfactory operation of this product. Please retain these instructions for future reference.

Warning

This light fitting is Class 1 and must be connected to an Earth circuit

Please read these instructions carefully before commencing any work.

This unit must be fitted by a competent and qualified electrician.

Install in accordance with IEE Wiring regulations and current Building Regulations.

To prevent electrocution switch off at mains supply before installing or maintaining this fitting. Ensure other persons cannot restore the electrical supply without your knowledge. If you are in any doubt, please consult a qualified electrician.

This light fitting should be connected to a circuit with a 30mA RCD fitted.

If replacing an existing fitting, make a careful note of the connections.

This system contains non-replaceable parts and cannot be serviced. If damage occurs the part should be scrapped.

Waste electrical products should not be disposed of with household waste. Please recycle where facilities exist. Check with your local authority or retailer for recycling advice.

This product is rated at IP44.

This product is not suitable for dimming.

This product is not suitable for location in or near a marine or sea environment.

Specification

Voltage: 220-240V~50Hz
Lamp: 2 x 10W LED Module
IP rating: 44

Layout

- Avoid mounting on surfaces subject to vibration, as this may affect the PIR sensor.
- To avoid damage to the unit, do not aim the sensor towards the sun or areas of strong electro-magnetic disturbances.
- To avoid nuisance triggering, the sensor should be aimed away from heat sources, such as BBQ's, Air-Conditioners, other outside lighting, moving cars and flue vents or reflective surfaces such as smooth white walls or swimming pools.
- When selecting location, it is advisable to note that movement across the sensors field is more effective than towards/away from it.
- Plan the desired layout of this fitting carefully, ensuring the cables will reach the distance between the junction box and the light fitting
- Avoid locating any cables in positions that would cause a hazard. Position cables and junction boxes (not supplied) away from areas where they may be at risk from being cut, trapped or damaged
- Cables in walls must be protected using suitable conduit or plastic trunking.
- The mains supply cable must have a minimum cross sectional area of 1.0mm²

Installation

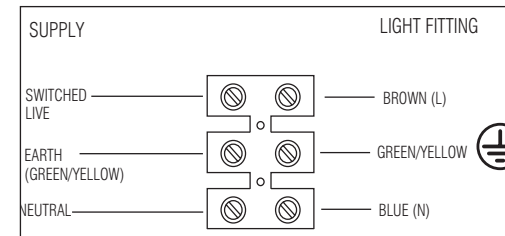
- Decide on the optimum location for the product. Ensure the wall is capable of holding the weight of the product.
- Place the product in an upright position.
- Detach the wall back by removing the screw from the bottom of the product. Set screw aside for refitting later (Fig. 1).
- Push button on top of product and remove wall back (Fig. 1).
- Using the wall back as a template, mark and drill the position of the fixing holes.
- Pull the cable through the rubber grommet in the back plate.
- Fix the wall back to the wall using the screws and wall plugs. Take care to avoid damaging any concealed wiring and pipes. The correct fixings should be used for brick or cavity walls.
- Wire as detailed below.

Commissioning

- Reattach the product to the wall back using the screws set aside earlier.
- Replace fuse or circuit breaker and switch on.
- Adjust the PIR sensor as detailed below. Please note the sensor rotates for easy access to the controls. Line the white dots up at the front of the product to ensure the correct orientation.
- Gently rotate the angle of the shades by hand to your preferred position.
- Your light is now ready for use.

Wiring

Having correctly identified the wiring from your existing light fitting, unscrew the cord grip (Fig. 2), pull the wire through the hole and connect to the connection block inside the product in the following way:



Check that...

- You have correctly identified the wires
- The connections are tight
- No loose strands have been left out of the connection block.
- The cord grip is re-locked in place (Fig.2).

