

Check that...

- You have correctly identified the wires.
- The connections are tight.
- No loose strands have been left out of the connection block.
- The cover on the connection box has been replaced.

Commissioning

- The ceiling surface must be flat and smooth to ensure a good fit.
- Push the spring clips upwards and fit into the ceiling hole, then push the unit up until firmly in position, ensuring that no cables are trapped.
- Ensure that the product is sitting properly in the hole.
- Replace circuit breaker and switch on. Your light is now ready for use.

Fitting/replacing bulbs

- The LED's in this product are non replaceable
- We recommend cleaning with a soft dry cloth. Do not use solvents or abrasive cleaners as these could damage the finish.

Recycling advice



Waste electrical products should not be disposed of with household waste. Please recycle where facilities exist. Check with your Local Authority or retailer for recycling advice.

Safety information

For your safety, always switch off the power supply before changing lightbulbs, or cleaning.

Instruction leaflet

ShieldECO 800

74707, 74708, 74709, 74710, 74711, 74712



saxby
lighting

Thank you for purchasing this light fitting. Please read the instructions carefully before use to ensure safe and satisfactory operation of this product. Please retain these instructions for future reference.

Warning



This product is Double Insulated and does not require connection to an Earth circuit.

Please read these instructions carefully before commencing any work.

This unit must be fitted by a competent and qualified electrician.

Install in accordance with IEE Wiring regulations and current Building Regulations.

To prevent electrocution switch off at mains supply before installing or maintaining this fitting. Ensure other persons cannot restore the electrical supply without your knowledge.

This light fitting must be connected to a fused circuit.

If replacing an existing fitting, make a careful note of the connections.

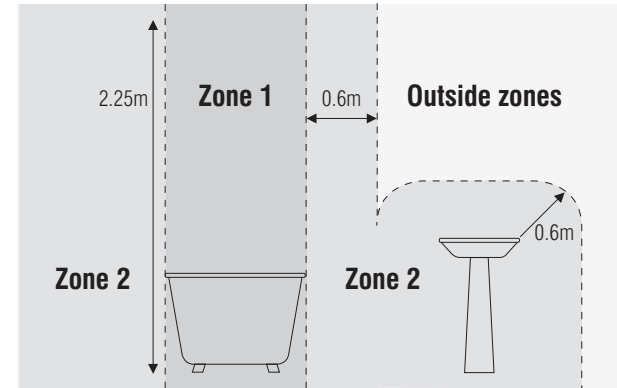
This product is suitable for covering with insulation 270mm.

This product complies with Building Regulations Part B and is suitable for use in 30, 60 or 90 minute fire rated ceilings.

This system contains non-replaceable parts and cannot be serviced. If damage occurs the part should be scrapped.

Waste electrical products should not be disposed of with household waste. Please recycle where facilities exist. Check with your local authority or retailer for recycling advice.

This product is suitable for dimming.



This product is suitable for use in Zone 1, Zone 2 and outside Zones in a bathroom. See diagram. If this unit is being fitted in a room containing a bath or shower, a 30mA RCD must be used - in accordance with IEE regulations.

Specification

Supply:	240V ~ 50Hz	
Lamp:	8.5W LED	
Lumens:	74707/74709/74711: 750lms	74708/74710/74712: 820lms
IP rating:	65	

Layout

- Plan the desired layout of these fittings carefully, ensuring the cables will reach the distances between each light fitting.
- Avoid locating any cables in positions that would cause a hazard. Position cables and junction boxes (not supplied) away from areas where they may be at risk from being cut, trapped or damaged
- The mains supply cable must have a minimum cross sectional area of 1.0mm²
- The distance between units must be 0.5m minimum.
- The unit must be located a minimum distance of 50mm from a joist
- This product must be mounted out of arms reach.
- This product is rated at IP65.
- This product is suitable for covering with thermal insulation.

Ceiling Preparation

Existing fittings must be completely removed before installation of a new product. Before removing the existing fitting, **carefully note the position of each set of wires.**

- After deciding the layout of the light fittings ensure that the cables are long enough to connect to the desired positions.
- Ensure a minimum ceiling void depth of 90mm is available.

- Cut a mounting hole 57mm diameter in the ceiling taking care not to foul any pipes, mains cables or joists beneath the surface.
- It is always recommended to cut the hole slightly smaller than the size specified, and then file the hole until the recessed unit fits snugly.

Wiring

- Unclip the cover from the quick fit connection case. Having correctly identified the wiring from your existing light fitting, pull the mains wire through the hole and connect to the connection block inside the quick fit connection case in the following way. No tools are necessary.

