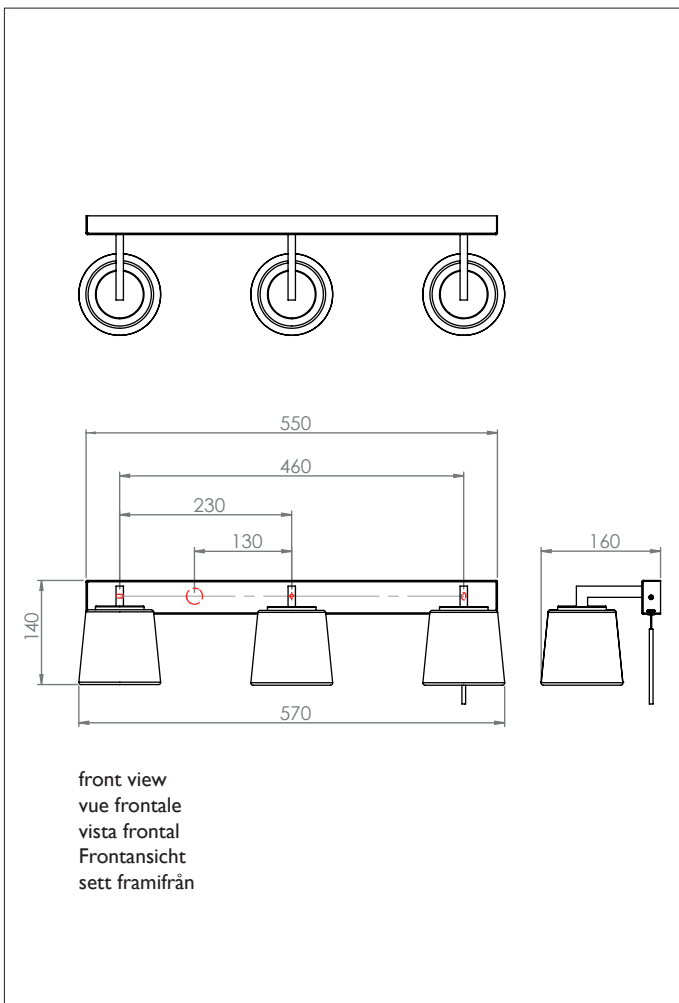
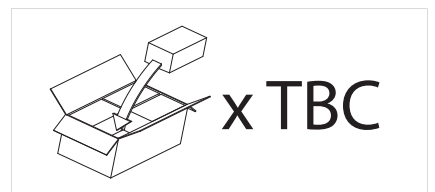
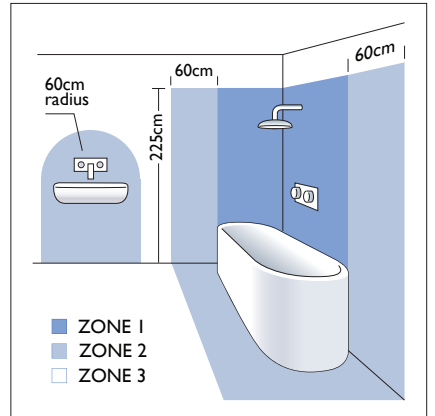


7093 Triplex



| | | |
|---------------|--|------------------|
| 3 x 40w G9 | | 3 x 33w incl. |
|---------------|--|------------------|

| | | |
|------|----------|----------|
| Zone | 2 | 3 |
|------|----------|----------|



Astro Lighting Ltd.
G2 River Way, Harlow
CM20 2DP, Great Britain

T: +44 (0) 1279 427001
F: +44 (0) 1279 427002
sales@astrolighting.co.uk
www.astrolighting.co.uk

Data Sheet Key



| | Class 1 | Classe 1 | Schutzklasse 1 | Classe 1 |
|--|---|--|--|--|
| | Class 2 | Classe 2 | Schutzklasse 2 | Classe 2 |
| | Class 3 | Classe 3 | Schutzklasse 3 | Classe 3 |
| | Luminaire suitable for direct mounting on normally flammable surfaces | Apparecchio di illuminazione per installazione diretta su superfici infiammabili | Leuchte verwendbar für direkte Montage auf normalerweise feuergefährlichen Oberflächen | Luminaire montage sur surface en matériau inflammable autorisé |
| | No protection against water ingress | Nessuna protezione contro l'immersione in acqua | Kein Schutz vor eindringendem Wasser | Pas de protection contre la pénétration d'eau |
| | Splash-proof | Antispruzzo | Spritzwasser-geschützt | Résistant aux éclaboussures |
| | Jet-proof | Antigetto | Strahlwasser-geschützt | Résistant aux jets d'eau |
| | Weight of product in box | Poids du produit emballé | Gewicht der Ware im Karton | Peso di prodotto in scatola |
| | Dimmable | Dimmerabile | Dimmbar | Dimmable |
| | Touch dimmer | Touch dimmer | Touch dimmer | Touch dimmer |
| | Glass component | Component in vetro | Glas | Verre |
| | With on/off switch or pull cord | Con interruttore on/off o a tirante | mit An Ausschalter oder Zugband | avec interrupter on/off ou tirette |
| | Cut out size | foro di incasso | Ausschnittsmaß | Dimensions d'encastrement |
| | Magnification | Ingrandimento | Vergrößerung | Grossissement |
| | Fire-rated | Ignifugo | schwer entflammbar | résistant au feu |
| | Aluminium | Alluminio | Aluminium | Aluminium |
| | Ceramic | Ceramica | Crete | Céramique |
| | Fabric | Tissu | Stoff | Tessuto |
| | Glass | Vetro | Glas | Verre |
| | Plaster | Gesso | Gips | Plâtre |
| | Plastic | Plastique | Kunststoff | Plastica |
| | Stainless steel | Acciaio inox | Edelstahl | Acier Inoxydable |
| | Steel | Acier | Stahl | Acciao |
| | Wood | Bois | Holz | Legno |
| | Zinc | Zinc | Zink | Zinco |
| | Quantity of products per shipping box | Colisage | Anzahl der Produkte pro Versandeinheit | Quantità di prodotti per scatola di spedizione |

| | Anodised Aluminium | Alluminio Anodizzato | Anodisiertes Aluminium | Aluminium Anodisé |
|--|-------------------------|----------------------------------|---------------------------------|-------------------------|
| | Antique Brass | Ottone Antico | Messing Antik | Laiton Antique |
| | Brushed Aluminium | Alluminio Spazzolato | Aluminium Gebürstet | Aluminium Brossé |
| | Black | Nero | Schwarz | Noir |
| | Brushed Nickel | Nickel Spazzolato | Nickel Gebürstet | Nickel Brossé |
| | Bronze | Bronzo | Bronze | Bronze |
| | Brushed Stainless Steel | Acciaio Inox Spazzolato-ceramica | Rostfreier Edelstahl, Gebürstet | Acier Inoxydable Brossé |
| | Ceramic | Ceramica | Keramik | Céramique |
| | Clear Glass | Vetro Transparente | Klares Glas | Verre Claire |
| | Frosted | Smerigliato | Matt | Verre Satiné |
| | Matt Brass | Ottone Opaco | Messing Matt | Laiton Mat |
| | Mirror | Specchio | Spiegel | Miroir |
| | Matt Nickel | Nickel Opaco | Nickel Matt | Nickel Mat |
| | Natural Brass | Ottone Naturale | Messing Natur | Laiton Naturel |
| | Oak Finish | Acabado Roble | Eichenfinish | Finition Chêne |
| | Oyster | Madreperlato | Oyster | Oyster |
| | Plaster | Gesso | Gips | Plâtre |
| | Polished Aluminium | Alluminio Brillante | Aluminium Poliert | Aluminium Poli |
| | Polished Chrome | Cromo Brillante | Chrom Poliert | Chrome Poli |
| | Polished Nickel | Nickel Brillante | Nickel Poliert | Nickel Poli |
| | Painted Silver | Argento Verniciato | Silber Lackiert | Peinture Argent |
| | PVC | PVC | PVC | PVC |
| | Satin Chrome | Cromo Satinato | Chrom Satiniert | Chrome Satiné |
| | Stainless Steel | Acciaio Inox | Edestahl | Acier Inoxydable |
| | Walnut | Noce | Walnussfinish | Finition Noyer |
| | White | Bianco | Weiß | Blanc |
| | White Glass | Vetro Blanco | Weißer Glas | Verre Blanc |