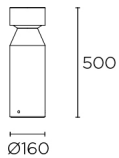


**55-E055-DC-CL**

V0

**ROW Beacon**

Designer: No

**Description**

Bollard for outdoor use.

For downlighting. Includes base with "PRO-base SYSTEM" to ensure perfect installation and make the light more stable and durable. Suitable for installation in marine environments. Includes 2 cable outlets to facilitate chain mounting. Structure material: cement. Structure finish: cement. Diffuser material: Polycarbonate. Diffuser finish: Matt opal. UV protection. Warranty: 5 Years.

**Finish**  
cement  
Matt opal

**Material**  
cement  
Polycarbonate



IP65 IK10

**TECHNICAL CHARACTERISTICS****Light source**

Light source: LED SAMSUNG  
Output (W): 17.4W  
Total power consumption (W): 19.3  
Color temperature: Warm White - 3000K  
CRI: 80  
Photobiological risk: RG1  
Real Lumen: 1071  
Qty Leds: 60  
Lm/Real W: 55  
Life Time: 56.000h L90B10  
Bin / Grup: VA o VB  
MacAdam steps: 3  
UGR: 23.3

**GEAR**

Brand: HEP  
Gear included: Yes, electronic  
Voltage / Frequency: 100-277 VAC  
Power Factor: 0.91  
Flickering: 25%

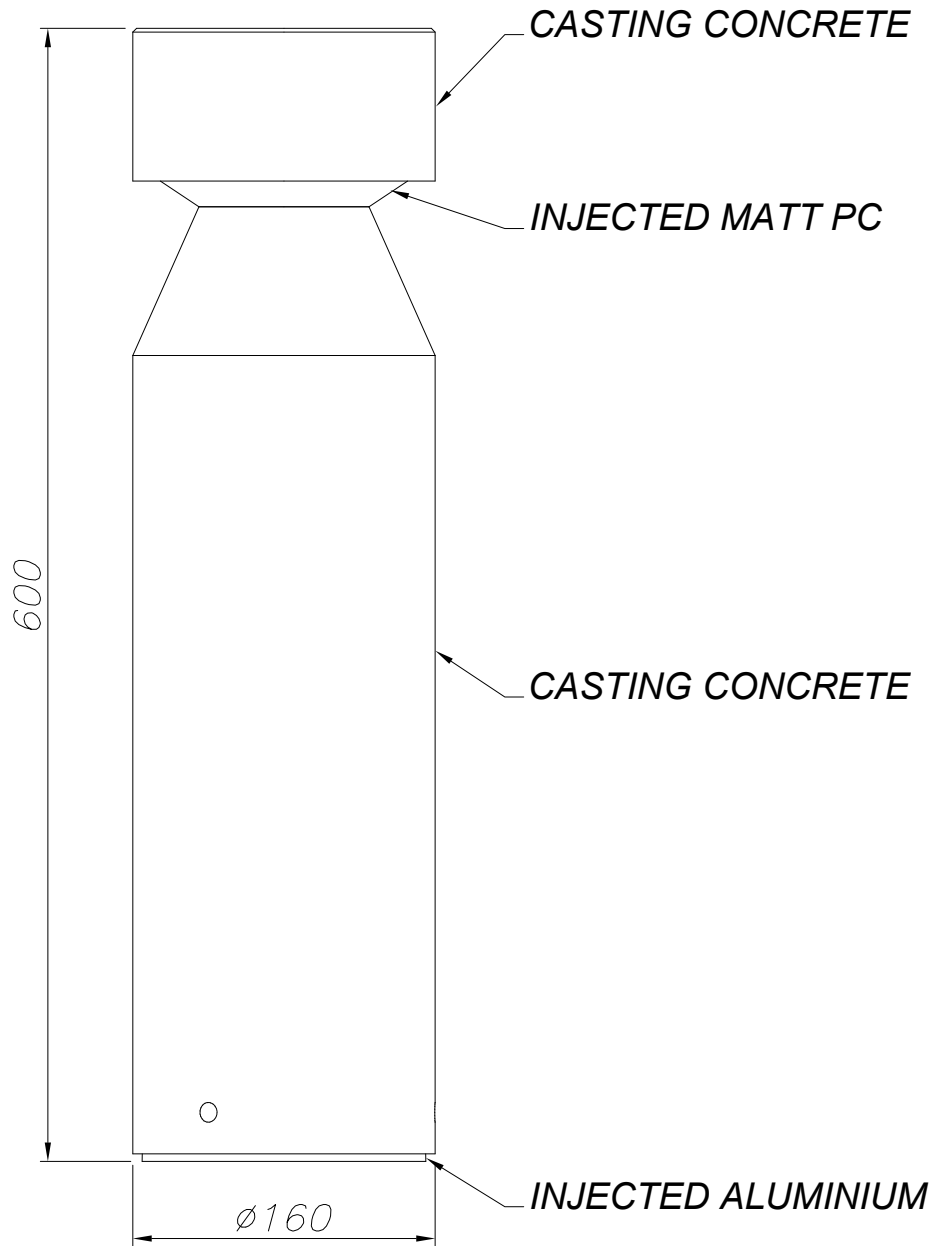
**Luminaire**

Double cable exit: Yes  
Drainage: No  
Seaside: Yes  
Uv Protection: Yes  
Warranty: 5 Years

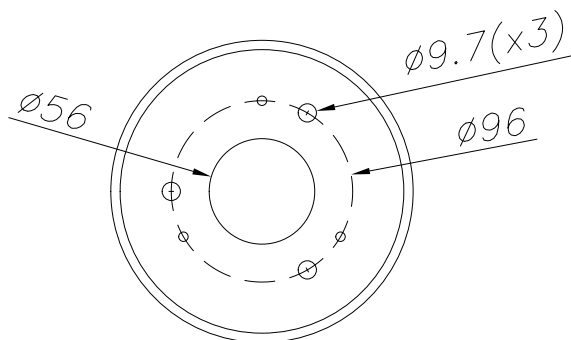
**Logistics**

Energy Efficiency: LED A++  
EAN Code: 8435526873807  
Net Weight (Kg): 0.000

The photograph may not match the reference exactly. Please read the product description to identify the finish.



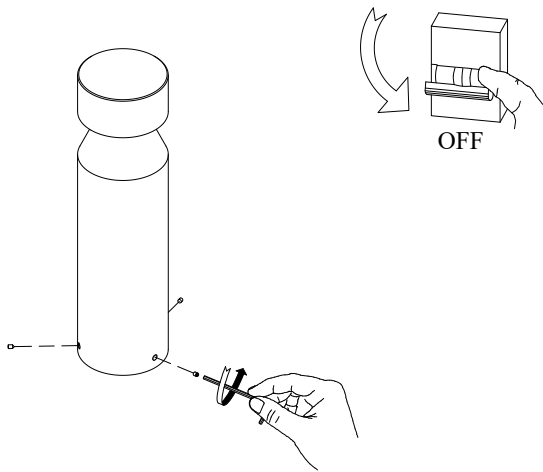
## INSTALLATION TEMPLATE



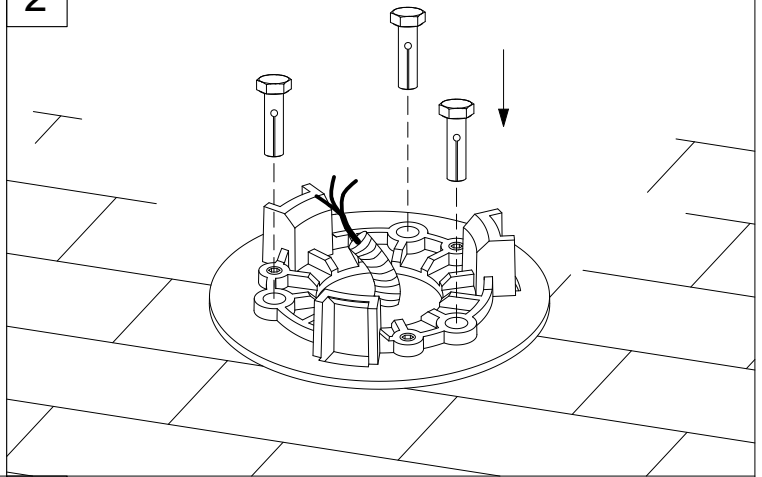
# LEDS C4<sup>+</sup>

55-E055, 55-E056

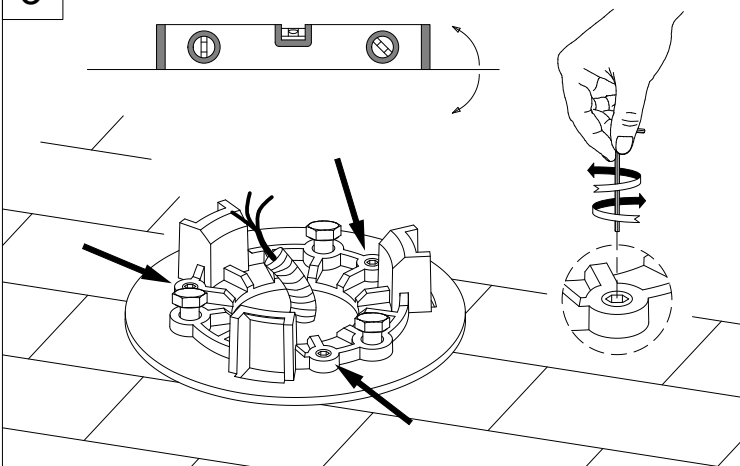
1



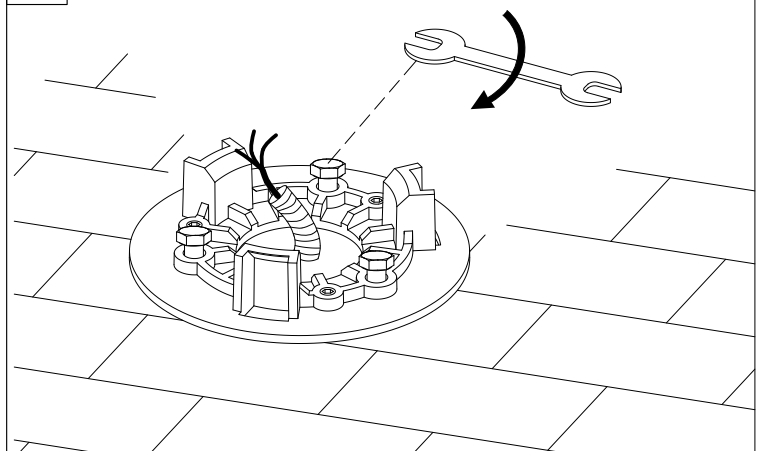
2



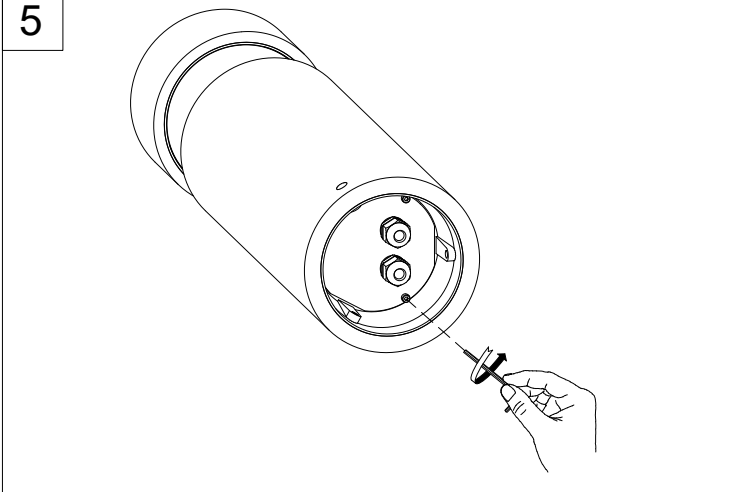
3



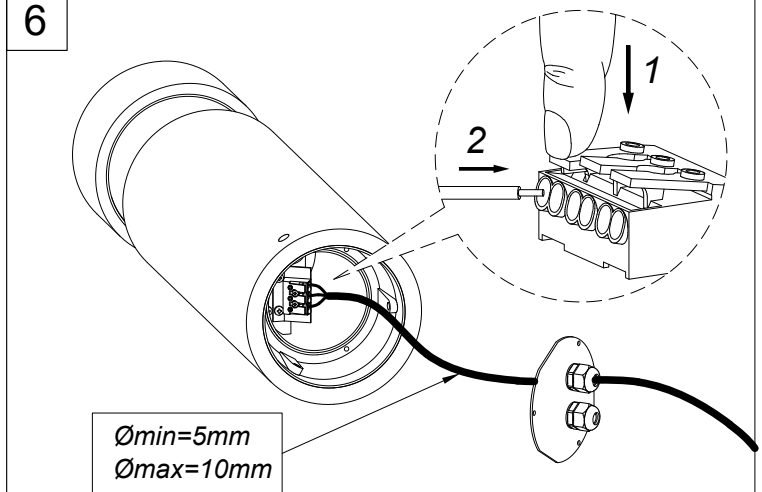
4



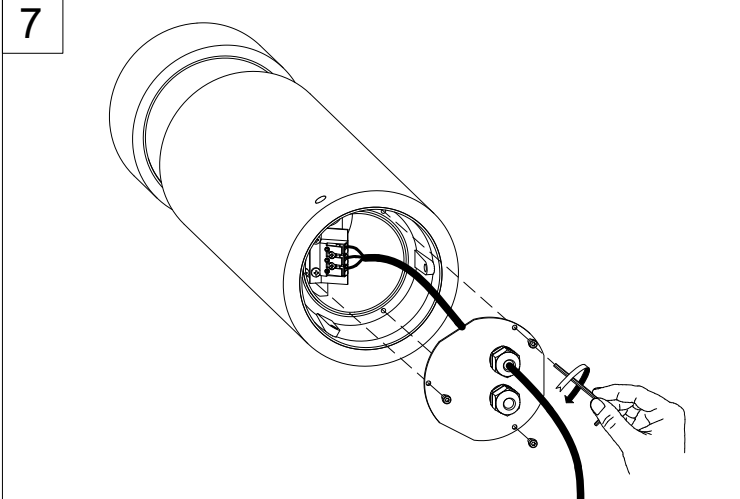
5



6



7



8

