



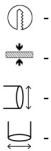
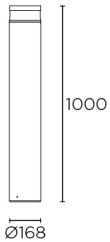
NEWTON Led Beacon

Designer: No

Description

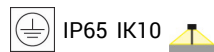
Bollard for outdoor use.

For downlighting. Includes base with "PRO-base SYSTEM" to ensure perfect installation and make the light more stable and durable. Suitable for installation in marine environments. Includes 2 cable outlets to facilitate chain mounting. Structure material: Aluminium. Structure finish: Dark gray. Diffuser material: Polycarbonate. Diffuser finish: Transparent. UV protection. Warranty: 5 Years. Ta max: 50°C.



Finish
Dark gray
Transparent

Material
Aluminium
Polycarbonate



TECHNICAL CHARACTERISTICS

Light source

Light source: LED SAMSUNG
Output (W): 22.8W
Total power consumption (W): 25.1
Color temperature: Warm White - 3000K
CRI: 80
Photobiological risk: RG0
Real Lumen: 2450
Qty Leds: 80
Lm/Real W: 98
Life Time: 50.000h L90B10
Bin / Grup: VA o VB
MacAdam steps: 3
UGR: 24.7

GEAR

Brand: TRIDONIC
Gear included: Yes, electronic
Voltage / Frequency: 220-240 VAC
Power Factor: 0.96
Dimming protocol: Dali
Flickering: 2.6%

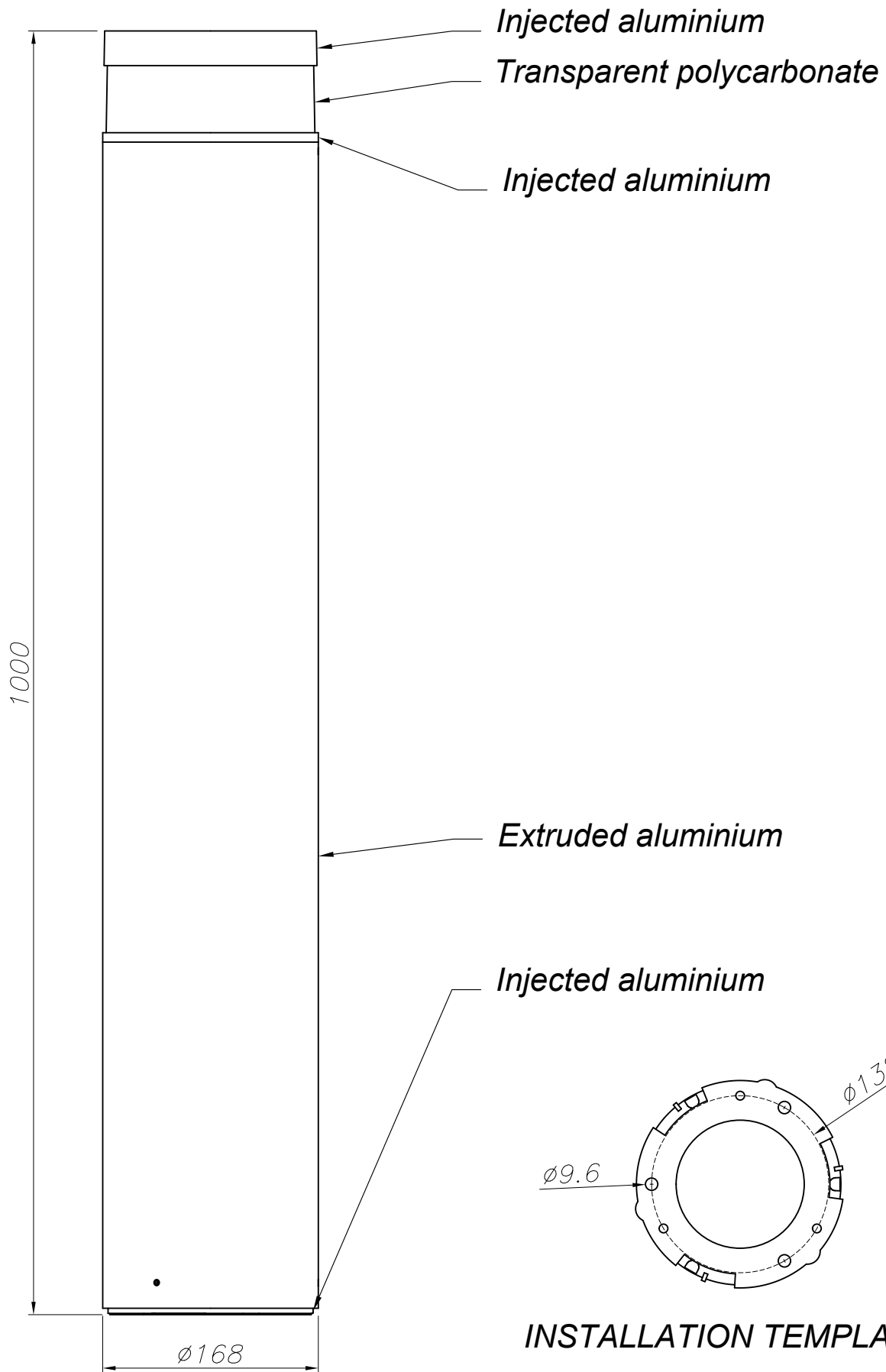
Luminaire

Double cable exit: Yes
Recessed: No
Seaside: Yes
Cable meters included: -
Uv Protection: Yes
Warranty: 5 Years
Ta max: 50°C

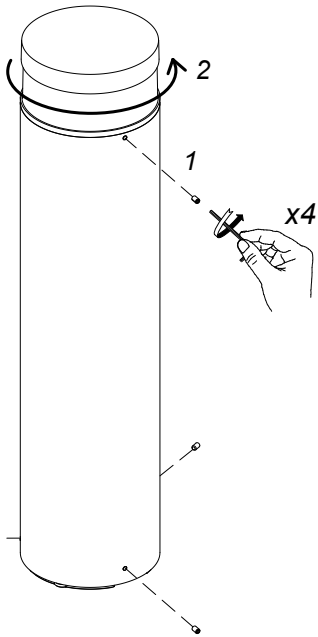
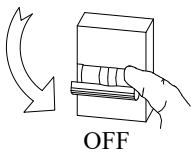
Logistics

Energy Efficiency: LED A++
EAN Code: 8435526873715
Net Weight (Kg): 0.000
Packing: - x 180 x 1050

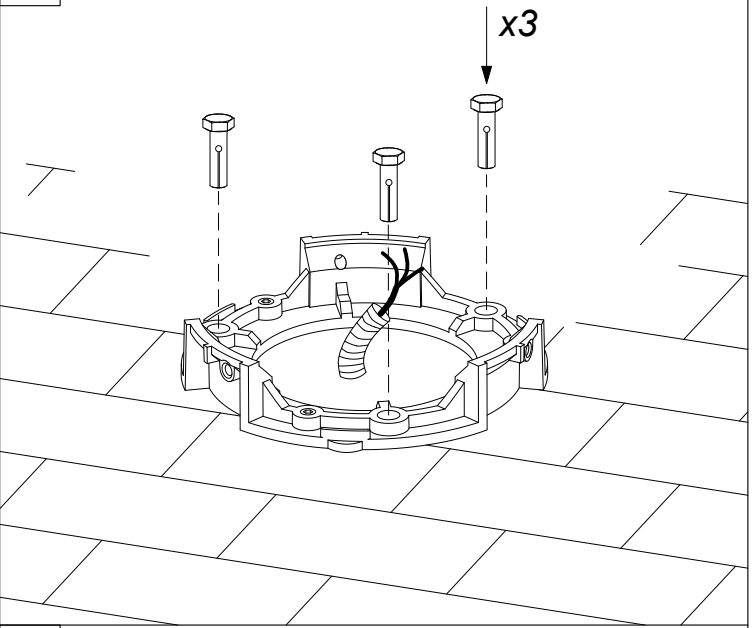
The photograph may not match the reference exactly. Please read the product description to identify the finish.



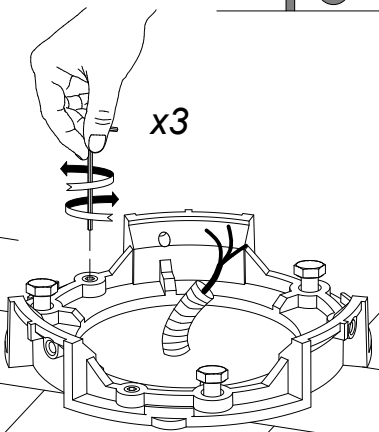
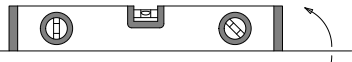
1



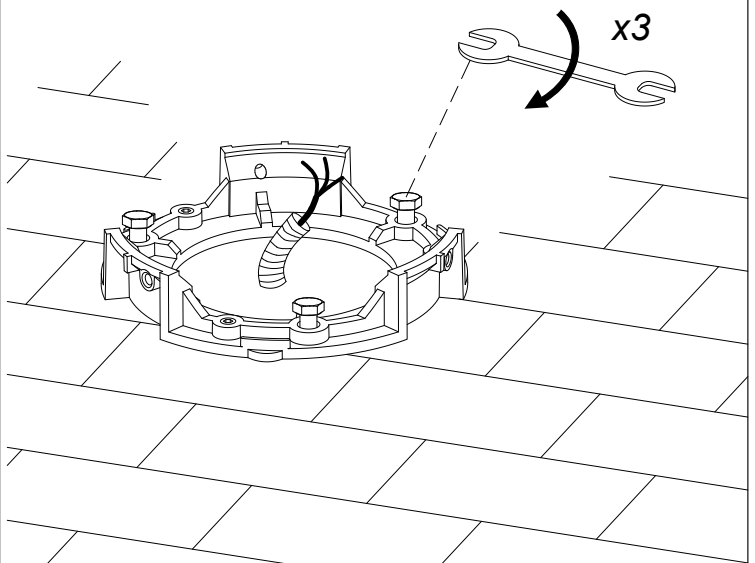
2



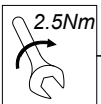
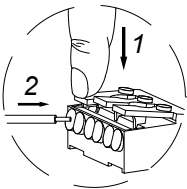
3



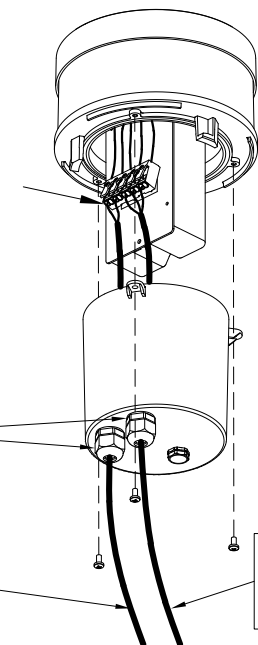
4



5



DAI (optional)
Ømin=5mm
Ømax=10mm



MAINS (220-240V)
Ømin=5mm
Ømax=10mm

6

