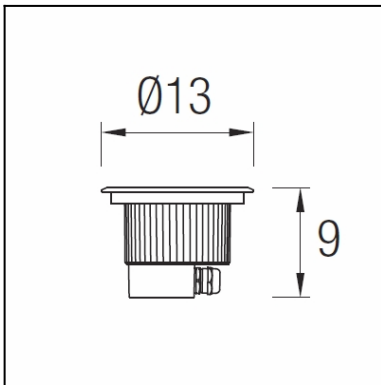
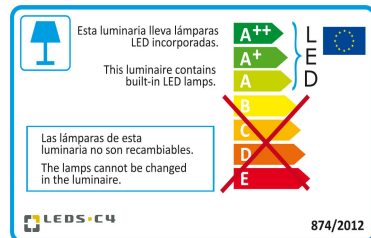




The photograph may not match the reference exactly. Please read the product description to identify the finish.



[Download photometric file .ldt / .ies](#)



[Click on image to download energy label](#)

## TECHNICAL CHARACTERISTICS

Type:	UPLIGHT RECESSED
Adjustable:	Adjustable $\pm 15^\circ$ on the vertical axis
IP Protection degrees:	IP67
IK Protection degrees:	IK10
Recessed in-ground suitable for pedestrian crossing:	Si
Light source 1:	3 x LED Philips 6W Warm White - 3000K 522 lm <sup>(N)</sup> CRI 80
Total power consumption (W):	8.9W
Angle of the optics / Reflector:	45° filter diffuser, 25°
Voltage / Frequency:	100-240V/50-60Hz
Warranty (Years):	2
Option to extend the guarantee (Years):	5
Units per box:	4
Net Weight (Kg):	1.05
EAN:	8435381438777



## MATERIALS / FINISHES

<b>Structure material:</b>	Stainless steel AISI316 High purity aluminium	<b>Diffuser material:</b>	Glass
<b>Structure finish:</b>	Polished Black	<b>Diffuser finish:</b>	Tempered

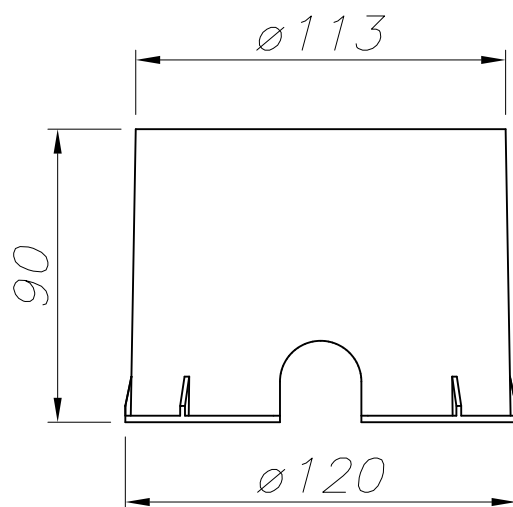
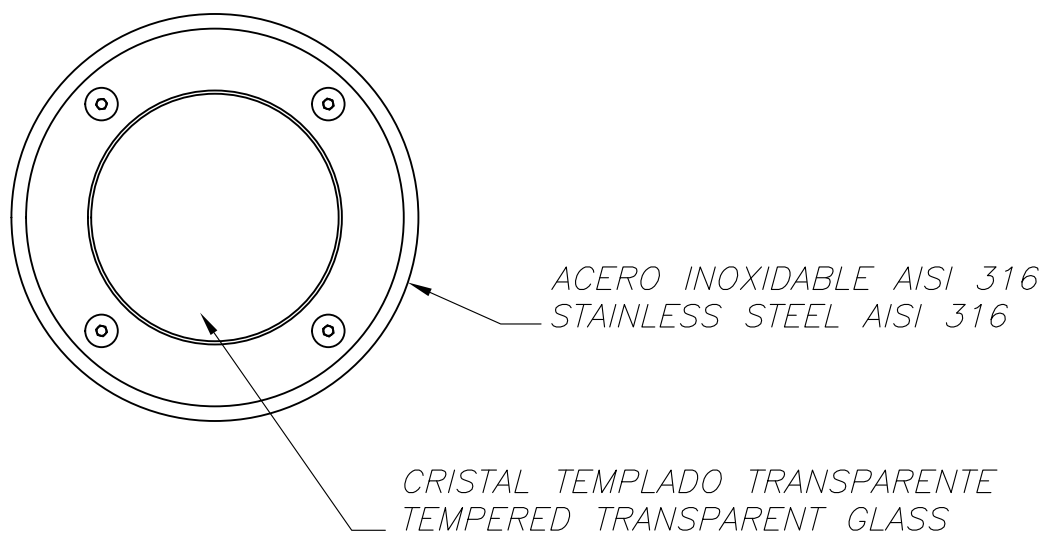
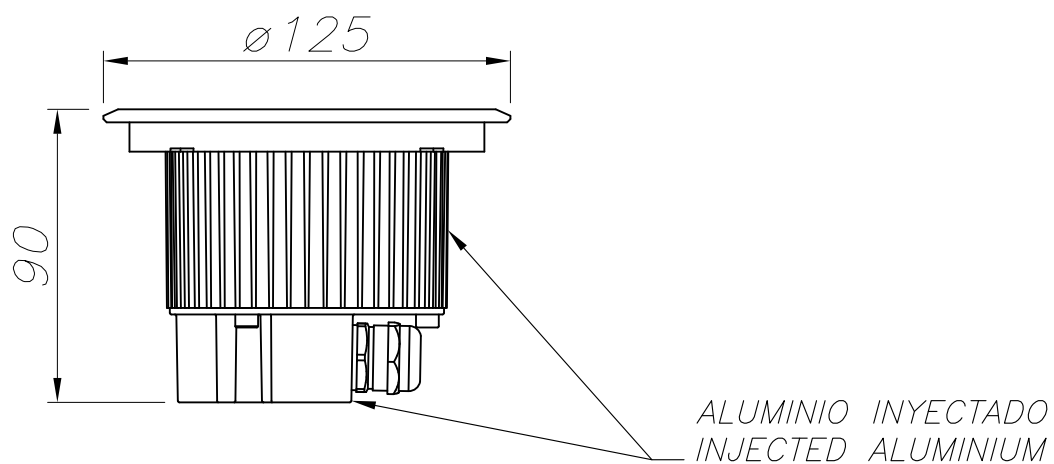
## GEAR

Multi-voltage electronic gear included (100-240V / 50-60Hz)

Lm<sup>(N)</sup>: Nominal flow of light in actual working conditions. Its actual flow will depend on the environmental conditions and the efficiency of the optics and/or diffuser.

LEDS-C4 reserves the right to make the necessary technical changes they deem adequate, in order to improve the features of the product.

Please consult the sales team to clarify any doubt.



CAJA DE EMPOTRAR  
FLUSH FITTING BOX

①

10l / 15min

25cm

②

OFF

55-9663

8

ø87,5

55-9665/7

10

ø137

Ømin=5mm  
Ømax=10mm

5Nm

③

④

A

B

⑤ OPTION WARM FILTER / FROSTED FILTER

①

FILTER

②

⑥

ON

55-9663

55-9665

55-9667

Max 20KN (2000Kg)

Max 18KN (1800Kg)