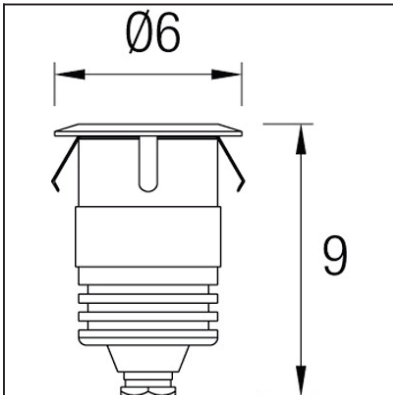




The photograph may not match the reference exactly. Please read the product description to identify the finish.



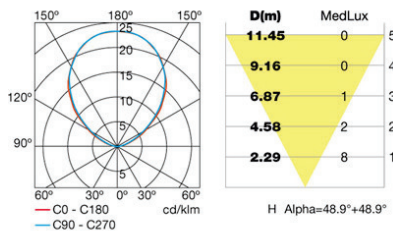
TECHNICAL CHARACTERISTICS

Type:	UPLIGHT RECESSED
IP Protection degrees:	IP67
IK Protection degrees:	IK10
Recessed in-ground suitable for pedestrian crossing:	Si
Light source 1:	1 x LED Cree 1W Neutral white - 4000K 107 lm ^(N) CRI 75
Total power consumption (W):	2.2
Voltage / Frequency:	100-240V/50-60Hz
Warranty (Years):	2
Option to extend the guarantee (Years):	5
Units per box:	24
Net Weight (Kg):	0.4
EAN:	8435111089927



MATERIALS / FINISHES

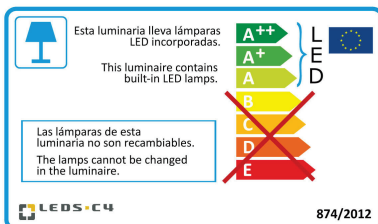
Structure material:	Anodized aluminium	Diffuser material:	Glass
Structure finish:	Anodized	Diffuser finish:	Tempered



GEAR

Multi-voltage electronic gear included (100-240V / 50-60Hz)

Download photometric file .ldt / .ies



L_n: Nominal flow of light in actual working conditions. Its actual flow will depend on the environmental conditions and the efficiency of the optics and/or diffuser.

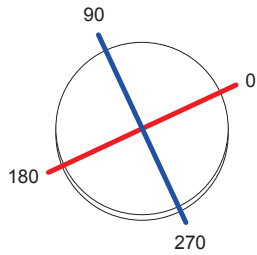
Leds-c4 reserves the right to make the necessary technical changes they deem adequate, in order to improve the features of the product.
Please consult the sales team to clarify any doubt.

(+34) 973 468 100
leds-c4@leds-c4.com
www.leds-c4.com

Luminaria		Ensayo		Lámpara	
Código	55-9620	Código	55-9620	Código	55-9620
Nombre	Downlight led	Nombre	Downlight led	Número	1
Familia	- LEDS C4 LEDS	Fecha	17-11-2011	Posición	Universal
Rendimiento	100.00%	Sist. de Coorden.	C-G	Flujo Total	52.29 lm
Valor Máximo	23.32 cd	Posición	C=0.00 G=0.00	Bisimétrico	
Luminaria Redonda Empotrada	Diam.	62 mm	Altura	4 mm	
Área Luminosa Redonda	Diam.	26 mm	Altura	0 mm	
Área Luminosa Horizontal	0.000531 m2		Área Emisión sobre Pl. 180°	0.000000 m2	
Área Emisión sobre Pl. 0°	0.000000 m2		Área Emisión sobre Pl. 270°	0.000000 m2	
Área Emisión sobre Pl. 90°	0.000000 m2		Área de deslumbramiento a 76°	0.000128 m2	
Tipo de Simetría	Bisimétrico		Máximo Ángulo Gamma	180	
Distancia de Ensayo	6.44		Flujo de Ensayo	52.29 lm	
Operador	Asselum T2		Tensión de alimentación	230.00 V	
Temperatura	22.00 °C		Corr. aliment.		
Humedad	50.00 %		Fotocélula	PRC	
Notas					

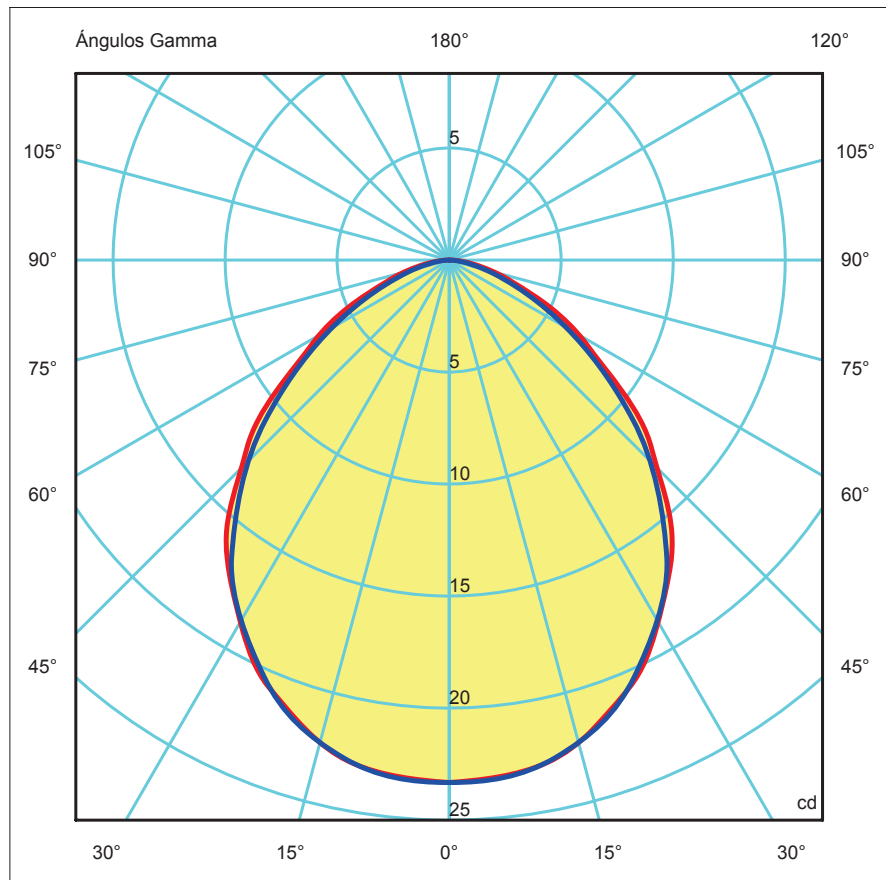
Lámparas de la Luminaria						
Familia	Código	Nombre	Flujo/lm	Pot.W	Cant.	
- LEDS C4 LEDS	55-9620	Lámpara led blanco	52.29	2.00	1	
C.I.E.	57 87 98 100 100	D DIN 5040				A40
F UTE	1.00 D + 0.00 T	B NBN				BZ 3

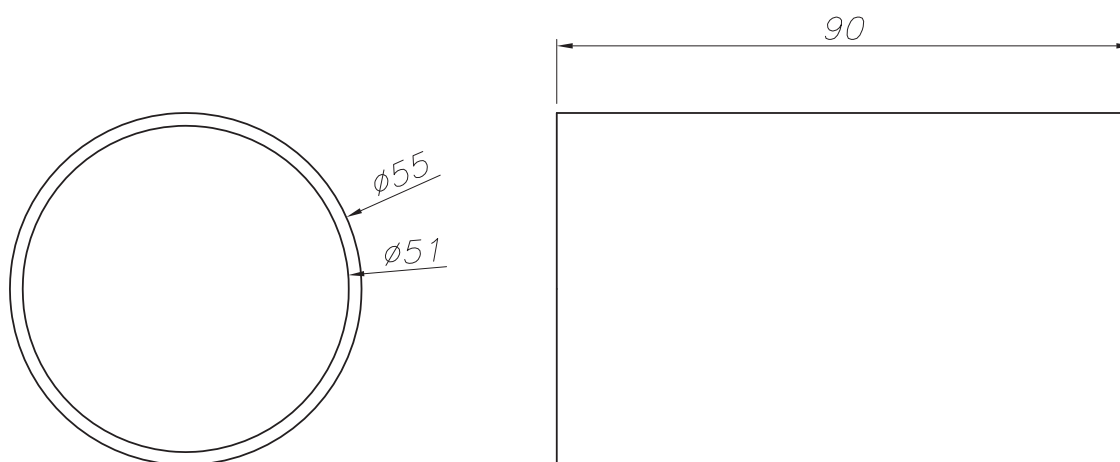
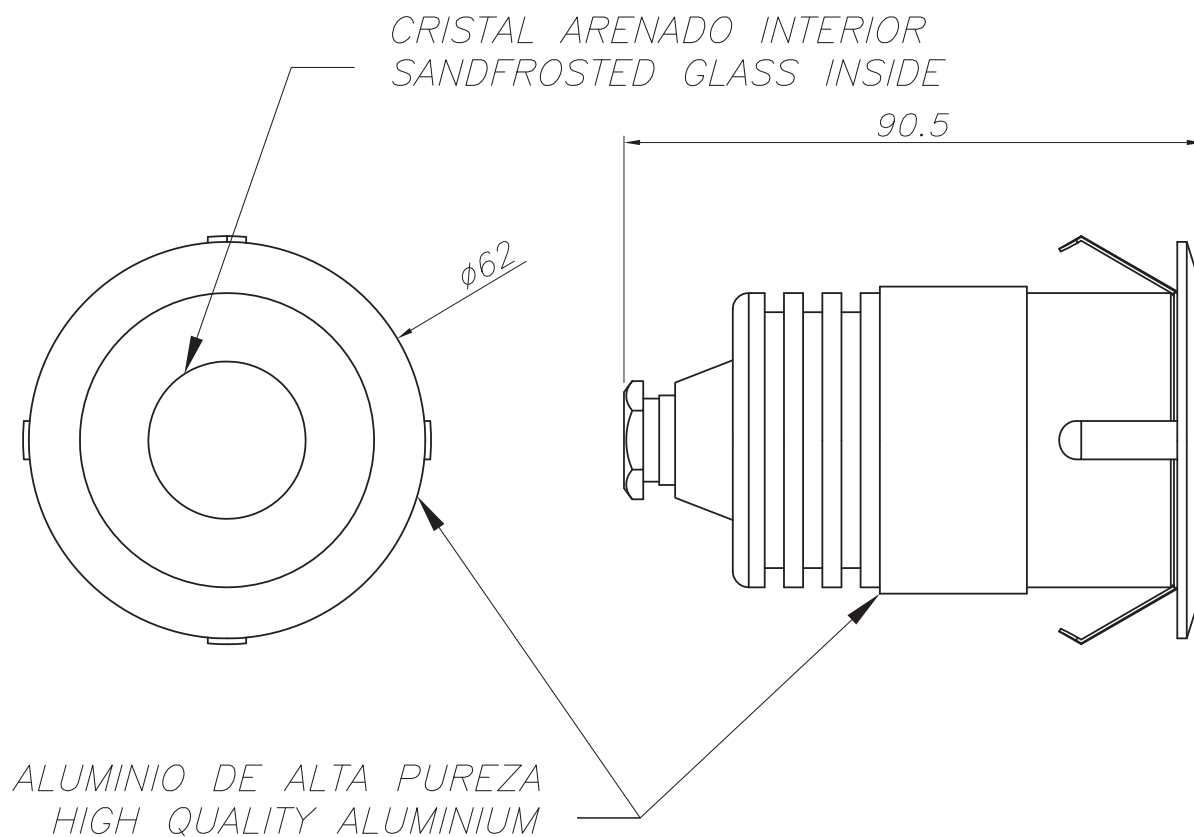
Diam=62mm Incasso



Semiplanos C
 180.0 — 0.0
 270.0 — 90.0

ULOR 0.10 %
 DLOR 99.90 %
 RN 0.10 %





*CAJA DE EMPOTRAR
FLUSH FITTING BOX*

