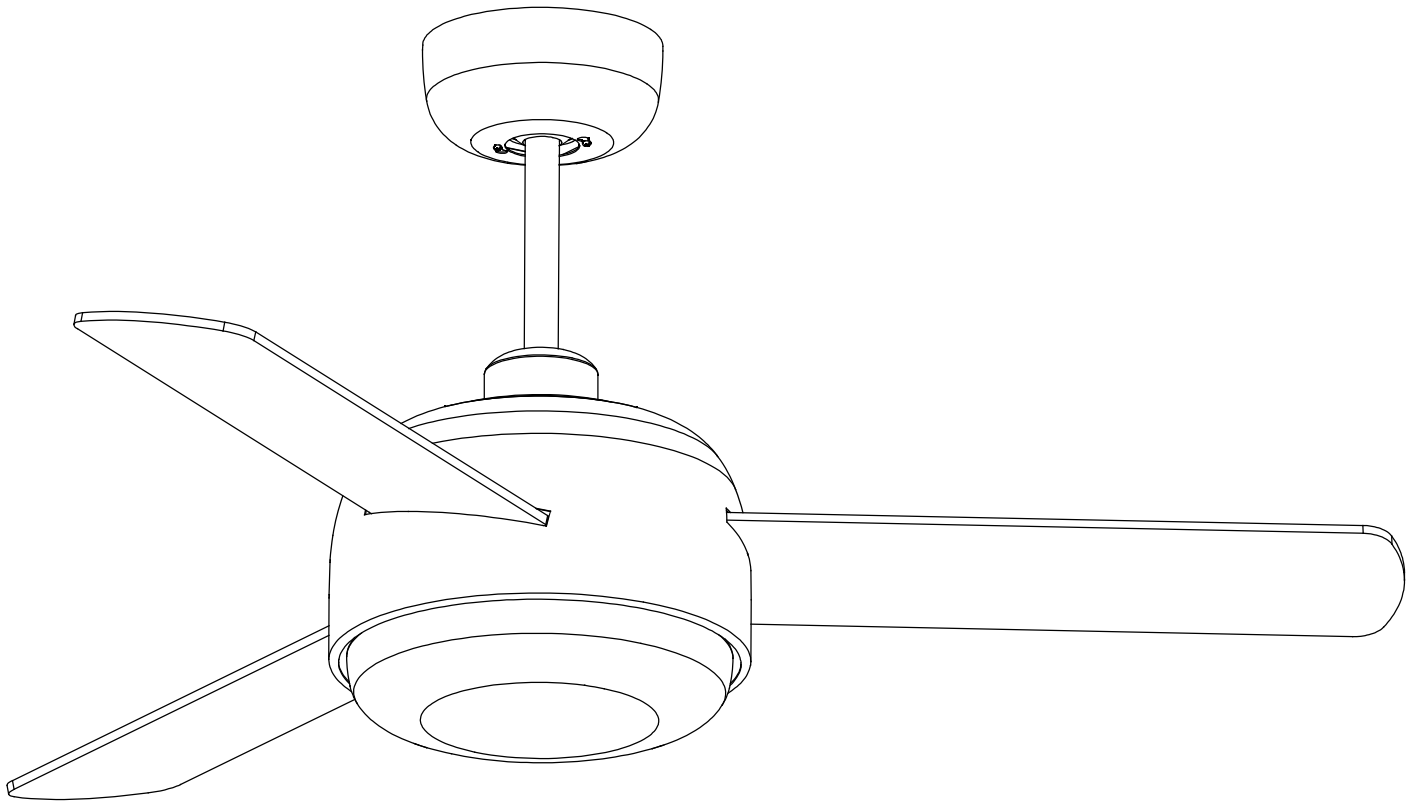




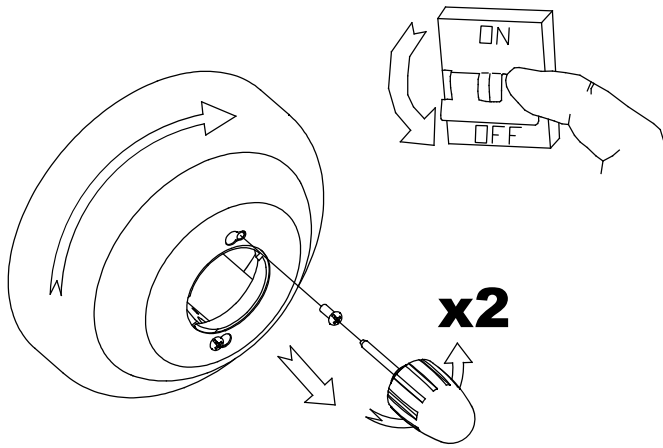
LED S-C4



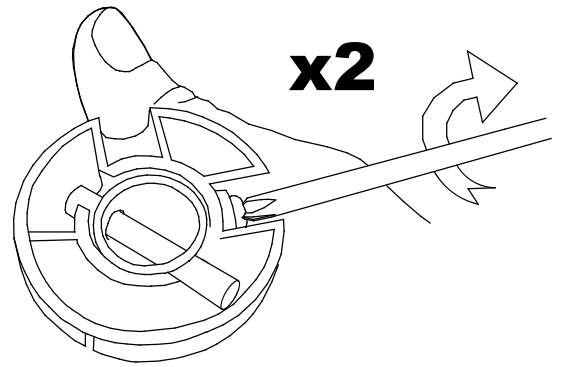
30-4864



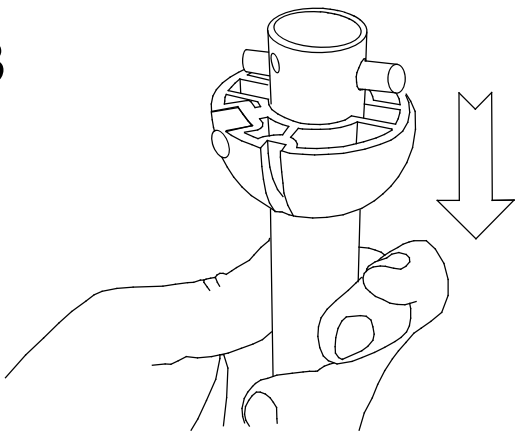
1



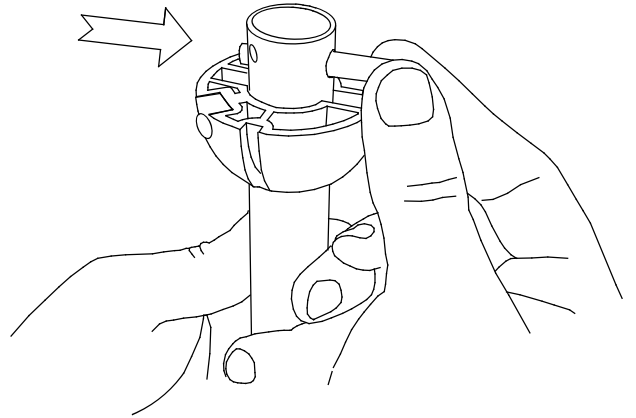
2



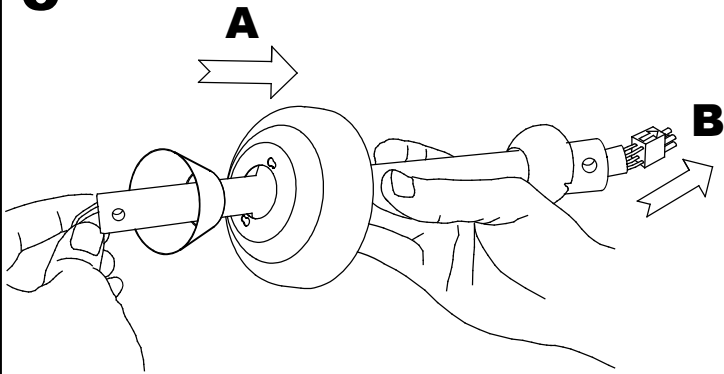
3



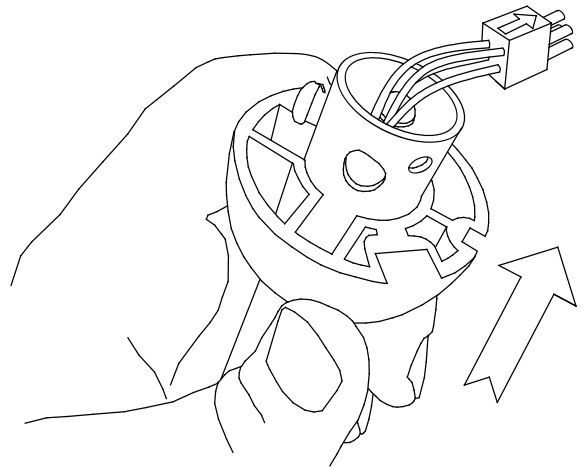
4



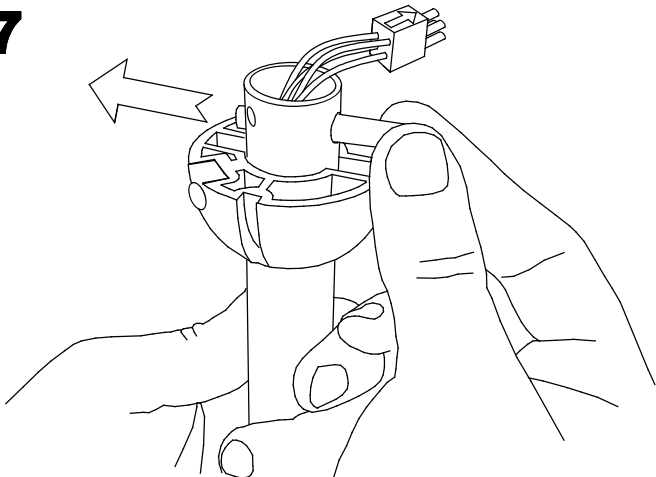
5



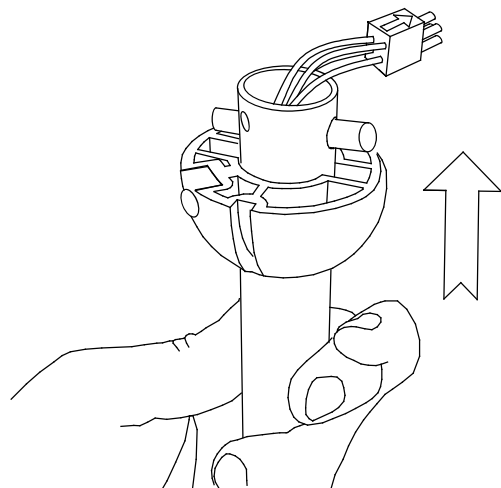
6



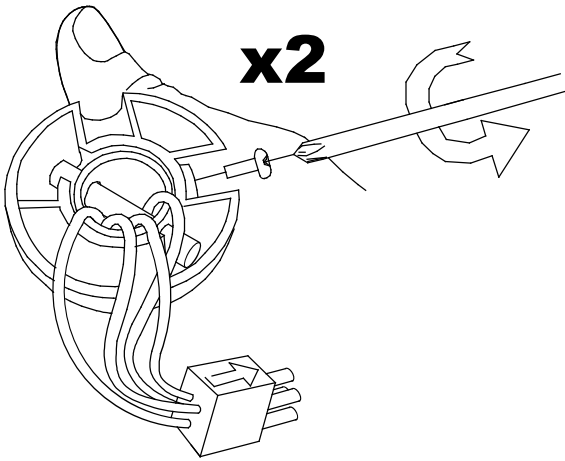
7



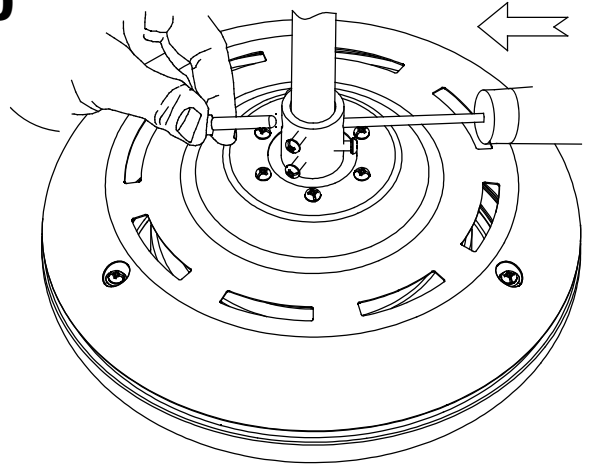
8



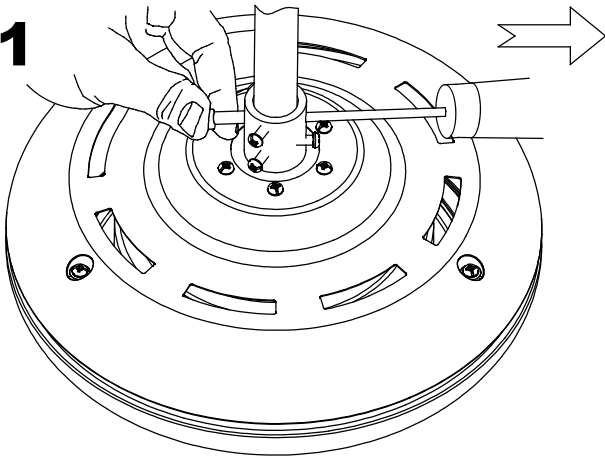
9



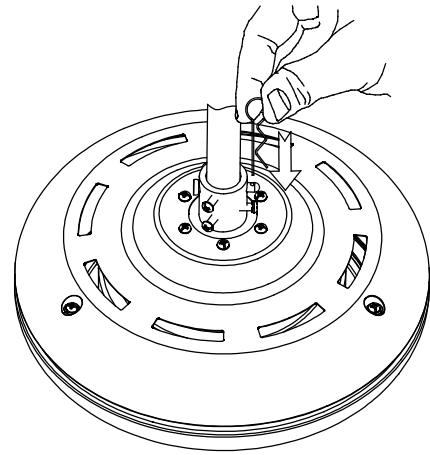
10



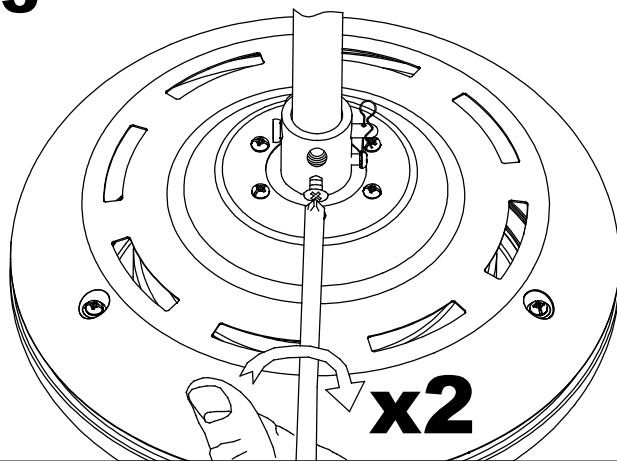
11



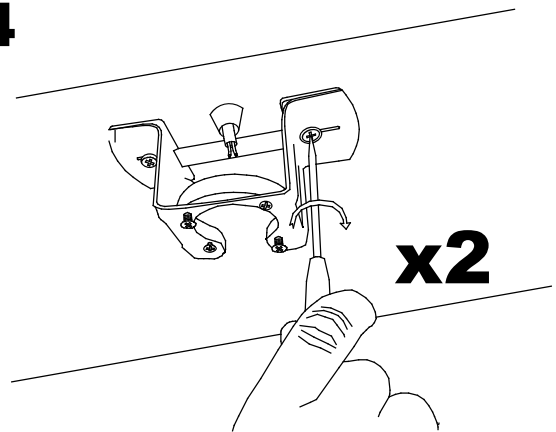
12



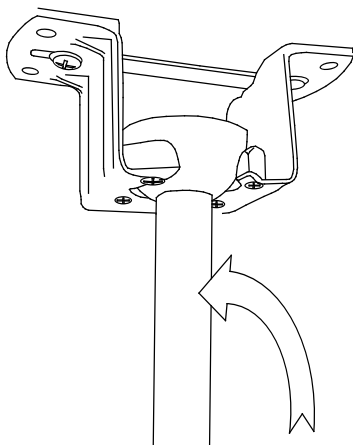
13



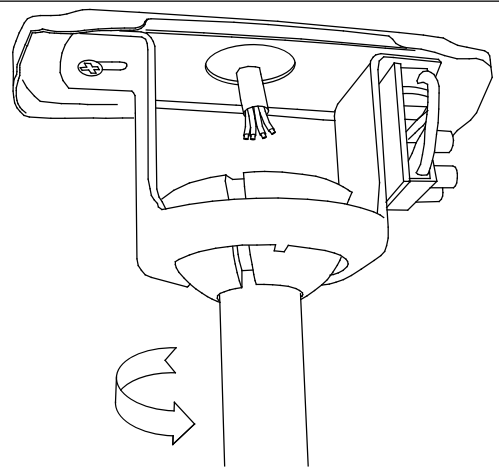
14



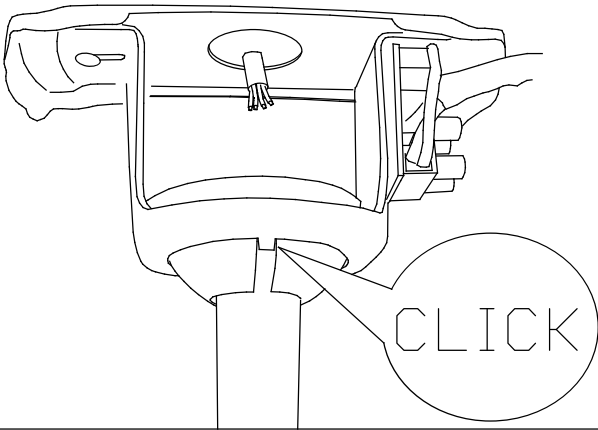
15



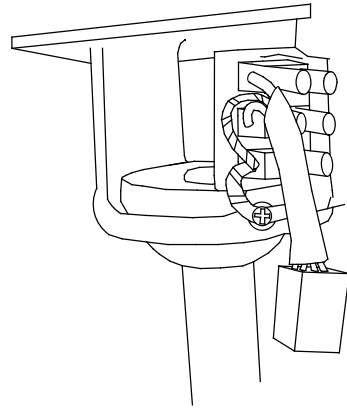
16



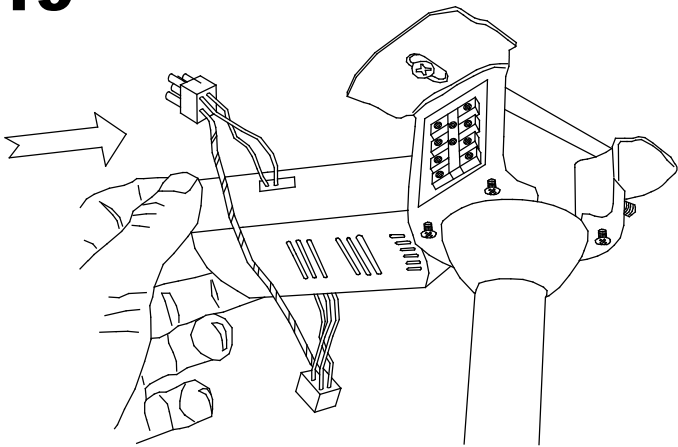
17



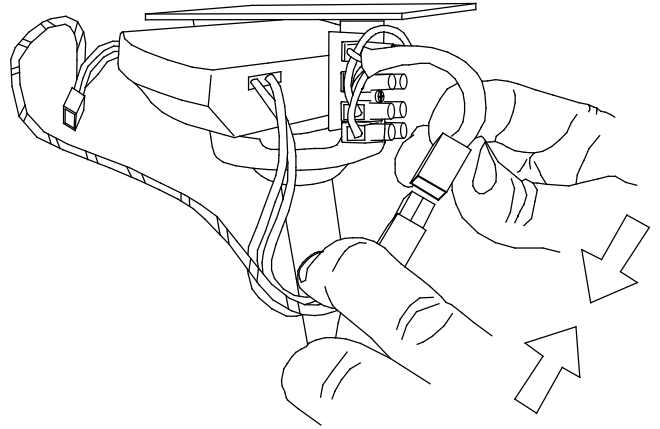
18



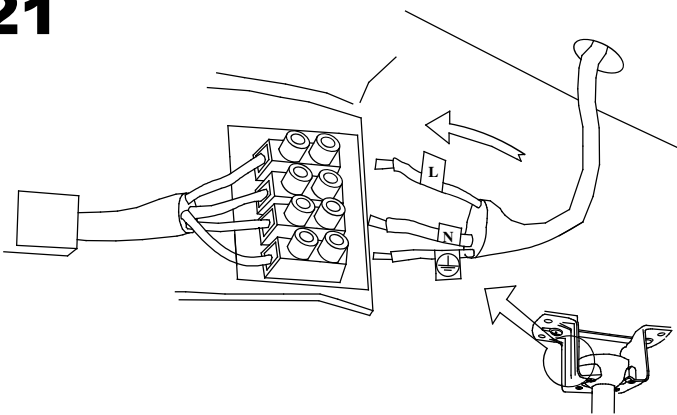
19



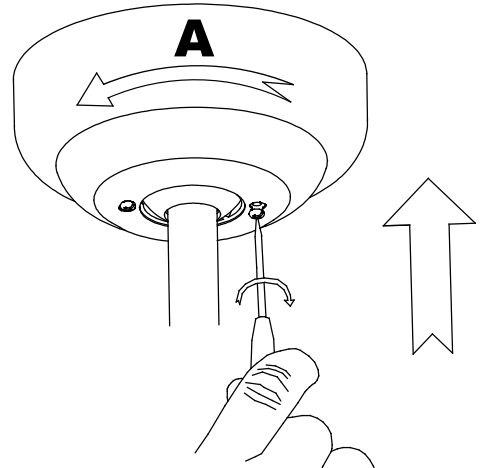
20



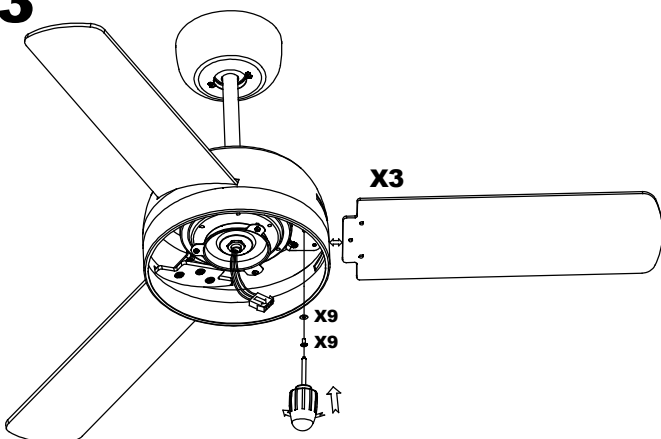
21



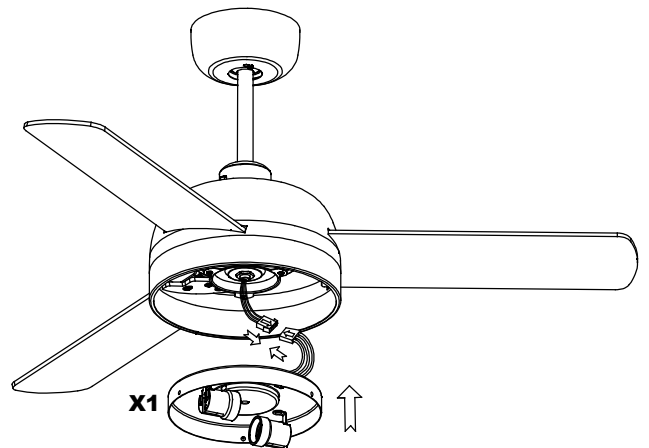
22



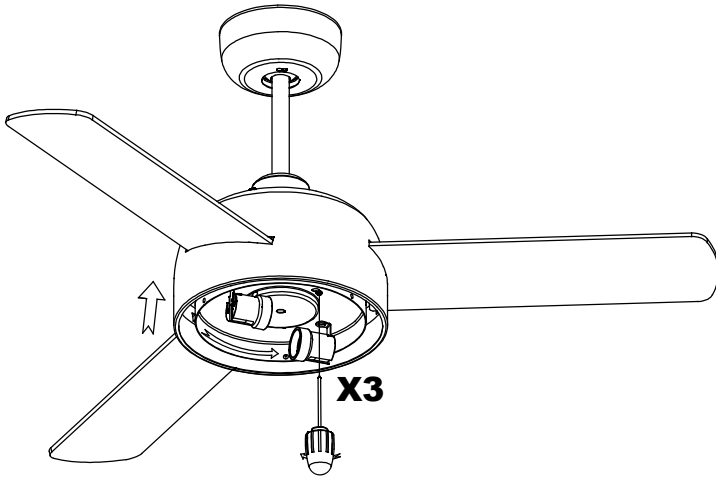
23



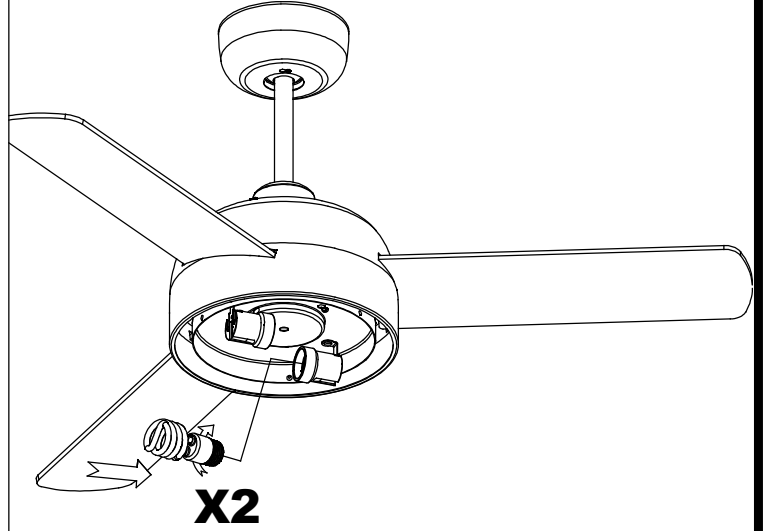
24



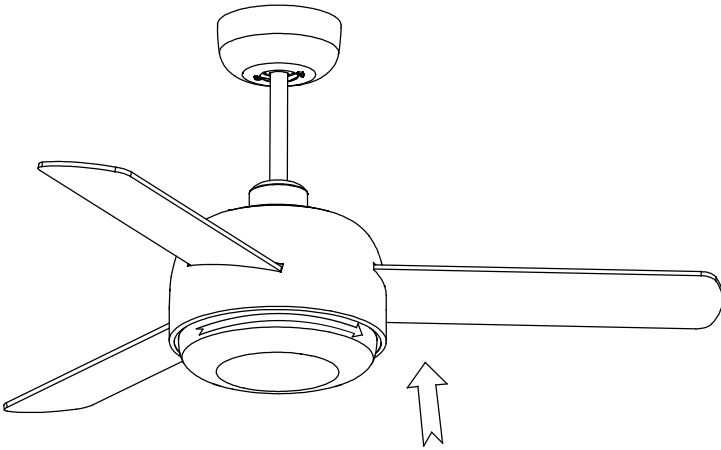
25



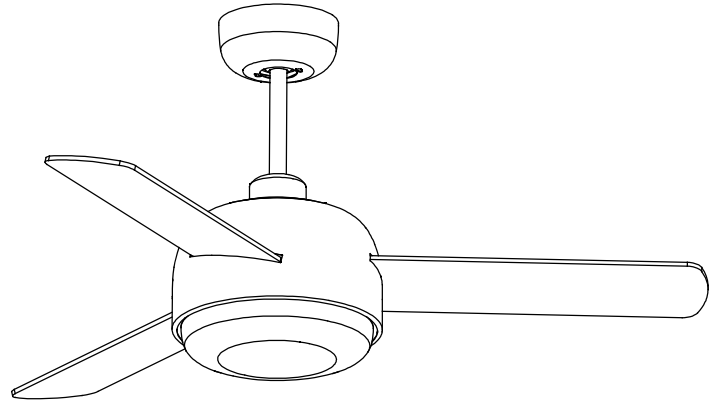
26

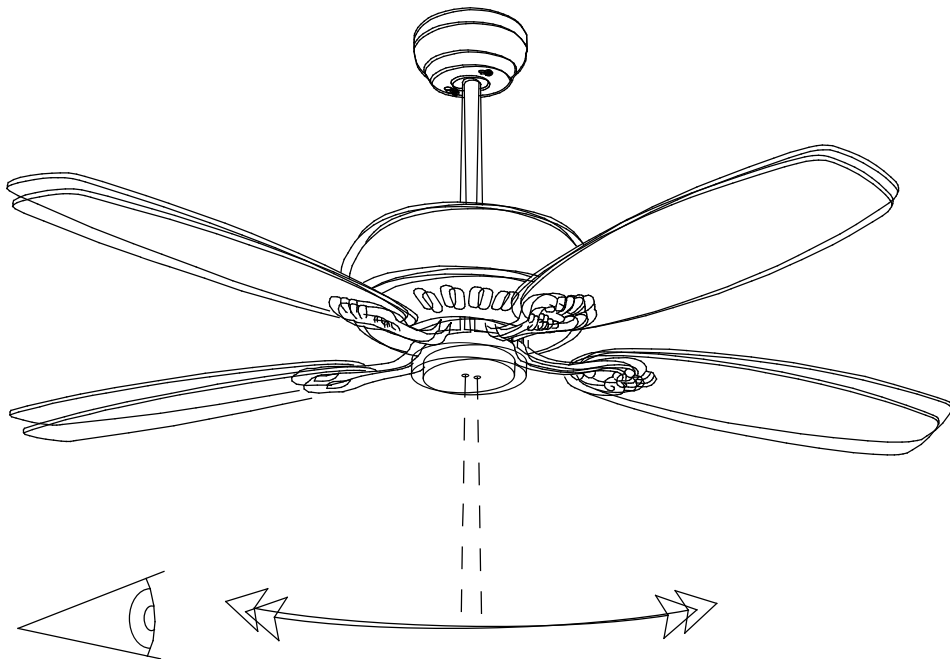
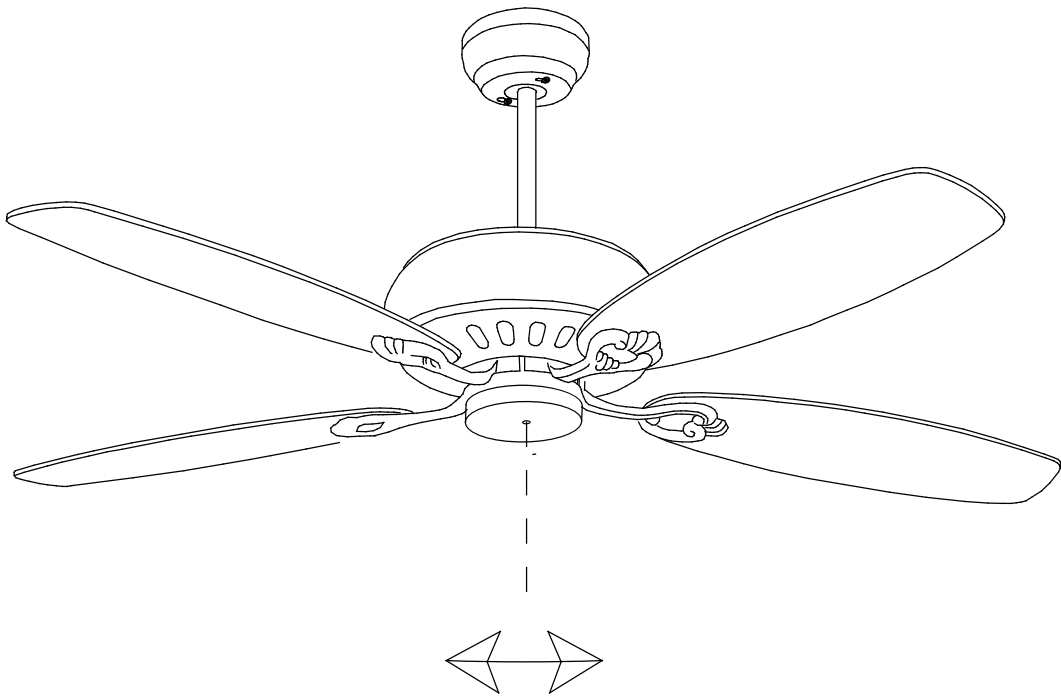
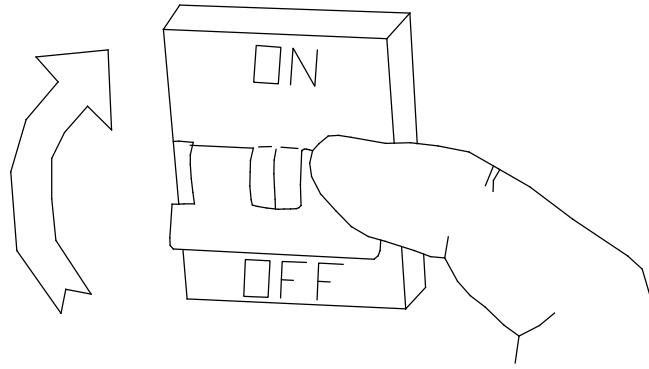


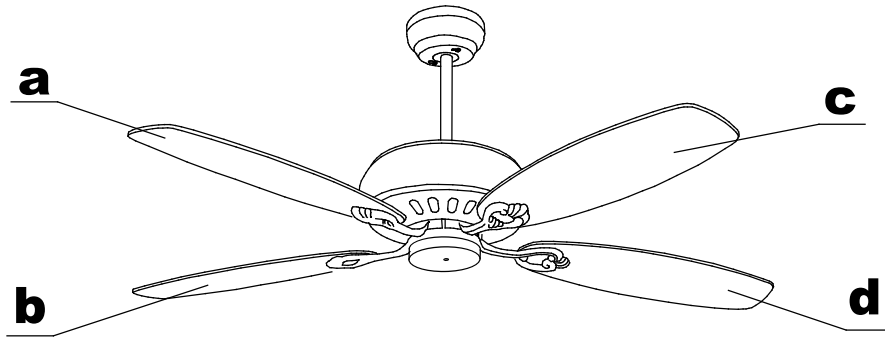
27



28







1

Diagram 1 shows blade 'a' being secured with a screw. The fan is shown with a remote control and three screws. The fan is tilted downwards, indicated by a dashed line and a curved arrow. The result is **NO**.

2

Diagram 2 shows blade 'b' being secured with a screw. The fan is shown with a remote control and three screws. The fan is tilted downwards, indicated by a dashed line and a curved arrow. The result is **NO**.

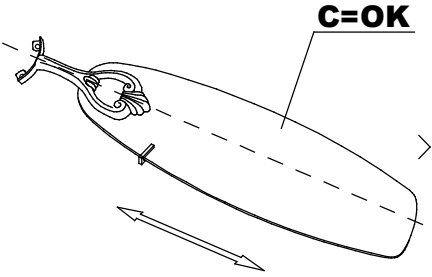
3

Diagram 3 shows blade 'c' being secured with a screw. The fan is shown with a remote control and three screws. The fan is tilted horizontally, indicated by a dashed line and a double-headed arrow. The result is **OK**.

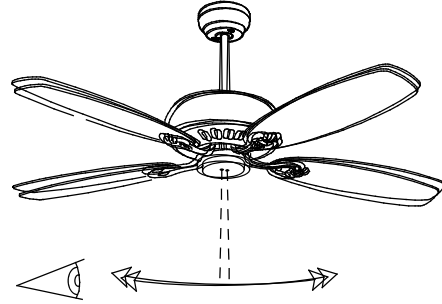
4

Diagram 4 shows blade 'd' being secured with a screw. The fan is shown with a remote control and three screws. The fan is tilted downwards, indicated by a dashed line and a curved arrow. The result is **NO**.

5

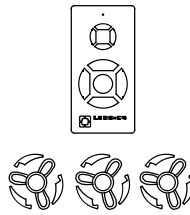
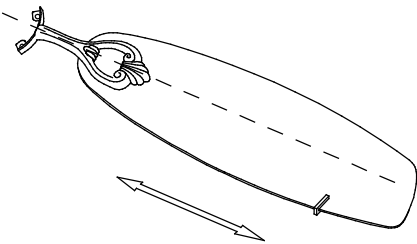


ON

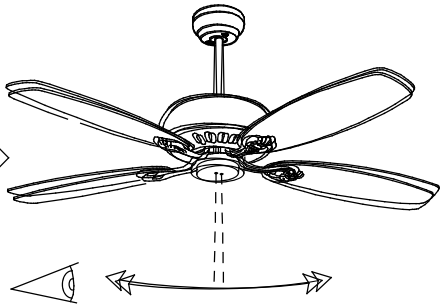


= NO

6

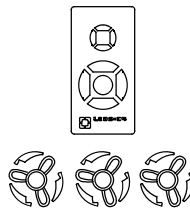
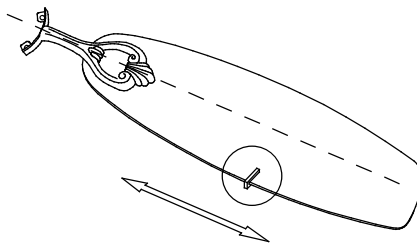


ON

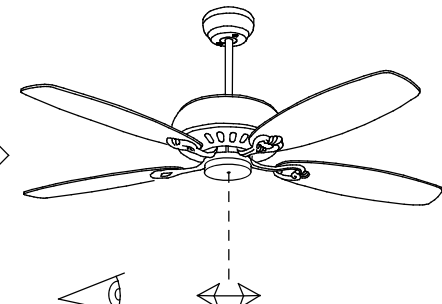


= NO

7



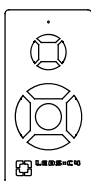
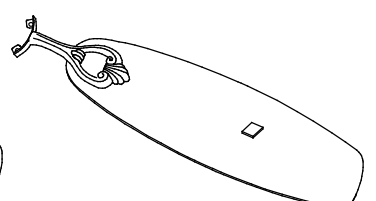
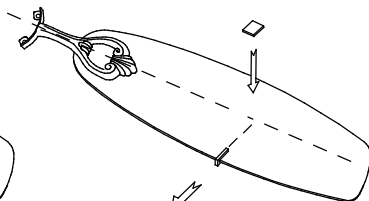
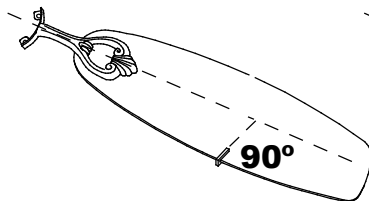
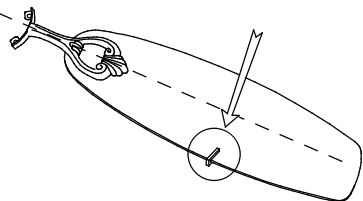
ON



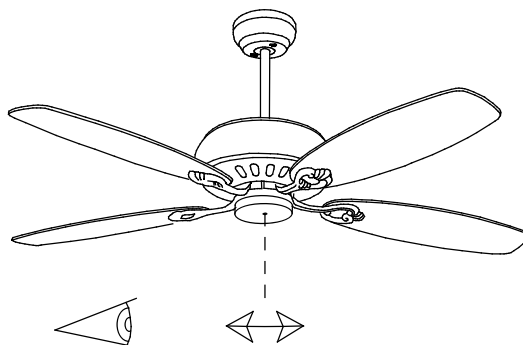
= OK

8

OK



ON



= OK