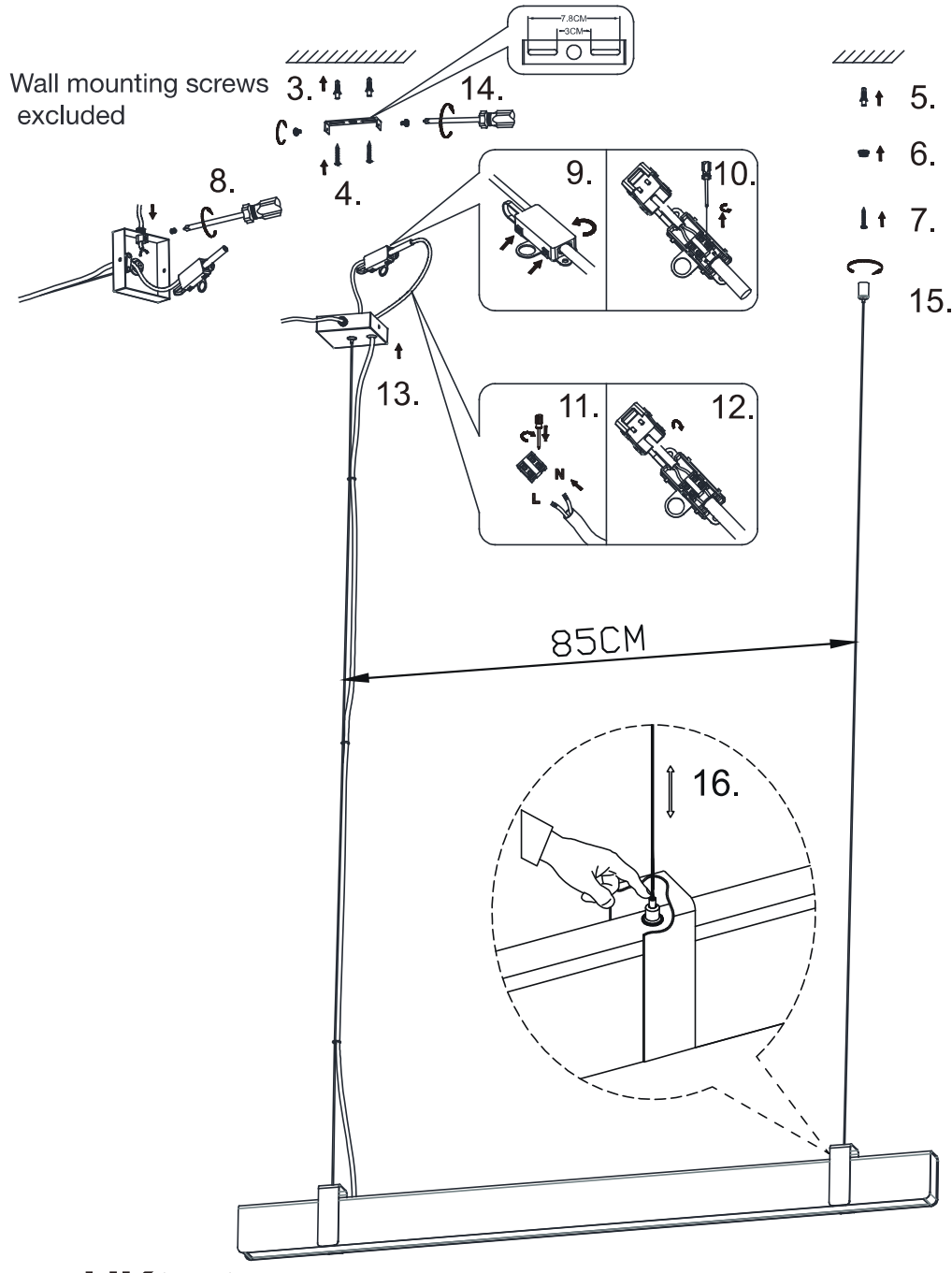
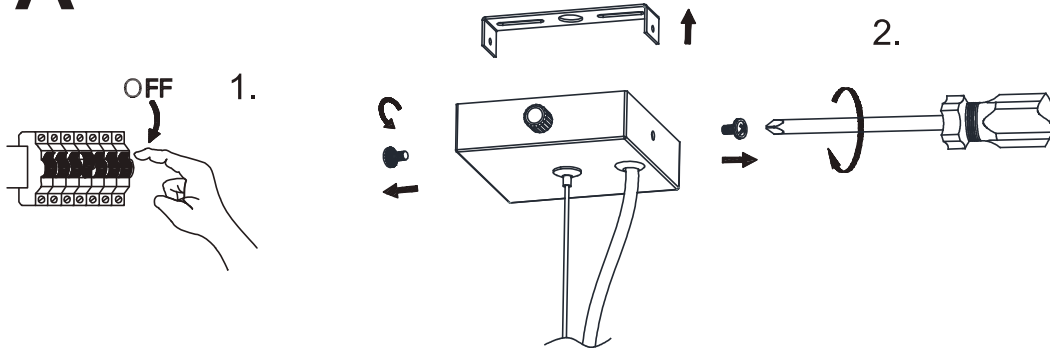


A



The product contains one light source of energy efficiency class (E)

LILT

**B**

