



## Caprice ø240mm

Ceiling fixture Caprice ø240mm LED 14.1 SW 2700-3000-4000K PHASE CUT White 896lm

### Technical features

- Luminaire total power: 14.1W
- Real lumens: 896 (3000K)
- Real lm/W: 64
- Correlated Colour Temperature (CCT): SW 2700-3000-4000K
- Lens / reflector angle: HORIZONTAL 112°
- Structure material: Steel
- Structure finish: White
- Diffuser material: Acrylic
- Diffuser finish: White
- Voltage / frequency: 220-240V/50-60Hz
- Dimming protocol: PHASE CUT
- Power Factor: 0.92
- Useful life: 50,000h L80B20
- Warranty: 5 años



### Luminotechnic features

- CRI: 90
- MacAdam steps: 5
- Photobiological risk: RGO

UGR		Lampholder	Quantity	Light source power (W)
S=0.250				
Ceiling / cavity	0.7	LED	1	12.9W
Walls	0.5			
Working Plane	0.2			
Room dimensions	X=4H, Y=8H			
UGR crosswise	23.1			
UGR lengthwise	23.1			

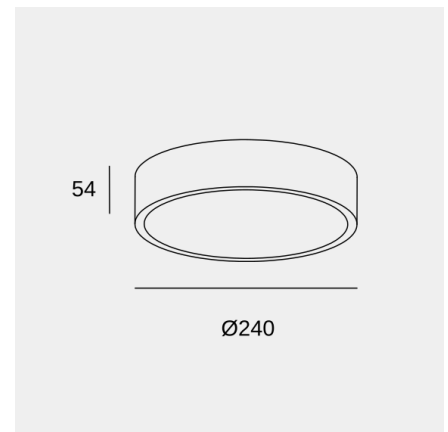


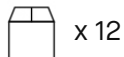
Image may not match reference. LedsC4 reserves the right to amend any of the product's components. The data related to flux, power and colour temperature may be subject to changes made by the manufacturer.



## Caprice ø240mm

Ceiling fixture Caprice ø240mm LED 14.1 SW 2700-3000-4000K PHASE CUT White 896lm

### Logistics



x 12

Net weight (kg): 0.79

Packaged weight (kg): 1.23

Packaging: 280mm x 75mm x 275mm

### Light application



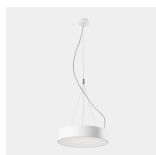
Image may not match reference. LedsC4 reserves the right to amend any of the product's components. The data related to flux, power and colour temperature may be subject to changes made by the manufacturer.



## Caprice ø240mm

Ceiling fixture Caprice ø240mm LED 14.1 SW 2700-3000-4000K PHASE CUT White 896lm

### Optional accessories



71-6196-14-14

White suspension kit

Structure material: Steel  
Dimensions: Ø85 x NA x 20  
Net weight (kg): 0.3

Image may not match reference. LedsC4 reserves the right to amend any of the product's components. The data related to flux, power and colour temperature may be subject to changes made by the manufacturer.