

# ENDON®

## Shaded Incandescent Bulb Wall Fittings

### INSTRUCTION MANUAL

#### Assembly/ User Instructions

Please read these instructions carefully before fitting your new light and retain for reference.

#### For Indoor use only

This pack contains:

1 x Light Fitting  
Fixing Bracket, (or special attachment) with nuts,  
screws & washers as required by design  
Screws, wall plugs - quantities as required  
Terminal Blocks as required by specific  
instructions  
Appropriate Shades

Tools required:

Drill & assorted drill bits  
Safety glasses  
Small electrical screw driver  
Medium cross head screwdriver  
Medium flat head screwdriver  
Small Pliers with wire stripper  
Electrical Insulation Tape.


#### Safety Warnings

**If in doubt we recommend you contact a qualified electrician. Before installing your light fitting always: Switch off the mains supply and remove the appropriate fuse or switch off the appropriate circuit breaker before commencing installation.**

**Ensure that no one else has access that would enable the supply to be inadvertently reconnected.**

This product is only suitable for connection to 240V~50Hz supply in accordance with Part P, UK Building Regulations and current IEE Wiring Regulations and is not suitable for a Bathroom location.

The light fitting should be connected to a lighting circuit protected by a 5 amp fuse (or a 6 amp miniature circuit breaker).

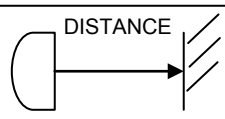
**If the Class II, Double Insulated symbol  is on the Light Fitting then the Fitting does not require an Earth and Live or Neutral must not be connected to Earth. If there is no such symbol the Fitting must be Earthed. The terminal blocks are supplied according to requirements of the fitting.**

If any modification is made it will invalidate the warranty and may render the product unsafe.

This type of Light Fitting may be connected to a Dimmer but seek advice before purchase.

If there is a "Minimum Distance" Label, please do not allow Flammable Materials to rest within that distance from the lamps. **Never cover any light fitting, this can dangerously overheat the fitting.**

Minimum Distance: This is the symbol which denotes this requirement.



Luminaires not suitable for direct mounting  
On normally flammable surfaces (surface  
Mounted)



**If the Light Fitting must not be mounted on combustible surfaces there will be the above symbol on it.**

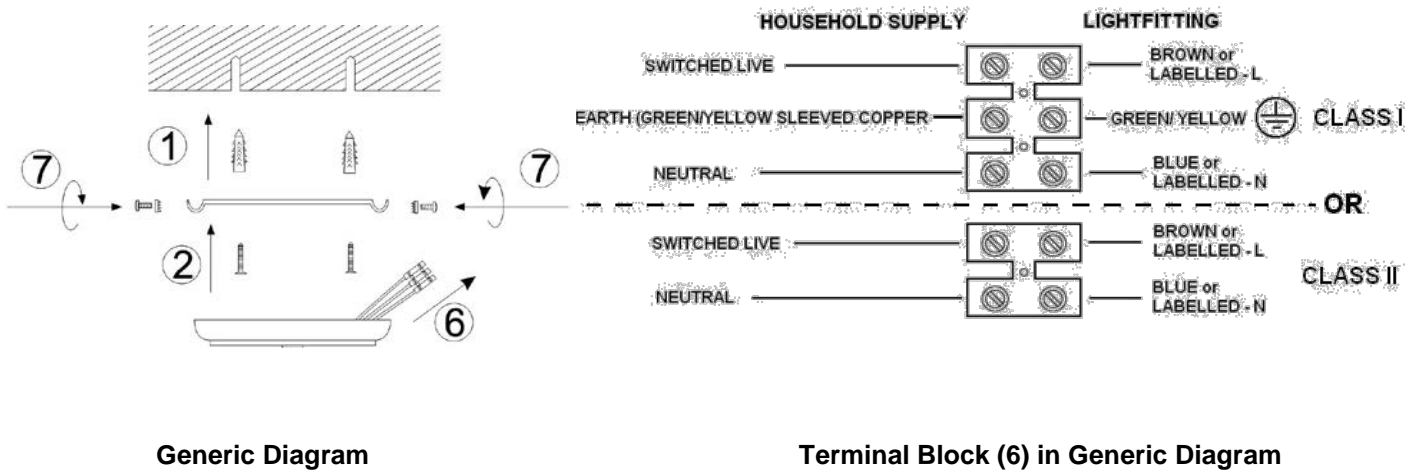
**If there is no symbol then the Light Fitting may be mounted on any surface, including combustible ones.**

#### Assembly/ User Instructions

1. Remove existing light fitting. Ensure there is a solid mounting, preferably a brick or block wall. If the wall is timber frame and plasterboard construction then please use appropriate fixings for plasterboard or screw directly into the timber frame. Ensure the fixing can support the weight of the wall light.
2. Refer to generic diagram; the fixing bracket must be screwed to the wall on a horizontal line, this view is from above for clarity. Other methods of attachment are shown on the specific instruction sheet.
3. Unscrew the side screws (7) partially if their fixings are "L" slots or completely, if fixings are holes; retain screws and washers. Remove the fixing bracket and use this as a template to mark the screw holes for your chosen location. Whatever the method of attachment some part of the fitting will be used as a drill template.

## Assembly/ User Instructions continued

4. Fix the bracket (if used) in the location using the screws **(2)** and plugs **(1)** supplied. Fix other attachment parts to the wall as appropriate.
5. Support your fitting and connect the house wiring according to the Terminal Block diagram. Ensure no strands of wire escape the Terminal Block **(6)**. When you are sure of the connections wrap the Terminal Block and overlap the wiring both sides 2cm with 2 layers of insulation tape. Fixed Terminal Blocks with an Insulation plate underneath them do not require further insulation. Sometimes terminal blocks in closed boxes are used; these do not require taping. See specific instructions.
6. Fix your fitting in position by reversing step 3 ensuring no wires are damaged, trapped or left exposed.
7. Fix the shades onto the lamp arms, usually these are held on by shade rings which screw onto the lampholders, over the top of the lampshade's gimbal or to hold the glass shade from inside. Shades can be fixed by other means.
8. Install the Bulbs, do not install bulbs with a greater wattage or different shape than specified on the label. Energy saving replacement bulbs run much cooler so larger equivalent light outputs may be used.
9. Some fittings may have "Strings" of beads and drops which must be attached after the actual installation of the Light Fitting, please refer to the additional sheet if this is the case.



## Care Information

All Light Fittings for UK Market are designed for 240V ac, 50 Hz (220-240V ac)  
 Please retain these instructions for future reference.  
 Switch off and allow 10 minutes to cool before cleaning, use only dry cloth.

# ENDON®

144-2AN / 2AS - 2 Light Wall brackets.

## INSTRUCTION MANUAL

### Safety Warnings

These products are only suitable for connection to a 240V~50Hz supply in accordance with current IEE wiring Regulations and should be installed in accordance with local Building Regulations and are for Domestic wall use only. They are not suitable for bathroom use.

The light fitting should be connected to a lighting circuit protected by a 5 amp fuse (or a 6 amp miniature circuit breaker).

If in doubt we recommend you contact a qualified electrician. Before installing your light fitting always:

**Switch off the mains supply and remove the appropriate fuse or switch off the appropriate circuit breaker before commencing installation.**

**Ensure that no one else has access that would enable the supply to be inadvertently reconnected.**

**Never fit bulbs of a higher wattage or of a type other than those specified on the label as this may cause overheating and damage the fitting.**

**Be careful during handling and maintenance to avoid breakage or damage to the fitting.**

**The bulbs become hot during use so please switch off and allow 10 minutes to cool before replacing bulbs or cleaning the fitting.**

**Clean with a dry cloth only. Do not use liquid or abrasive cleaners on this product.**

**If any modification is made it will invalidate the warranty and may render the product unsafe.**

### Before you start

**Please read these instructions carefully before fitting your new light and retain for reference.**

**Make sure that there are no pipes or cables beneath the mounting surface.**

Check the packaging and make sure that you have all the required parts.

Follow each assembly step in order to prevent incorrect assembly.

Make sure all screws / nuts, including electrical connections etc are fully tightened before use.

**This type of Light Fitting may be connected to a Dimmer if a Tungsten incandescent bulb is used. If a CFL type bulb is fitted then these cannot (generally) be controlled by a dimmer.**

#### The Light pack contains:

Switched Light fitting and mounting bracket.  
Terminal connection block(s).

#### The following tools may be required:

Selection of cross and flat head screwdrivers.  
Electric drill and assorted drill bits.  
Wire strippers.

These assembly diagrams are intended as a guide – if in doubt consult a qualified electrician.

Diagram A

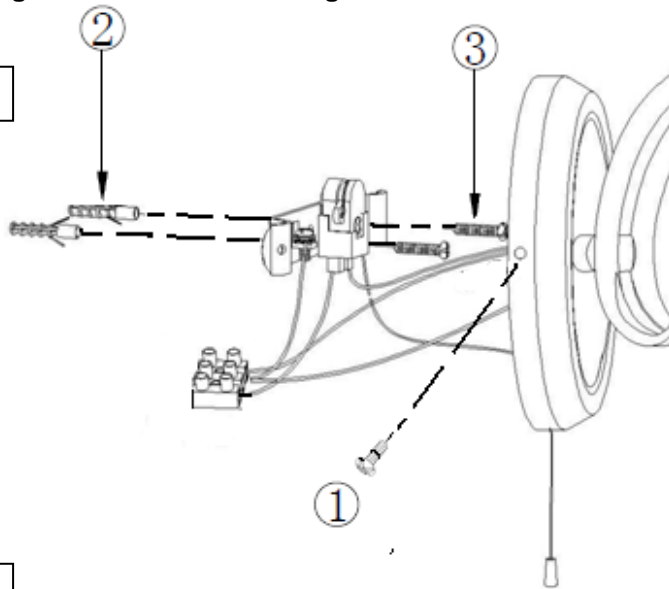
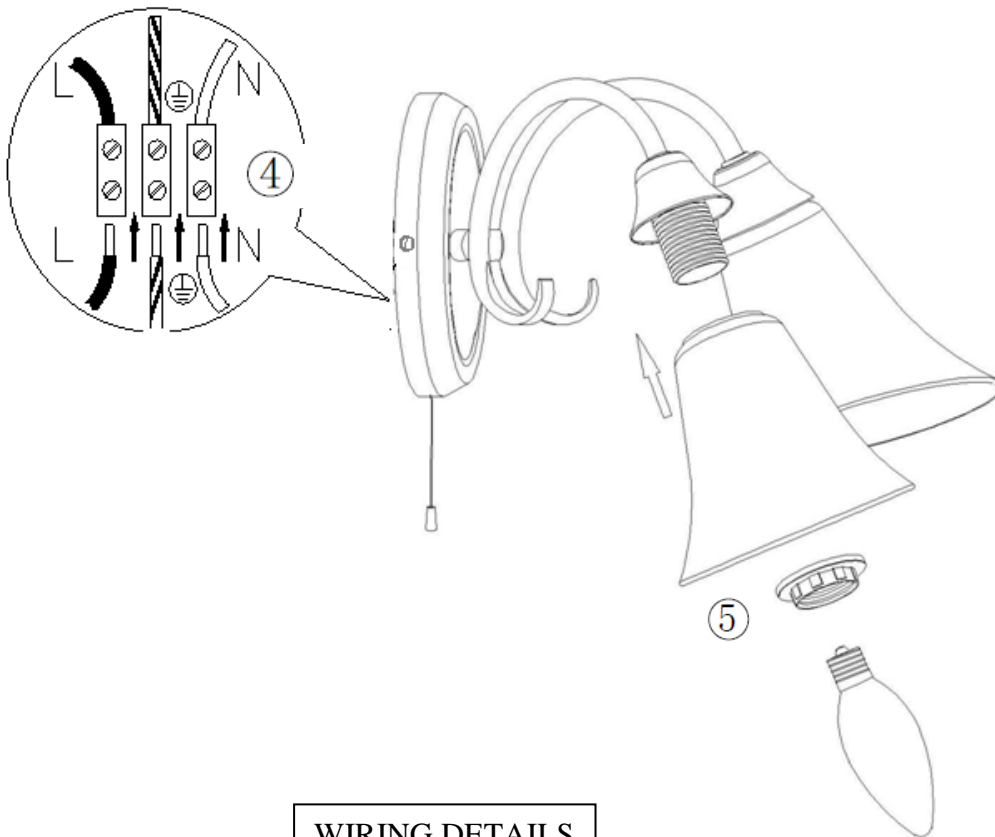
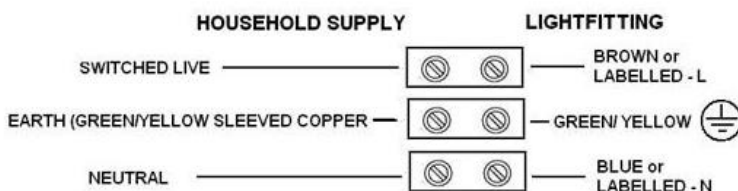


Diagram B



WIRING DETAILS



1. Decide on the position of your light fitting. Ensure there is a solid mounting surface, preferably a brick or block wall and ensure that there are no cables or pipes beneath the surface. If the wall is timber frame and plasterboard then please use appropriate fixings. Wall plugs are shown here – **Diagram A**. Ensure the fixings used can support the weight of the wall light.
2. **Diagram A**. Remove the fixing bracket, by undoing the 2 back plate / bracket screws (1), retain these for re-use.
3. Use the fixing bracket, as a template to mark the screw holes. Make sure the bracket is horizontal. Fix the bracket to the wall – the use of plugs (2) and screws (3) are shown here.
4. **Diagram B**. Support your fitting and connect the house wiring to the terminal block (4). **NOTE: This is a Class I fitting and must be earthed.** See wiring details.
5. Re-position the fitting over the wall bracket and secure with the 2 back plate / bracket screws, removed in 2 above. Make sure that all the internal cables and connections are inside the back plate taking care not to trap or strain the internal cables.
6. Position the shades over the lamp holders and secure with the shade rings (5), being careful not to over tighten and damage the shades.
7. Fit the bulb(s) **NOTE; Never fit bulbs of a higher wattage than those specified on the label (as these may cause overheating and damage the fitting).**
8. Turn on the power and test using the pull switch.