



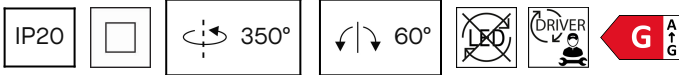
COCKTAIL

Francesc Vilaró

Table lamp COCKTAIL LED 3.5 LED warm-white 2700K TOUCH DIMMING Black 154lm

Technical features

- Luminaire total power: 3.5W
- Real lumens: 154
- Real lm/W: 44
- Correlated Colour Temperature (CCT): LED warm-white 2700K
- Lens / reflector angle: HORIZONTAL 150°
- Structure material: Aluminium
- Structure finish: Black
- Diffuser material: Polycarbonate
- Diffuser finish: Satin
- Voltage / frequency: 100-240V/50-60Hz
- Dimming protocol: TOUCH DIMMING
- Power Factor: 0.90
- Useful life: 50,000h L80B20
- Warranty: 5 años



Luminotechnic features

- CRI: 90
- MacAdam steps: 3
- Photobiological risk: RG0
- UGR crosswise: 23.9
- UGR lengthwise: 23.9

Lampholder	Quantity	Light source power (W)
LED	1	3W

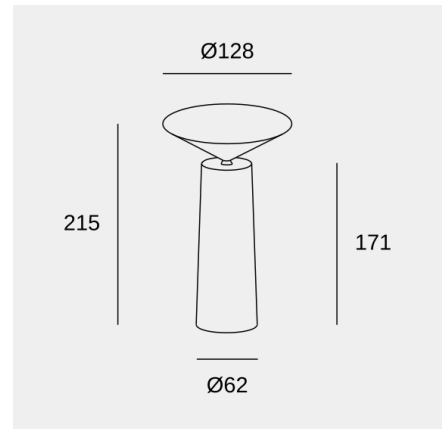


Image may not match reference. LedsC4 reserves the right to amend any of the product's components. The data related to flux, power and colour temperature may be subject to changes made by the manufacturer.



COCKTAIL

Francesc Vilaró

Table lamp COCKTAIL LED 3.5 LED warm-white 2700K TOUCH DIMMING Black 154lm

Emergency module features

Battery type: Lithium ion

Logistics



x 6

Net weight (kg): 0.75

Packaged weight (kg): 1.38

Packaging: 160mm x 160mm x 280mm

Light application



Image may not match reference. LedsC4 reserves the right to amend any of the product's components. The data related to flux, power and colour temperature may be subject to changes made by the manufacturer.



COCKTAIL

Francesc Vilaró

Table lamp COCKTAIL LED 3.5 LED warm-white 2700K TOUCH DIMMING Black 154lm

Accessories included



Charger

Optional accessories



71-8332-05-00

Accessorie Cocktail Charger Black

Structure material: Polycarbonate + ABS

Dimensions: 66 x 110 x 22

Net weight (kg): 0.52

Image may not match reference. LedsC4 reserves the right to amend any of the product's components. The data related to flux, power and colour temperature may be subject to changes made by the manufacturer.