



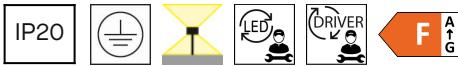
H

Benedito Design

Table lamp H LED 16.3 LED warm-white 2700K ON-OFF Black 570lm

Technical features

- Luminaire total power: 16.3W
- Real lumens: 570
- Real lm/W: 35
- Correlated Colour Temperature (CCT): LED warm-white 2700K
- Lens / reflector angle: FLOOD 73°
- Structure material: Steel
- Structure finish: Black
- Diffuser material: Acrylic
- Diffuser finish: Sandblasted
- Driver Brand: TRIDONIC
- Voltage / frequency: 220-240V/50-60Hz
- Dimming protocol: ON-OFF
- Power Factor: 0.90
- Useful life: 50,000h L80B20
- Warranty: 5 años



Luminotechnic features

- CRI: 90
- MacAdam steps: 3
- Photobiological risk: RG2
- UGR crosswise: 22.4
- UGR lengthwise: 22.4

Lampholder	Quantity	Light source power (W)
LED	1	14.9W

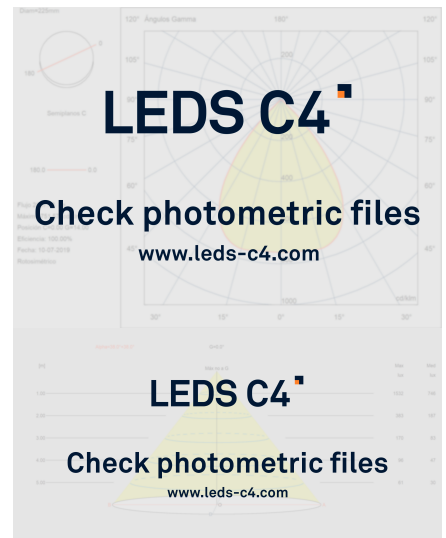
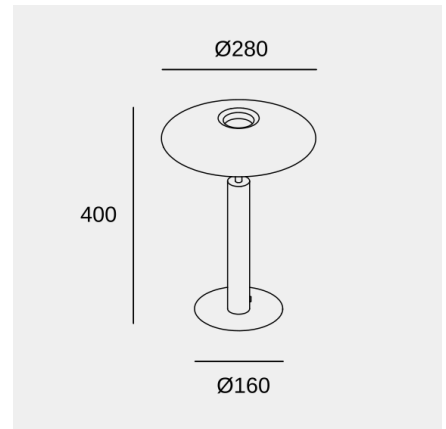


Image may not match reference. LedsC4 reserves the right to amend any of the product's components. The data related to flux, power and colour temperature may be subject to changes made by the manufacturer.



H

Benedito Design

Table lamp H LED 16.3 LED warm-white 2700K ON-OFF Black 570lm

Emergency module features

Emergency lumens: 1521

Logistics



x 2

Net weight (kg): 1.99

Packaged weight (kg): 3.9

Packaging: 485mm x 335mm x 335mm

Light application



Image may not match reference. LedsC4 reserves the right to amend any of the product's components. The data related to flux, power and colour temperature may be subject to changes made by the manufacturer.