



Ilargi Ø320

Iratzoki-Lizaso

Table lamp Ilargi Ø320 LED 16.4 LED warm-white 2700K TOUCH DIMMING Madera Oscura 1177lm

Technical features

- Luminaire total power: 16.4W
- Real lumens: 1177
- Real lm/W: 72
- Correlated Colour Temperature (CCT): LED warm-white 2700K
- UGR: <=16
- Structure material: Wood
- Structure finish: Madera Oscura
- Diffuser material: Glass
- Diffuser finish: Opal
- Driver Brand: MEANWELL
- Voltage / frequency: 100-240V/50-60Hz
- Dimming protocol: TOUCH DIMMING
- Power Factor: 0.40
- Useful life: 50,000h L80B20
- Warranty: 5 años
- Easily recyclable luminaire



Luminotechnic features

- CRI: 80
- MacAdam steps: 3
- Photobiological risk: RG2
- UGR crosswise: 15.9
- UGR lengthwise: 15.9

Lampholder	Quantity	Light source power (W)
LED	1	14.8W

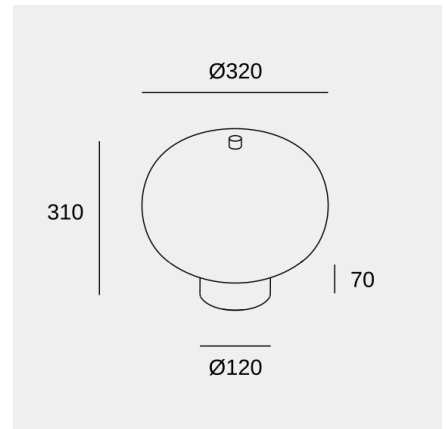


Image may not match reference. LedsC4 reserves the right to amend any of the product's components. The data related to flux, power and colour temperature may be subject to changes made by the manufacturer.

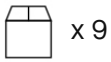


Ilargi Ø320

Iratzoki-Lizaso

Table lamp Ilargi Ø320 LED 16.4 LED warm-white 2700K TOUCH DIMMING Madera Oscura 1177lm

Logistics



x 9

Packaging: 165mm x 165mm x 340mm

Image may not match reference. LedsC4 reserves the right to amend any of the product's components. The data related to flux, power and colour temperature may be subject to changes made by the manufacturer.