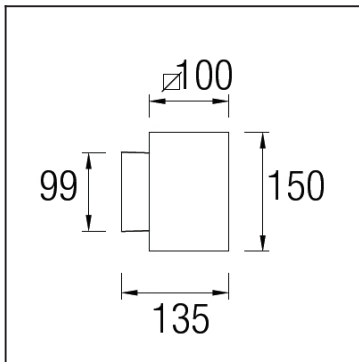
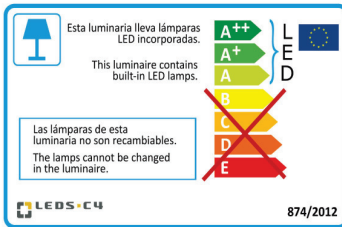




The photograph may not match the reference exactly. Please read the product description to identify the finish.



[Download photometric file .ldt /.ies](#)



[Click on image to download energy label](#)

TECHNICAL CHARACTERISTICS

Type:	Wall fixture
IP Protection degrees:	IP65
IK Protection degrees:	IK04
Light source 1:	8 x LED Cree 17,4W Warm White - 3000K 1296 lm ^(N) CRI 80
Total power consumption (W):	21.4W
Angle of the optics / Reflector:	20°
Voltage / Frequency:	220-240V/50-60Hz
Warranty (Years):	2
Option to extend the guarantee (Years):	5
Units per box:	4
Net Weight (Kg):	1.57
EAN:	8435381412845



MATERIALS / FINISHES

Structure material:	Painted aluminium	Diffuser material:	Glass
Structure finish:	Grey	Diffuser finish:	Tempered

GEAR

Gear included: Yes, electronic

Lm^(N): Nominal flow of light in actual working conditions. Its actual flow will depend on the environmental conditions and the efficiency of the optics and/or diffuser.

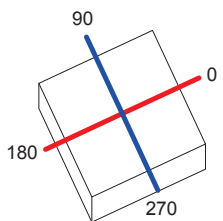
Leds-c4 reserves the right to make the necessary technical changes they deem adequate, in order to improve the features of the product.

Please consult the sales team to clarify any doubt.

Luminaire		Measur.		Lamp		
Code	05-9773	Code	05-9773	Code	11	
Name	WALL FIXUTRES	Name	WALL FIXUTRES	Number	8	
Line	AFRODITA	Date	29-04-1994	Position		
Efficiency	84.44%	Coordinate system	CG	Total Flux	1360.00 lm	
Maximum value	1956.98 cd	Position	C=0.00 G=2.00	Asymmetrical		
Rectangular Luminaire	Length	1 mm	Width	1 mm	Height	1 mm
Rectangular Luminous Area	Length	1 mm	Width	1 mm	Height	0 mm
Horizontal Luminous Area	0.000001 m2	Emitting area on Plane 180°		0.000000 m2		
Emitting area on Plane 0°	0.000000 m2	Emitting area on Plane 270°		0.000000 m2		
Emitting area on Plane 90°	0.000000 m2	Glare area at 76°		0.000000 m2		
Symmetry Type	Asymmetrical	Maximum Gamma Angle		180		
Measurement Distance	0.00	Measurement Flux		1360.00 lm		
Operator		Source voltage				
Temperature	25.00 °C	Source current				
Humidity	60.00 %	Photocell				
Notes						

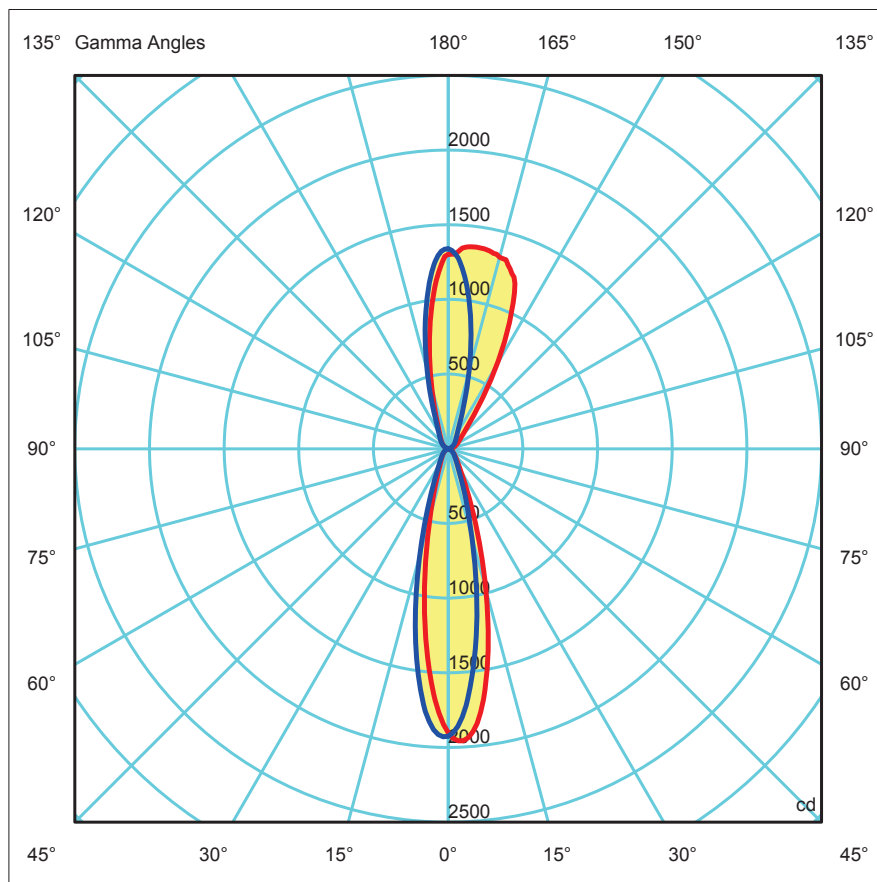
Luminaire Lamps						
Line	Code	Name	Flux [lm]	Pow. [W]	Q.ty	
IESNA-1995	11	11 - 2.67 W	170.00	2.67	8	
C.I.E.	85 96 100 51 84	D DIN 5040				C61
F UTE	0.43 A + 0.41 T	B NBN				BZ 1

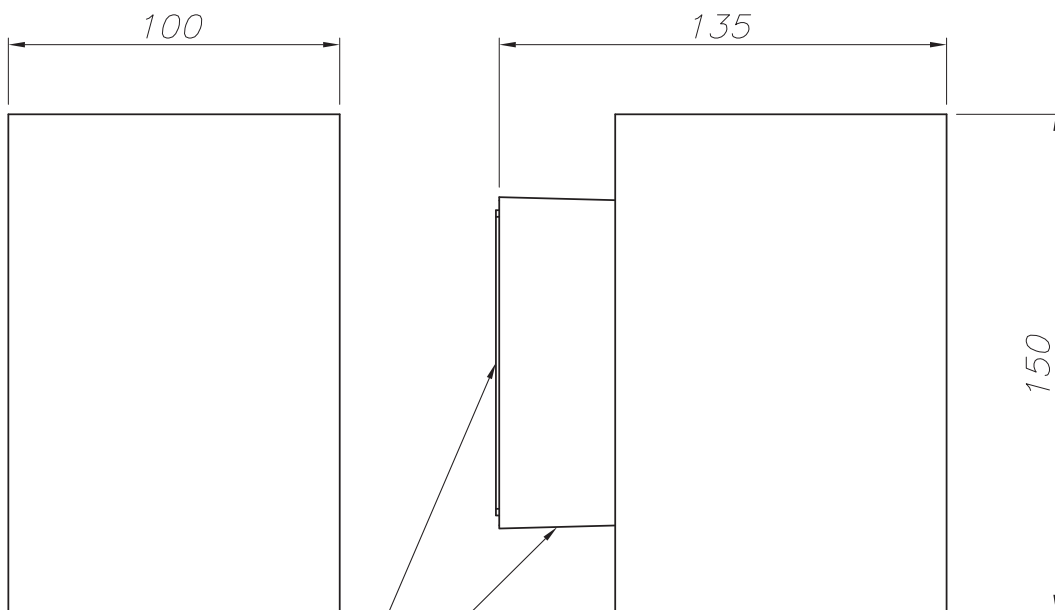
1mm x 1mm



C Halfplanes
 180.0 — 0.0
 270.0 — 90.0

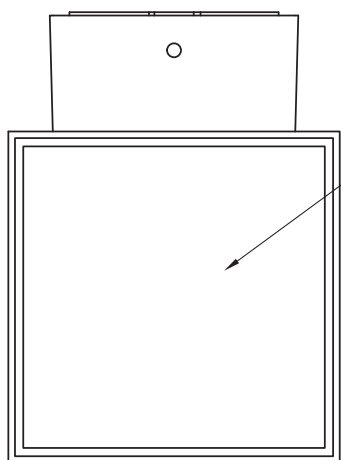
ULOR 41.32 %
 DLOR 43.11 %
 RN 48.94 %



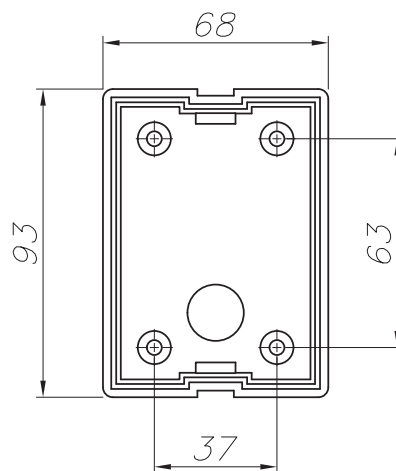


ALUMINIO INYECTADO
INJECTED ALUMINIUM

ALUMINIO EXTRUDIDO
EXTRUDED ALUMINIUM



CRISTAL TRANSPARENTE
TRANSPARENT GLASS



PLANTILLA DE INSTALACION
INSTALLATION TEMPLATE

