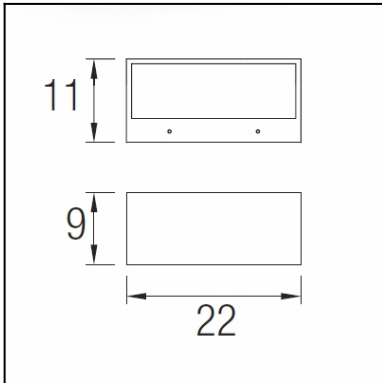
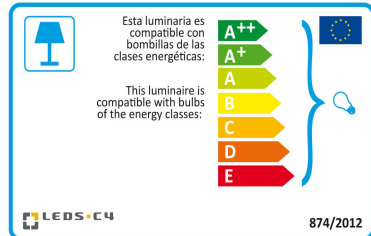




The photograph may not match the reference exactly. Please read the product description to identify the finish.



[Download photometric file .ldt / .ies](#)



[Click on image to download energy label](#)

### TECHNICAL CHARACTERISTICS

Type:	Wall fixture
IP Protection degrees:	IP54
IK Protection degrees:	IK04
Light source 1:	1 x E27 max. 60W Maximum lamp length: 155.00 mm
Total power consumption (W):	60
Voltage / Frequency:	220-240V/50-60Hz
Warranty (Years):	2
Units per box:	6
Net Weight (Kg):	1.145
EAN:	8435381400484



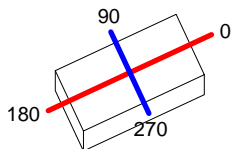
### MATERIALS / FINISHES

<b>Structure material:</b>	Injected aluminium	<b>Diffuser material:</b>	Glass
<b>Structure finish:</b>	Brown	<b>Diffuser finish:</b>	Matt

<b>Luminaire</b>		<b>Measur.</b>		<b>Lamp</b>		
Code	05-9649	Code	05-9649	Code	PL-C13W/840/2P	
Name	Aplique dir/ind 22W TC-D	Name	Aplique dir/ind 22W TC-D	Number	1	
Line	Eulumdat	Date	27-01-2014	Position		
Efficiency	40.02%	Coordinate system	CG	Total Flux	1440.00 lm	
Maximum value	133.53 cd	Position	C=0.00 G=165.00	Asymmetrical		
Rectangular Luminaire	Length	110 mm	Width	220 mm	Height	90 mm
Rectangular Luminous Area	Length	90 mm	Width	155 mm	Height	1 mm
Horizontal Luminous Area	0.013950 m2	Emitting area on Plane 180°		0.000090 m2		
Emitting area on Plane 0°	0.000090 m2	Emitting area on Plane 270°		0.000155 m2		
Emitting area on Plane 90°	0.000155 m2	Glare area at 76°		0.003462 m2		
Symmetry Type	Asymmetrical	Maximum Gamma Angle		180		
Measurement Distance	0.00	Measurement Flux		1440.00 lm		
Operator	Asselum	Source voltage				
Temperature	25.00 °C	Source current				
Humidity	60.00 %	Photocell				
Notes						

Luminaire Lamps					
Line	Code	Name	Flux [lm]	Pow. [W]	Q.ty
Eulumdat	PL-C13W/840/2P	PL-C13W/840/2P - 22.00 W	1440.00	22.00	1
C.I.E.	55 84 97 49 40	D DIN 5040	C42		
F UTE	0.20 D + 0.20 T	B NBN	BZ 3 / 0.6 / BZ 4		

110mm x 220mm



**C Halfplanes**

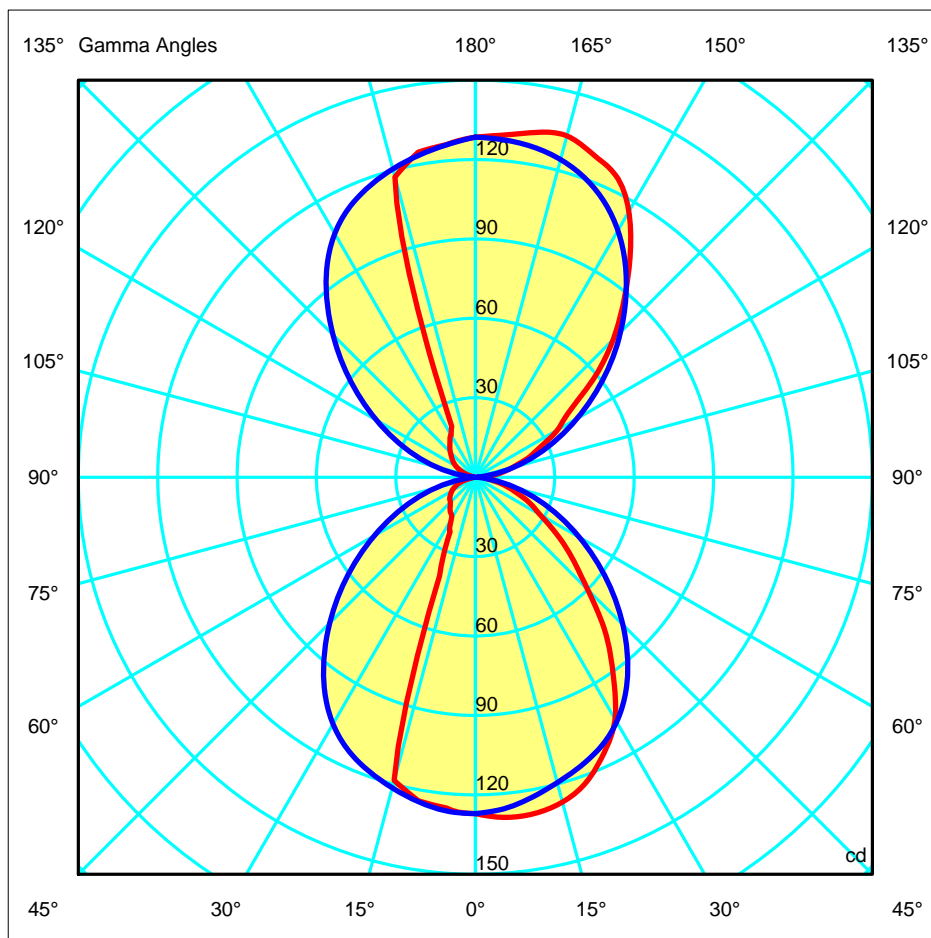
180.0 — 0.0 (Red line)

270.0 — 90.0 (Blue line)

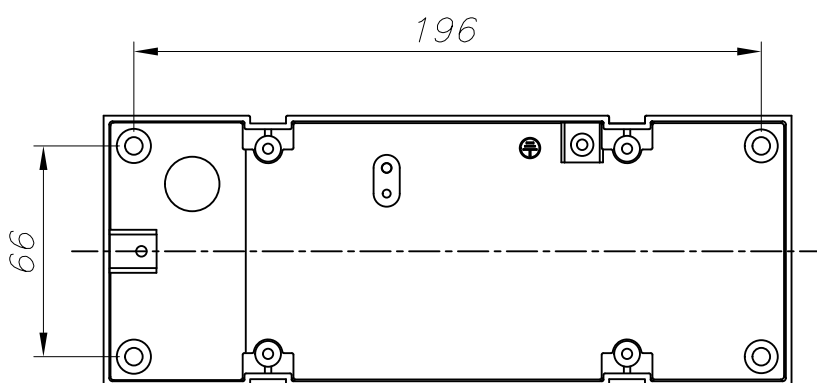
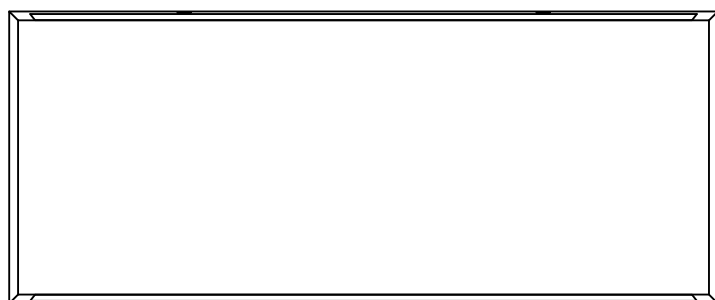
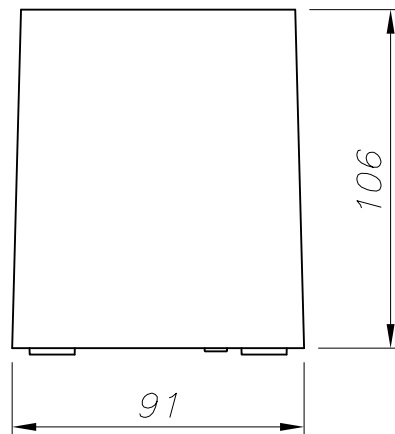
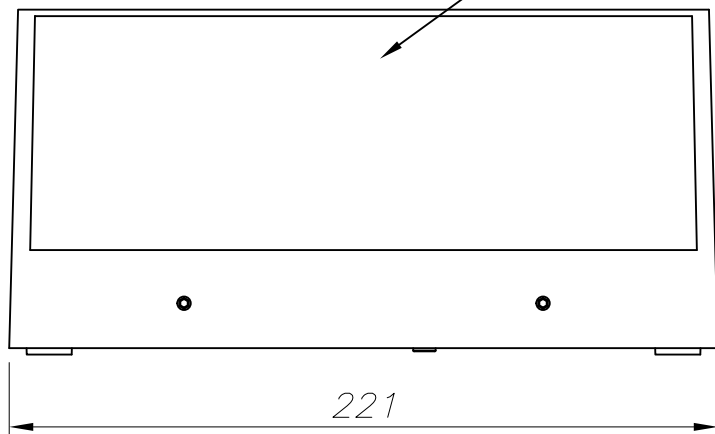
ULOR 20.23 %

DLOR 19.79 %

RN 50.56 %



CRISTAL ARENADO INTERIOR  
SANDFROSTED GLASS INSIDE



PLANTILLA DE INSTALACIÓN  
INSTALLATION TEMPLATE

