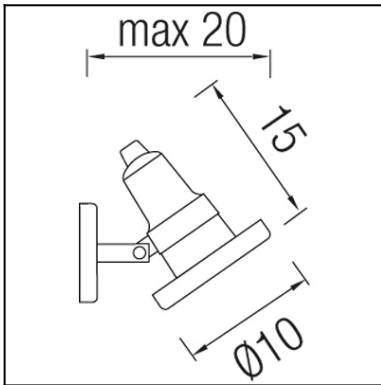




The photograph may not match the reference exactly. Please read the product description to identify the finish.



TECHNICAL CHARACTERISTICS

Type:	Spotlight
Adjustable:	Adjustable 360° on the vertical axis. Adjustable ±45° on the horizontal axis.
IP Protection degrees:	IP67
IK Protection degrees:	IK10
Light source 1:	1 x GU10 Max. 50W Maximum lamp length: 80.00 mm
Bulb included:	1 x GU10 50W
Total power consumption (W):	50
Voltage / Frequency:	230V/50-60Hz
Warranty (Years):	2
Units per box:	8
Net Weight (Kg):	0.475
EAN:	8435381408848



MATERIALS / FINISHES

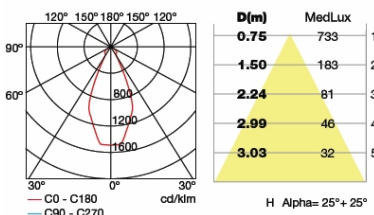
Structure material: Stainless steel AISI316

Diffuser material: Glass

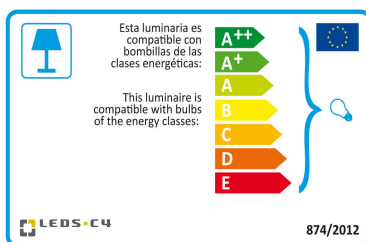
Structure finish: Polished

Diffuser finish: Tempered

GU-10 50W



Download photometric file .ldt / .ies

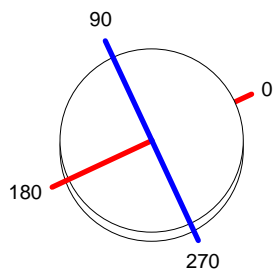


Click on image to download energy label

Luminaire		Measur.		Lamp	
Code	05-9310-CA-37	Code	05-9310-CA-37	Code	64826FL
Name	Aplique AQUA 1x50W GU10	Name	Aplique AQUA 1x50W GU10	Number	1
Line	Eulumdat	Date	24-03-2010	Position	
Efficiency	90.07%	Coordinate system	CG	Total Flux	370.00 lm
Maximum value	641.73 cd	Position	C=0.00 G=0.00	Double Symmetrical	
Round Luminaire	Diam.	96 mm	Height	135 mm	
Round Luminous Area	Diam.	65 mm	Height	1 mm	
Horizontal Luminous Area	0.003318 m2	Emitting area on Plane 180°		0.000065 m2	
Emitting area on Plane 0°	0.000065 m2	Emitting area on Plane 270°		0.000065 m2	
Emitting area on Plane 90°	0.000065 m2	Glare area at 76°		0.000866 m2	
Symmetry Type	Double Symmetrical	Maximum Gamma Angle		180	
Measurement Distance	0.00	Measurement Flux		370.00 lm	
Operator	Asselum	Source voltage			
Temperature	25.00 °C	Source current			
Humidity	60.00 %	Photocell			
Notes					

Luminaire Lamps						
Line	Code	Name	Flux [lm]	Pow. [W]	Q.ty	
Eulumdat	64826FL	64826FL - 50.00 W	370.00	50.00	1	
C.I.E.	90 98 100 100 90	D DIN 5040				
F UTE	0.90 A	B NBN				
		A60				
		BZ 1				

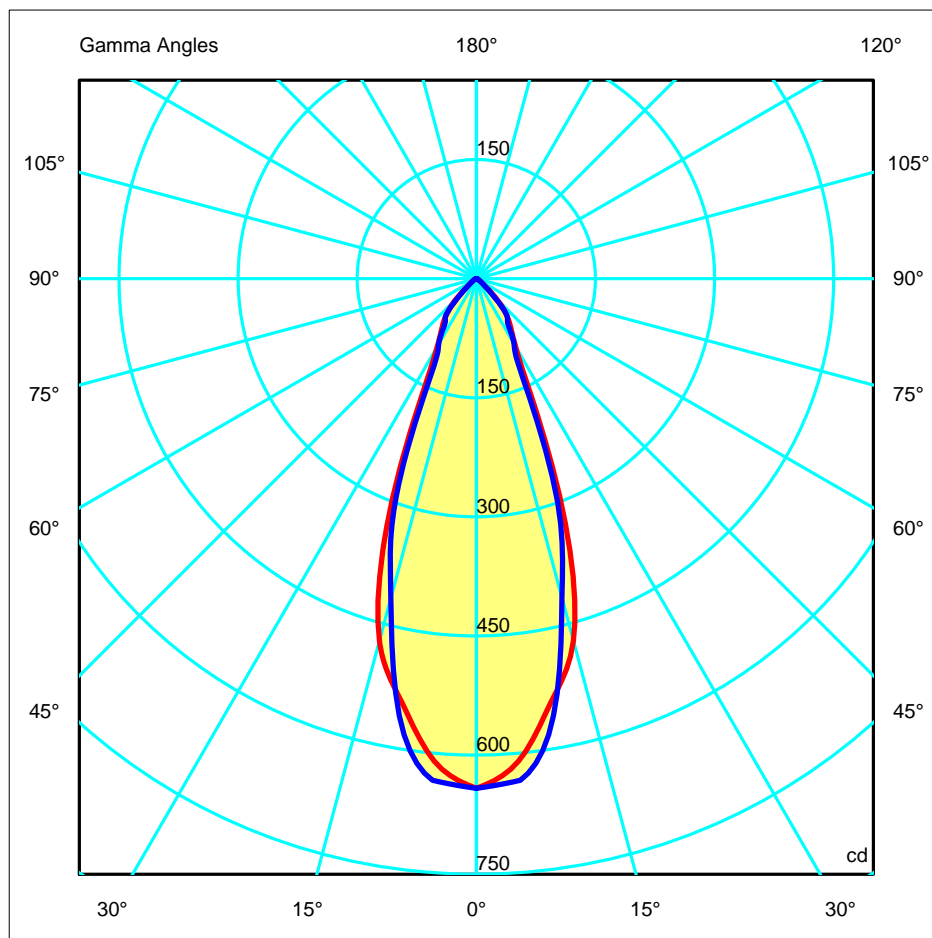
Diam=96mm



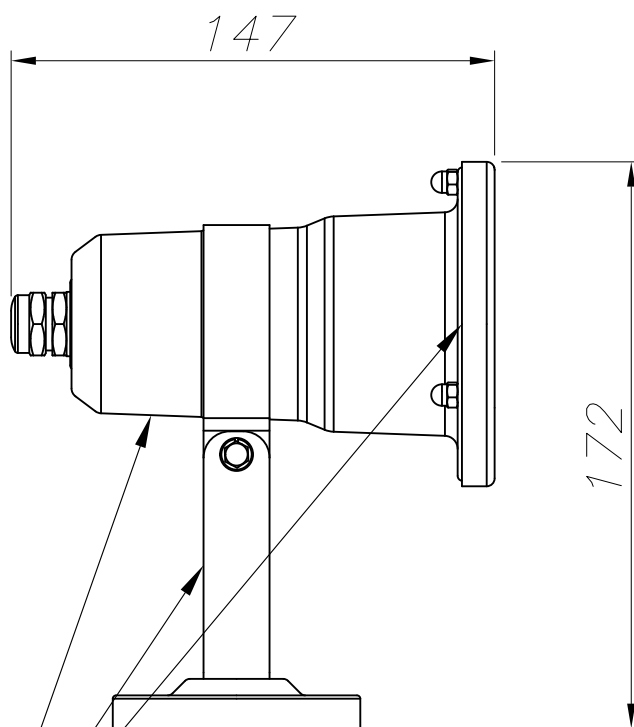
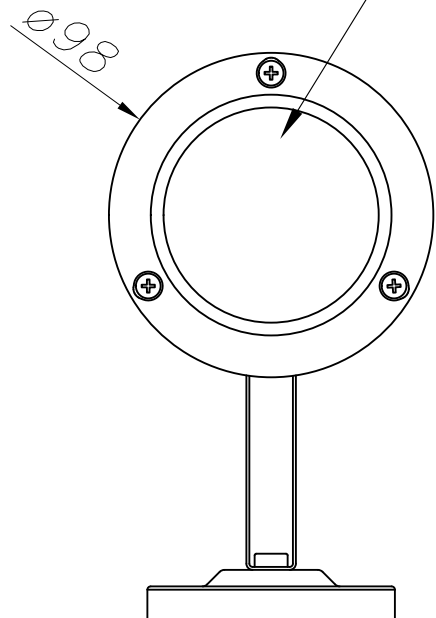
C Halfplanes



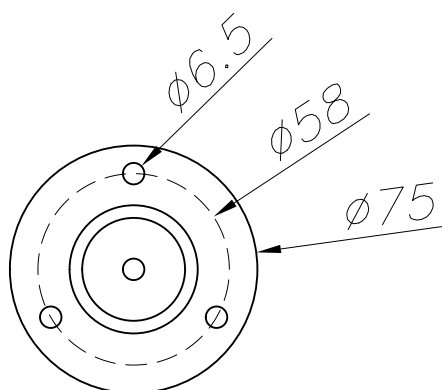
ULOR 0.01 %
DLOR 90.07 %
RN 0.01 %



CRISTAL TEMPLADO TRANSPARENTE
TEMPERED TRANSPARENT GLASS



ACERO INOXIDABLE AISI 316
STAINLESS STEEL AISI 316



PLANTILLA DE INSTALACIÓN
INSTALLATION TEMPLATE

