

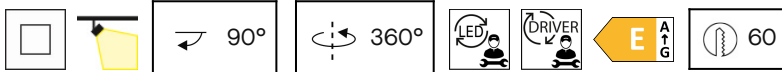


Chic

Reading lights Chic LED 3.9 LED warm-white 2700K TOUCH DIMMING Black 200lm

Technical features

- Luminaire total power: 3.9W
- Real lumens: 200
- Real lm/W: 51
- Correlated Colour Temperature (CCT): LED warm-white 2700K
- Lens / reflector angle: MEDIUM 26°
- UGR: <=16
- Structure material: Aluminium
- Structure finish: Black
- Driver Brand: HEP
- Voltage / frequency: 100-240V/50-60Hz
- Dimming protocol: TOUCH DIMMING
- Power Factor: 0.86
- Useful life: 50,000h L80B20
- Warranty: 5 años
- Easily recyclable luminaire



Luminotechnic features

- TM30 RG: 99
- TM30 RF: 92
- Melanopic ratio: 0.451
- CRI: 90
- MacAdam steps: 2
- Photobiological risk: RG1
- UGR crosswise: 8.4
- UGR lengthwise: 8.4

Lampholder	Quantity	Light source power (W)	Correlated Colour Temperature (CCT)
LED	1	3W	LED warm-white 2700K

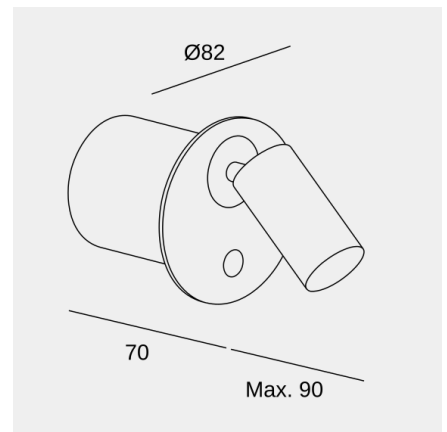
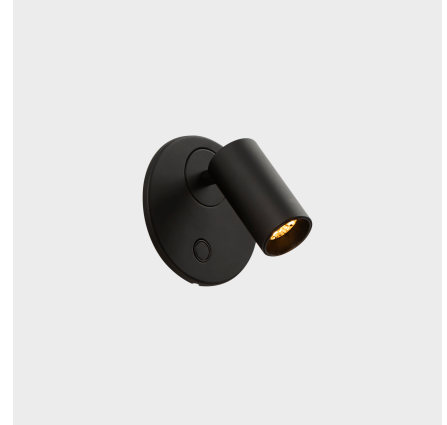


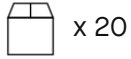
Image may not match reference. LedsC4 reserves the right to amend any of the product's components. The data related to flux, power and colour temperature may be subject to changes made by the manufacturer.



Chic

Reading lights Chic LED 3.9 LED warm-white 2700K TOUCH DIMMING Black 200lm

Logistics



x 20

Net weight (kg): 0.28

Packaged weight (kg): 0.42

Packaging: 120mm x 120mm x 160mm

Image may not match reference. LedsC4 reserves the right to amend any of the product's components. The data related to flux, power and colour temperature may be subject to changes made by the manufacturer.