



Bed

Reading lights Bed LED 3.5 LED warm-white 3000K ON-OFF Satin nickel 115lm

Technical features

- Luminaire total power: 3.5W
- Real lumens: 115
- Real lm/W: 33
- Correlated Colour Temperature (CCT): LED warm-white 3000K
- Lens / reflector angle: MEDIUM 21°
- UGR: <=22
- Structure material: Aluminium
- Structure finish: Satin nickel
- Driver Brand: HEP
- Voltage / frequency: 100-240V/50-60Hz
- Dimming protocol: ON-OFF
- Power Factor: 0.50
- Useful life: 50,000h L80B20
- Warranty: 5 años
- Easily recyclable luminaire



Luminotechnic features

- CRI: 90
- MacAdam steps: 3
- Photobiological risk: RG2
- UGR crosswise: 21.3
- UGR lengthwise: 21.3

Lampholder	Quantity	Light source power (W)
LED	1	2.1W

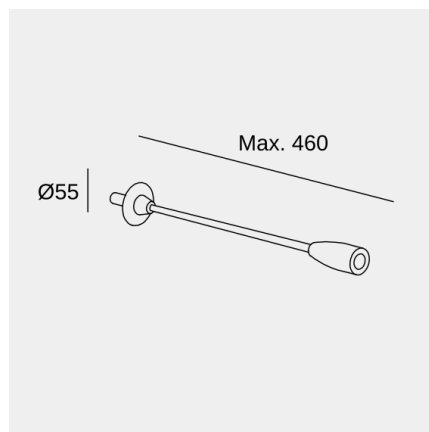
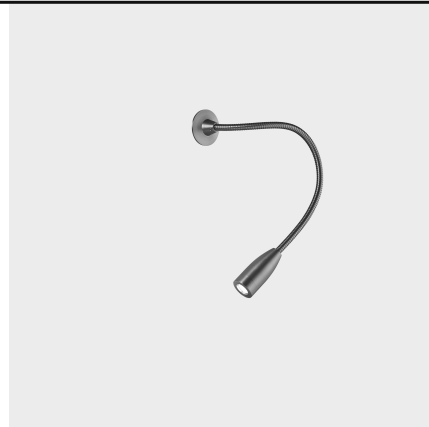


Image may not match reference. LedsC4 reserves the right to amend any of the product's components. The data related to flux, power and colour temperature may be subject to changes made by the manufacturer.



Bed

Reading lights Bed LED 3.5 LED warm-white 3000K ON-OFF Satin nickel 115lm

Logistics



x 20

Net weight (kg): 0.35

Packaged weight (kg): 0.49

Packaging: 65mm x 65mm x 495mm

Image may not match reference. LedsC4 reserves the right to amend any of the product's components. The data related to flux, power and colour temperature may be subject to changes made by the manufacturer.