



Tubs

Nahtrang Design

Wall fixture Tubs LED 14.1 LED warm-white 3000K DALI-2/PUSH Black 428lm

Technical features

- Luminaire total power: 14.1W
- Real lumens: 428
- Real lm/W: 30
- Correlated Colour Temperature (CCT): LED warm-white 3000K
- Lens / reflector angle: HORIZONTAL 125°
- Structure material: Steel, Aluminium
- Structure finish: Black
- Diffuser material: Polycarbonate
- Diffuser finish: Opal
- Driver Brand: HEP
- Voltage / frequency: 220-240V/50-60Hz
- Dimming protocol: DALI-2/PUSH
- Power Factor: 0.90
- THD%: 25
- Useful life: 50,000h L80B20
- Warranty: 5 años



Luminotechnic features

- CRI: 90
- MacAdam steps: 3
- Photobiological risk: RGO

Lampholder	Quantity	Light source power (W)	Correlated Colour Temperature (CCT)
LED	1	11.5W	LED warm-white 3000K

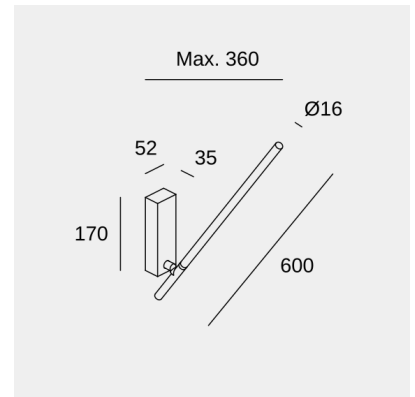
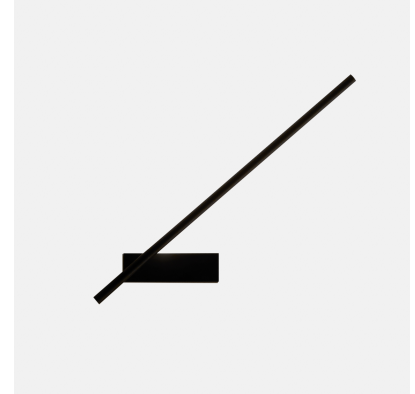


Image may not match reference. LedsC4 reserves the right to amend any of the product's components. The data related to flux, power and colour temperature may be subject to changes made by the manufacturer.



Tubs

Nahtrang Design

Wall fixture Tubs LED 14.1 LED warm-white 3000K DALI-2/PUSH Black 428lm

Logistics



x 16

Net weight (kg): 0.75

Packaged weight (kg): 1.59

Packaging: 135mm x 130mm x 710mm

Image may not match reference. LedsC4 reserves the right to amend any of the product's components. The data related to flux, power and colour temperature may be subject to changes made by the manufacturer.