



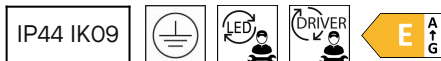
## Toi LED Medium

Manel Llusçà

Bath IP44 Toi LED Medium LED 15.3 LED warm-white 3000K ON-OFF Chrome 1513lm

### Technical features

- Luminaire total power: 15.3W
- Real lumens: 1513
- Real lm/W: 99
- Correlated Colour Temperature (CCT): LED warm-white 3000K
- Structure material: Aluminium
- Structure finish: Chrome
- Diffuser material: Polycarbonate
- Diffuser finish: Sandblasted
- Driver Brand: TRIDONIC
- Voltage / frequency: 220-240V/50-60Hz
- Dimming protocol: ON-OFF
- Power Factor: 0.90
- Useful life: 50,000h L80B20
- Warranty: 5 años



### Luminotechnic features

- CRI: 80
- MacAdam steps: 3
- Photobiological risk: RG1
- UGR crosswise: 25.2
- UGR lengthwise: 21.8

Lampholder	Quantity	Light source power (W)
LED	1	13.4W

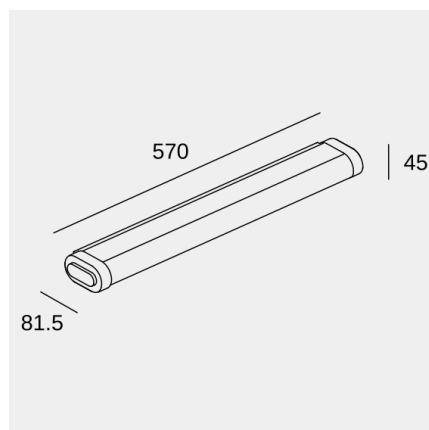


Image may not match reference. LedsC4 reserves the right to amend any of the product's components. The data related to flux, power and colour temperature may be subject to changes made by the manufacturer.



## Toi LED Medium

Manel Llusçà

Bath IP44 Toi LED Medium LED 15.3 LED warm-white 3000K ON-OFF Chrome 1513lm

### Logistics



x 8

Net weight (kg): 0.89

Packaged weight (kg): 1.25

Packaging: 140mm x 100mm x 635mm

Image may not match reference. LedsC4 reserves the right to amend any of the product's components. The data related to flux, power and colour temperature may be subject to changes made by the manufacturer.