

GES Wall fixture

Designer: -

Description

Wall light for indoor use.

For uplighting and downlighting. No visible screws. Optimum price-performance. Optimum visual comfort. Indirect light effect. High durability for intensive use. Structure material: Steel, Plaster. Structure finish: White. Diffuser material: Acrylic. Diffuser finish: Sandblasted. Warranty: 5 Years.

Finish
White
Sandblasted

Material
Steel
Plaster
Acrylic



TECHNICAL CHARACTERISTICS

Light source

Light source: LED HONGLITRONIC
Output (W): 3W
Total power consumption (W): 4
Color temperature: Warm White - 3000K
CRI: 80
Real Lumen: 386
Qty Leds: 30
Lm/Real W: 97
Life Time: 50.000h L80B20
Bin / Grup: W4AB o W5AB
MacAdam steps: 3
UGR: 19.8
Photobiological risk: RGO

GEAR

Brand: HEP
Gear included: Yes, electronic
Voltage / Frequency:
100-240VAC/50-60Hz
Power Factor: 0.50
Flickering: 4%

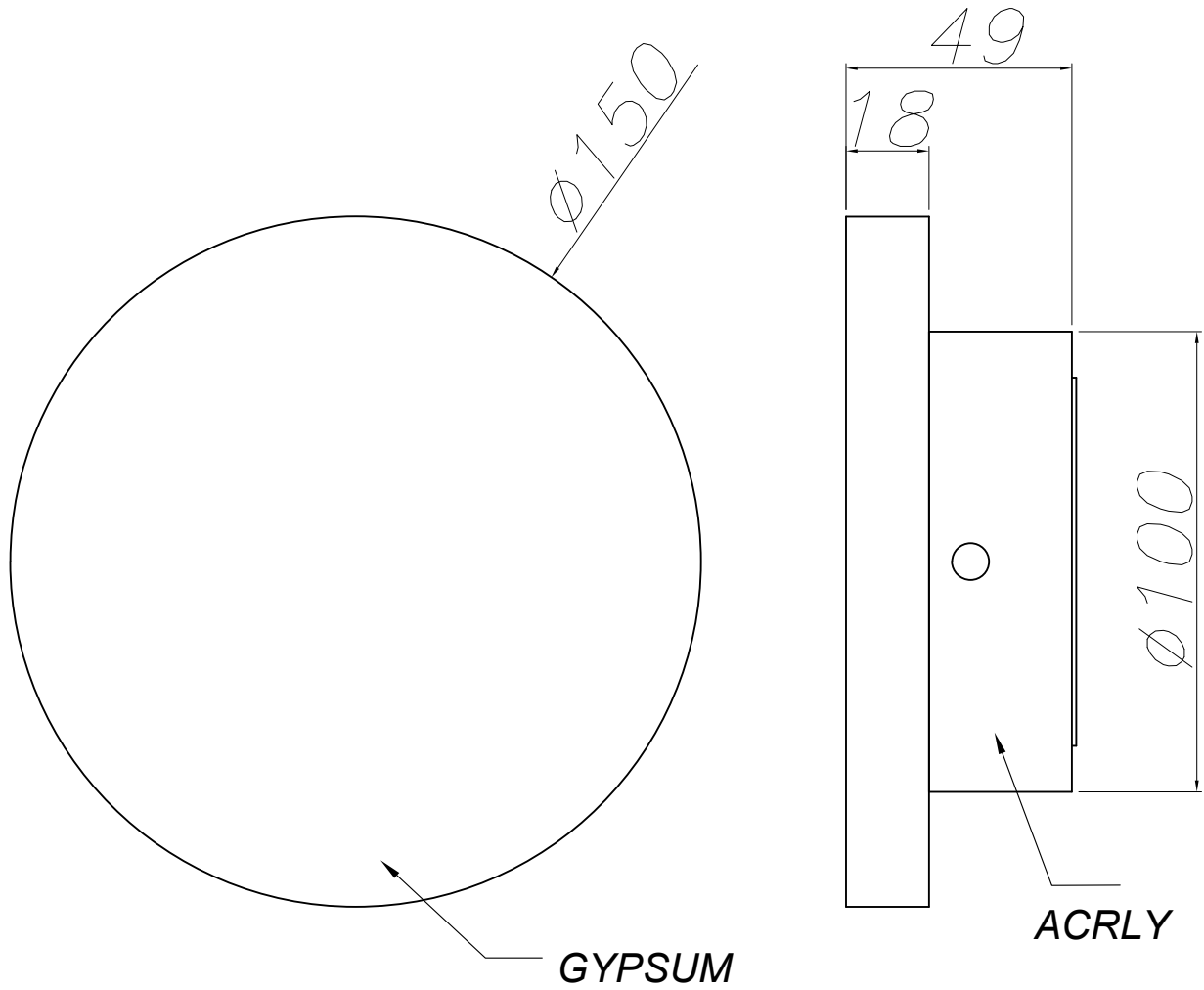
Luminaire

Recessed: No
Warranty: 5 Years

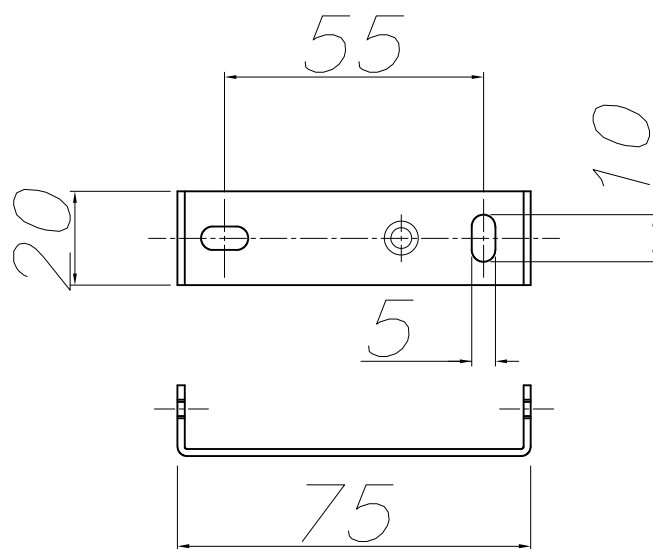
Logistics

Energy Efficiency: LED A++
EAN Code: 8435526868803
Net Weight (Kg): 0.000

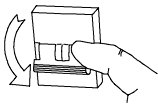
The photograph may not match the reference exactly. Please read the product description to identify the finish.



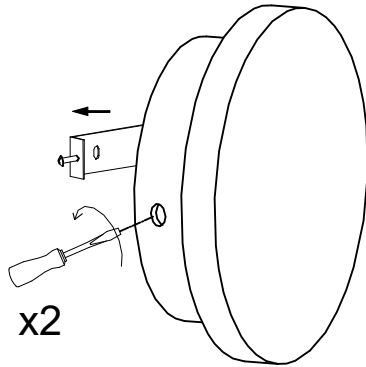
INSTALLATION TEMPLATE



1



OFF

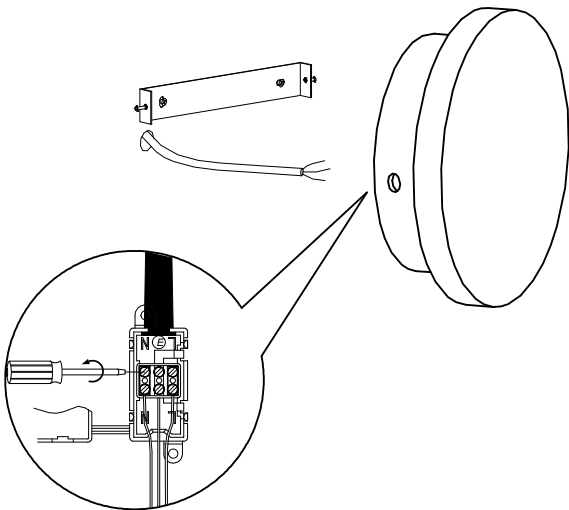


x2

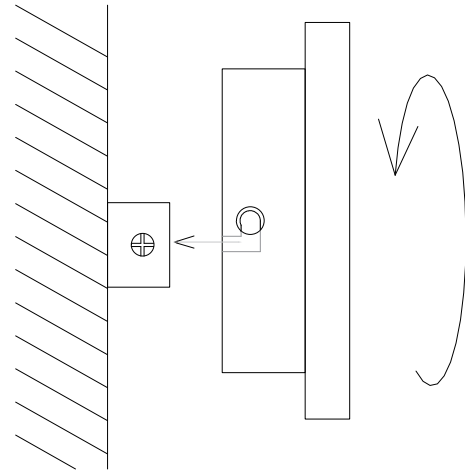
2



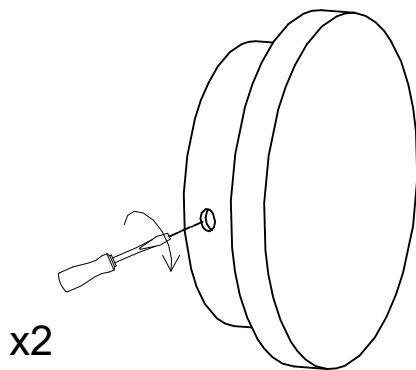
3



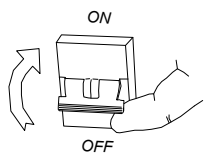
4



5



x2



OFF

6

