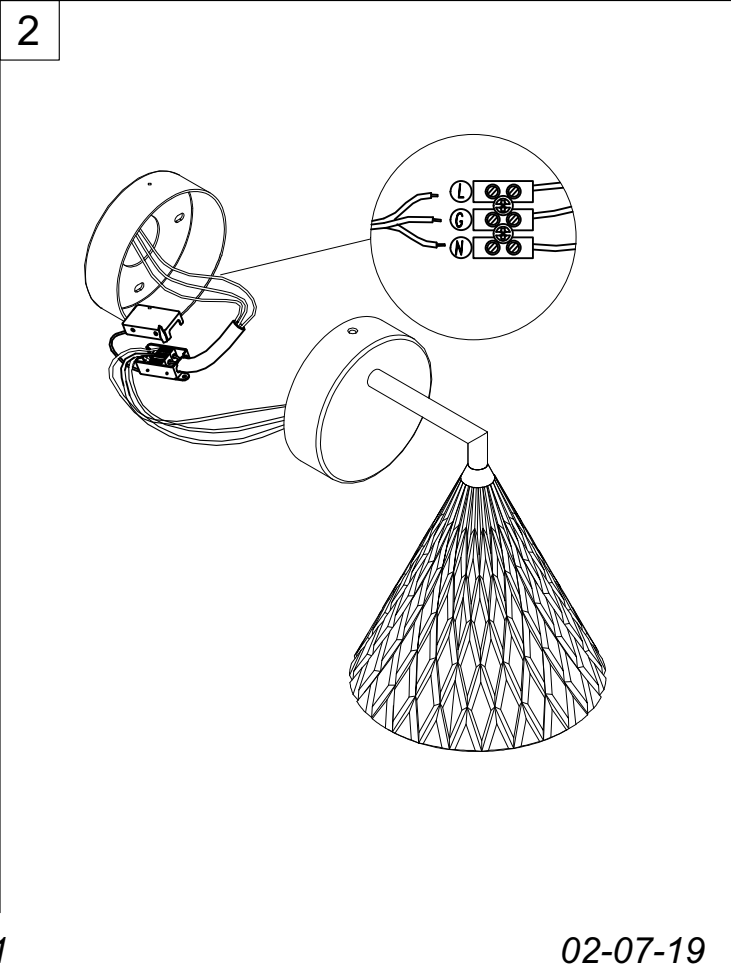
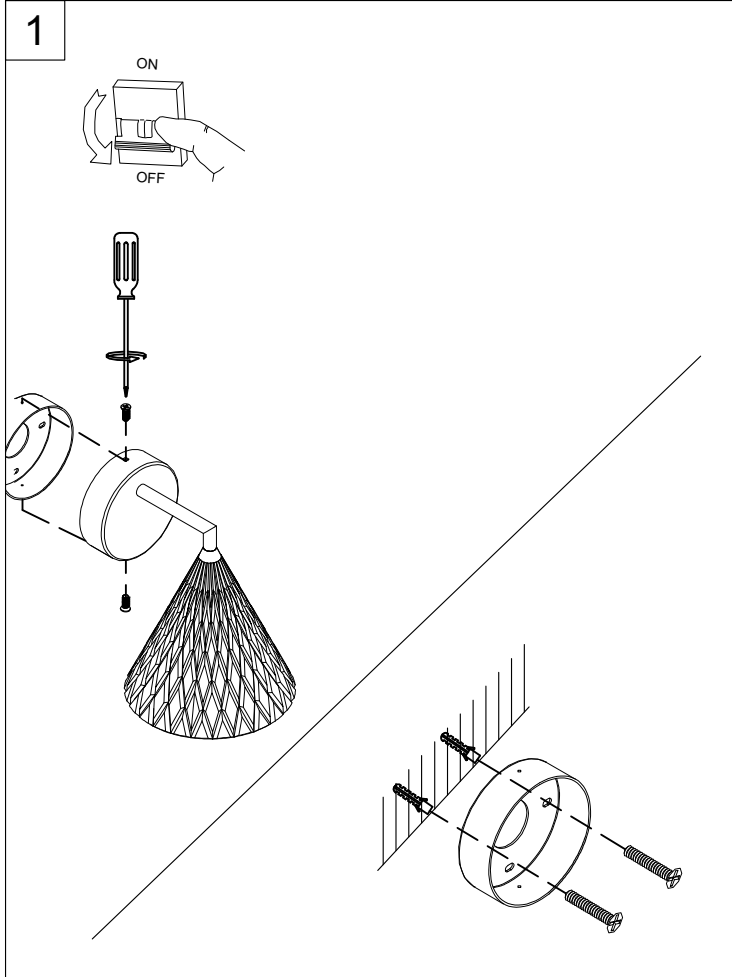
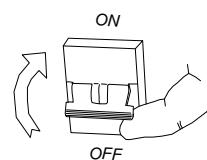
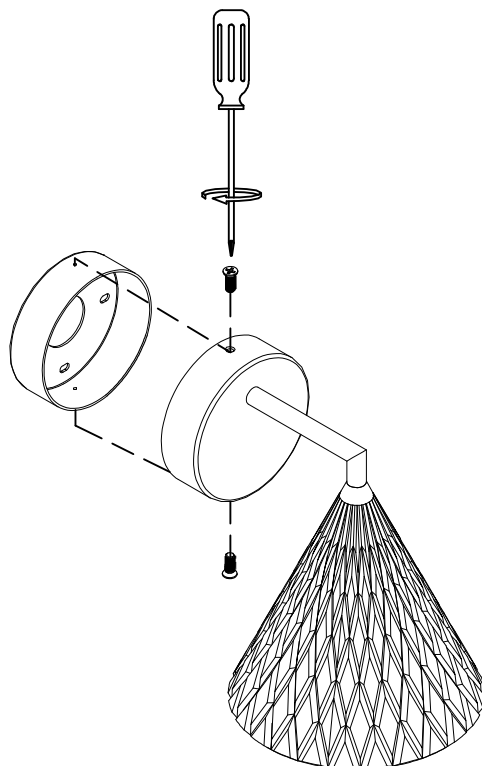


\* The number of modules that can be connected in series depends on the available output voltage of the LED driver.



3



4

