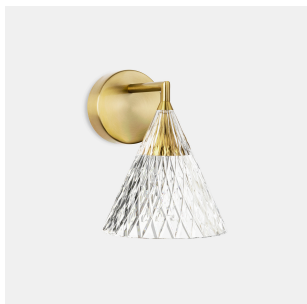


Veneto Wall Fixture Wall fixture

Designer: Benedito Design



Description

Wall light for indoor use.

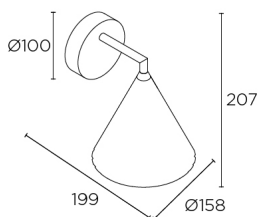
For downlighting. Structure material: Aluminium, Steel. Structure finish: Gold. Diffuser material: Methacrylate. Diffuser finish: Sandblasted. Warranty: 5 Years.

Finish

Gold
Sandblasted

Material

Aluminium
Steel
Methacrylate



TECHNICAL CHARACTERISTICS

Light source

Light source: LED CREE
Output (W): 6.7W
Total power consumption (W): 8.3
Color temperature: LED warm-white 2700K
CRI: 80
Photobiological risk: RG1
Real Lumen: 452
Qty Leds: 1
Lm/Real W: 54
Life Time: 50.000h L80B20
Bin / Grup: 27H
MacAdam steps: 2
UGR: 25.2

GEAR

Brand: HEP
Gear included: Yes, electronic
Voltage / Frequency: 90-264/50-60Hz
Power Factor: 0.90

Luminaire

Recessed in-ground suitable for pedestrian crossing: No
Warranty: 5 Years

Logistics

Energy Efficiency: LED A++
EAN Code: 8435575314801
Net Weight (Kg): 0.700
Weight in Kg (packaged): 1.160
Packing: 270 x 260 x 220
Masterbox: 4

The photograph may not match the reference exactly. Please read the product description to identify the finish.

LEDS C4[®]

Luminaire

Code 05-7588-DO-DO
Name VENETO

Measurement

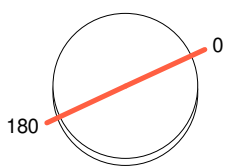
Code 05-7588-DO-DO
Name VENETO

Luminaire Flux	452.23 lm	Luminaire Power	8.30 W	Efficacy	54.49 lm/W	Efficiency	100.00%
Sources Flux	452.23 lm	Maximum value	1204.80 cd/klm	Position	C=0.00 G=0.00	CG	Rotosymmetrical
Round Luminaire		Diam.	62 mm	Height	75 mm		
Round Luminous Area		Diam.	44 mm	Height	0 mm		
Horizontal Luminous Area		0.001521 m ²		Emitting area on Plane 180°		0.000000 m ²	
Emitting area on Plane 0°		0.000000 m ²		Emitting area on Plane 270°		0.000000 m ²	
Emitting area on Plane 90°		0.000000 m ²		Glare area at 76°		0.000368 m ²	
Coordinate system		CG		Symmetry Type		Rotosymmetrical	
Date		06-11-2018		Maximum Gamma Angle		90	
Measurement Distance		0.00		Measurement Flux		452.23 lm	
Operator		qualitat		Rated Voltage			
Temperature		25.00 °C		Rated Current			
Humidity		60.00 %		Photocell			
Notes							

Luminaire Lamps

Line	Code	Name	Flux [lm]	Pow. [W]	Q.ty
	00-7588-14-DO	00-7588-14-DO	452.23	8.30	1
C.I.E.	70 91 98 100 100	D DIN 5040	A50		
F UTE	1.00 C	B NBN	BZ 1 / 0.8 / BZ 2		

Diam=62mm



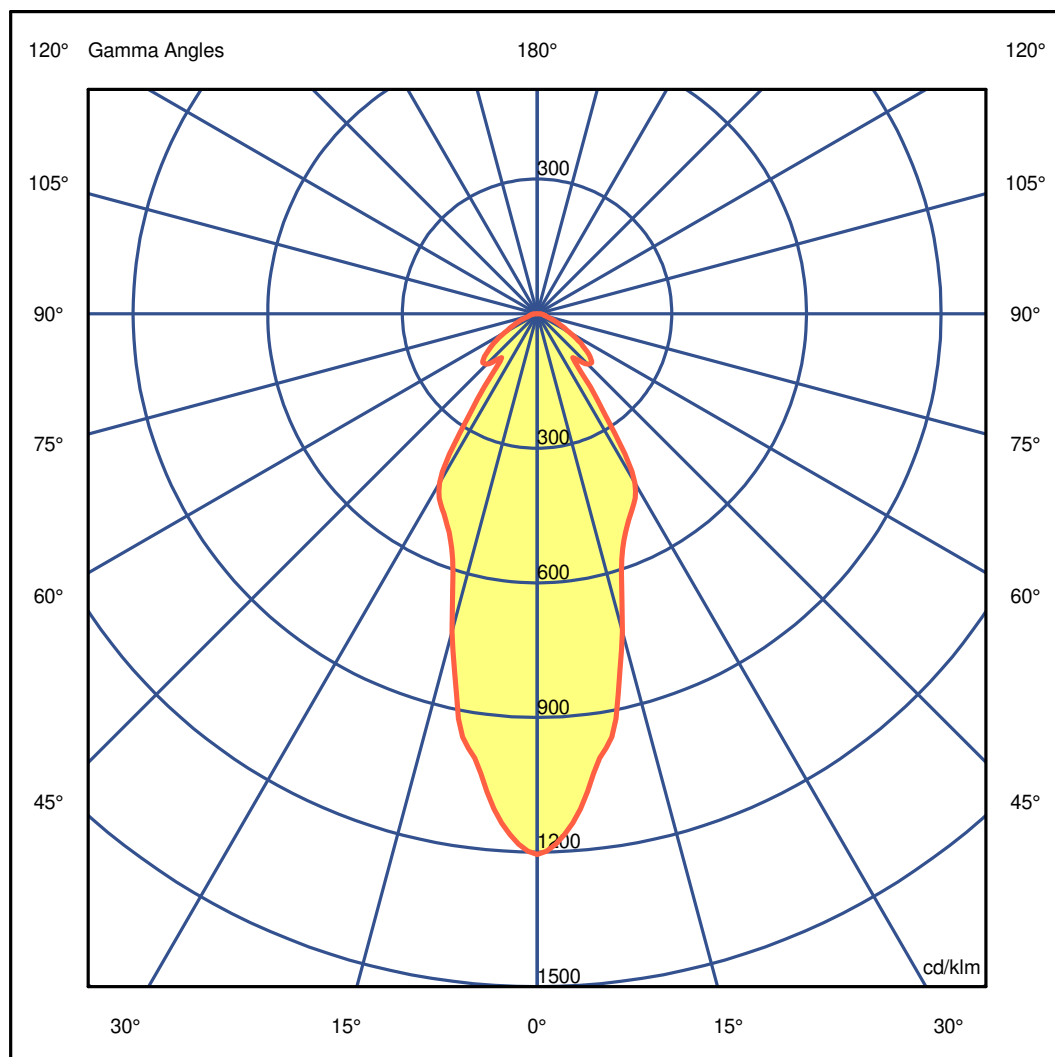
C Halfplanes

180.0 — 0.0

ULOR 0.00 %

DLOR 100.00 %

RN 0.00 %



LEDS C4⁺

Luminaire

Code 05-7588-DO-DO
Name VENETO

Measurem.

Code 05-7588-DO-DO
Name VENETO

Luminaire Flux	452.23 lm	Luminaire Power	8.30 W	Efficacy	54.49 lm/W	Efficiency	100.00%
Sources Flux	452.23 lm	Maximum value	1204.80 cd/klm	Position	C=0.00 G=0.00	CG	Rotosymmetrical

Luminous Intensity Table cd/klm Table 1/1

	C 0.00	C 0.00
G 0.0	1204.80	G 46.0 160.85
G 1.0	1197.86	G 47.0 162.38
G 2.0	1182.62	G 48.0 163.19
G 3.0	1162.20	G 49.0 160.47
G 4.0	1137.72	G 50.0 155.53
G 5.0	1108.06	G 51.0 151.68
G 6.0	1071.08	G 52.0 145.36
G 7.0	1031.85	G 53.0 138.02
G 8.0	999.84	G 54.0 130.64
G 9.0	980.22	G 55.0 123.97
G 10.0	958.00	G 56.0 116.57
G 11.0	919.24	G 57.0 109.24
G 12.0	866.43	G 58.0 101.59
G 13.0	818.20	G 59.0 92.56
G 14.0	774.43	G 60.0 83.73
G 15.0	734.20	G 61.0 76.12
G 16.0	686.93	G 62.0 70.17
G 17.0	643.47	G 63.0 64.81
G 18.0	607.24	G 64.0 59.59
G 19.0	578.65	G 65.0 54.97
G 20.0	556.78	G 66.0 50.69
G 21.0	539.12	G 67.0 46.51
G 22.0	524.75	G 68.0 42.83
G 23.0	512.88	G 69.0 38.37
G 24.0	502.15	G 70.0 34.16
G 25.0	492.07	G 71.0 30.34
G 26.0	482.99	G 72.0 26.88
G 27.0	474.14	G 73.0 23.54
G 28.0	465.19	G 74.0 20.76
G 29.0	452.21	G 75.0 18.83
G 30.0	435.38	G 76.0 17.71
G 31.0	410.49	G 77.0 16.92
G 32.0	368.45	G 78.0 17.12
G 33.0	315.17	G 79.0 16.60
G 34.0	267.03	G 80.0 15.20
G 35.0	232.70	G 81.0 14.25
G 36.0	200.82	G 82.0 13.40
G 37.0	161.49	G 83.0 12.45
G 38.0	135.07	G 84.0 11.16
G 39.0	125.99	G 85.0 10.17
G 40.0	128.95	G 86.0 8.85
G 41.0	133.97	G 87.0 7.77
G 42.0	140.01	G 88.0 7.19
G 43.0	147.73	G 89.0 6.80
G 44.0	154.16	G 90.0 6.39
G 45.0	158.56	

LEDS C4²

Luminaire

Code 05-7588-DO-DO
Name VENETO

Measur.

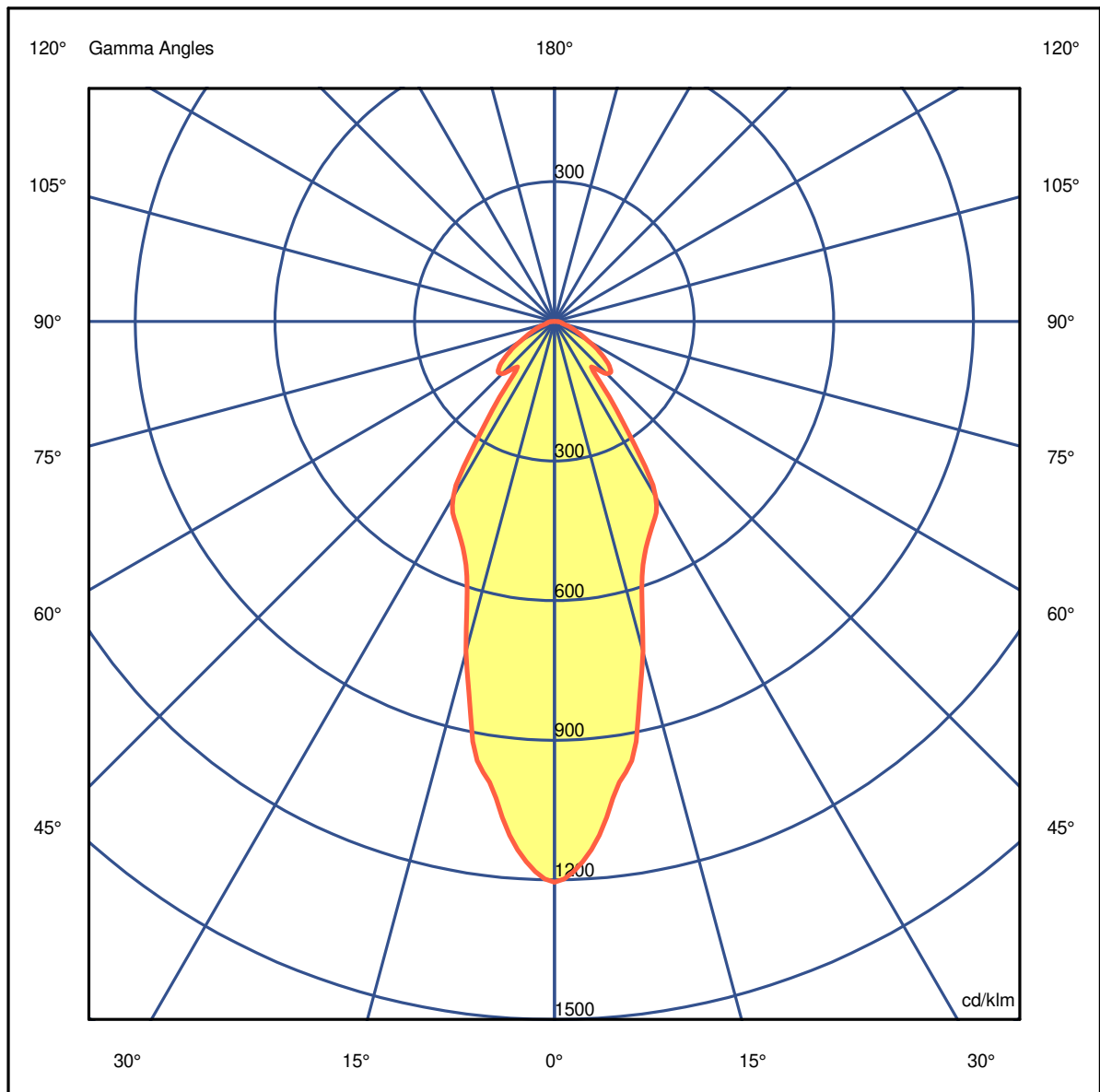
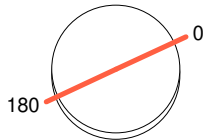
Code 05-7588-DO-DO
Name VENETO

Luminaire Flux	452.23 lm	Luminaire Power	8.30 W	Efficacy	54.49 lm/W	Efficiency	100.00%
Sources Flux	452.23 lm	Maximum value	1204.80 cd/klm	Position	C=0.00 G=0.00	CG	Rotosymmetrical

Diam=62mm

C Halfplanes

180.0  0.0



LEDS C4[®]

Luminaire

Code 05-7588-DO-DO
Name VENETO

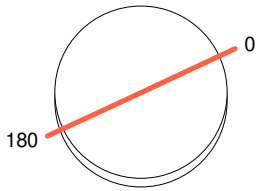
Measurem.

Code 05-7588-DO-DO
Name VENETO

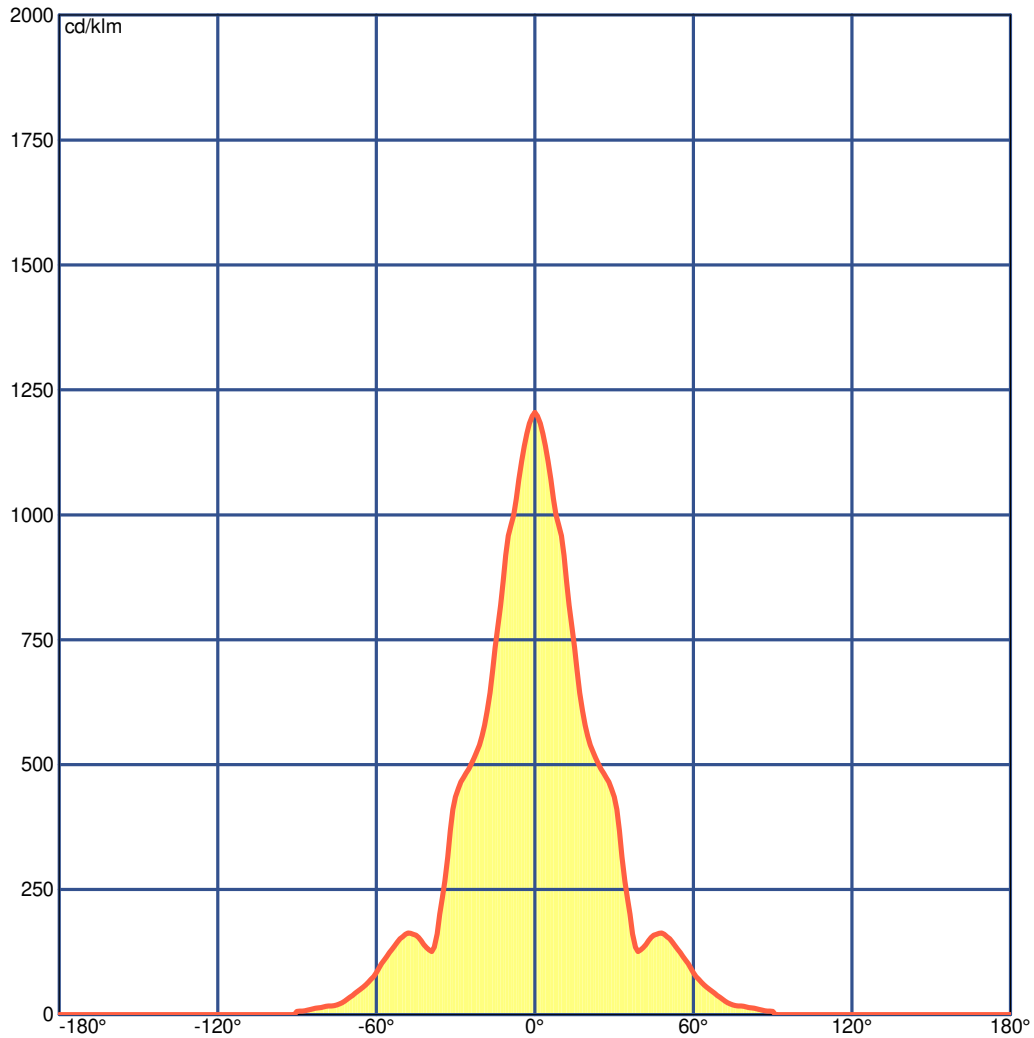
Luminaire Flux	452.23 lm	Luminaire Power	8.30 W	Efficacy	54.49 lm/W	Efficiency	100.00%
Sources Flux	452.23 lm	Maximum value	1204.80 cd/klm	Position	C=0.00 G=0.00	CG	Rotosymmetrical

Diam=62mm

C Halfplanes



180.0 ————— 0.0



LEDS C4[®]

Luminaire

Code 05-7588-DO-DO
Name VENETO

Measurem.

Code 05-7588-DO-DO
Name VENETO

Luminaire Flux	452.23 lm	Luminaire Power	8.30 W	Efficacy	54.49 lm/W	Efficiency	100.00%
Sources Flux	452.23 lm	Maximum value	1204.80 cd/klm	Position	C=0.00 G=0.00	CG	Rotosymmetrical

UGR
S = 0.250

Reflectancies										
Ceiling/Cavity	0.7	0.7	0.5	0.5	0.3	0.7	0.7	0.5	0.5	0.3
Walls	0.5	0.3	0.5	0.3	0.3	0.5	0.3	0.5	0.3	0.3
WorkingPlane	0.2	0.2	0.2	0.2	0.2	0.2	0.2	0.2	0.2	0.2
RoomDimensions	Viewed Crosswise					Viewed Endwise				
x=2H y=2H	25.2	26.2	25.5	26.4	26.6	25.2	26.2	25.5	26.4	26.6
x=2H y=3H	25.8	26.7	26.1	27.0	27.2	25.8	26.7	26.1	27.0	27.2
x=2H y=4H	26.0	26.8	26.3	27.1	27.4	26.0	26.8	26.3	27.1	27.4
x=2H y=6H	26.2	27.0	26.5	27.3	27.5	26.2	27.0	26.5	27.3	27.5
x=2H y=8H	26.3	27.1	26.6	27.4	27.7	26.3	27.1	26.6	27.4	27.7
x=2H y=12H	26.4	27.2	26.8	27.5	27.8	26.4	27.2	26.8	27.5	27.8
x=4H y=2H	25.6	26.5	25.9	26.7	27.0	25.6	26.5	25.9	26.7	27.0
x=4H y=3H	26.4	27.1	26.7	27.4	27.7	26.4	27.1	26.7	27.4	27.7
x=4H y=4H	26.6	27.2	27.0	27.6	27.9	26.6	27.2	27.0	27.6	27.9
x=4H y=6H	26.9	27.4	27.3	27.8	28.2	26.9	27.4	27.3	27.8	28.2
x=4H y=8H	27.1	27.6	27.5	28.0	28.4	27.1	27.6	27.5	28.0	28.4
x=4H y=12H	27.3	27.7	27.7	28.1	28.6	27.3	27.7	27.7	28.1	28.6
x=8H y=4H	26.7	27.2	27.1	27.6	28.0	26.7	27.2	27.1	27.6	28.0
x=8H y=6H	27.1	27.5	27.6	28.0	28.4	27.1	27.5	27.6	28.0	28.4
x=8H y=8H	27.4	27.8	27.9	28.2	28.7	27.4	27.8	27.9	28.2	28.7
x=8H y=12H	27.7	28.0	28.2	28.5	29.0	27.7	28.0	28.2	28.5	29.0
x=12H y=4H	26.7	27.2	27.1	27.6	28.0	26.7	27.2	27.1	27.6	28.0
x=12H y=6H	27.2	27.5	27.6	28.0	28.4	27.2	27.5	27.6	28.0	28.4
x=12H y=8H	27.5	27.8	28.0	28.3	28.8	27.5	27.8	28.0	28.3	28.8

LEDS C4⁺

Luminaire

Code 05-7588-DO-DO
Name VENETO

Measurement

Code 05-7588-DO-DO
Name VENETO

Luminaire Flux	452.23 lm	Luminaire Power	8.30 W	Efficacy	54.49 lm/W	Efficiency	100.00%
Sources Flux	452.23 lm	Maximum value	1204.80 cd/klm	Position	C=0.00 G=0.00	CG	Rotosymmetrical

Total Flux=452.23 Luminaire Flux=452.23

RI	0.60	0.80	1.00	1.25	1.50	2.00	2.50	3.00	4.00	5.00	10.00	20.00
DRR	0.49	0.56	0.63	0.69	0.73	0.80	0.84	0.87	0.90	0.92	0.96	0.98
RC	2	2	2	2	2	2	2	2	2	2	1	1

Zonal Flux per 1000 Lumen

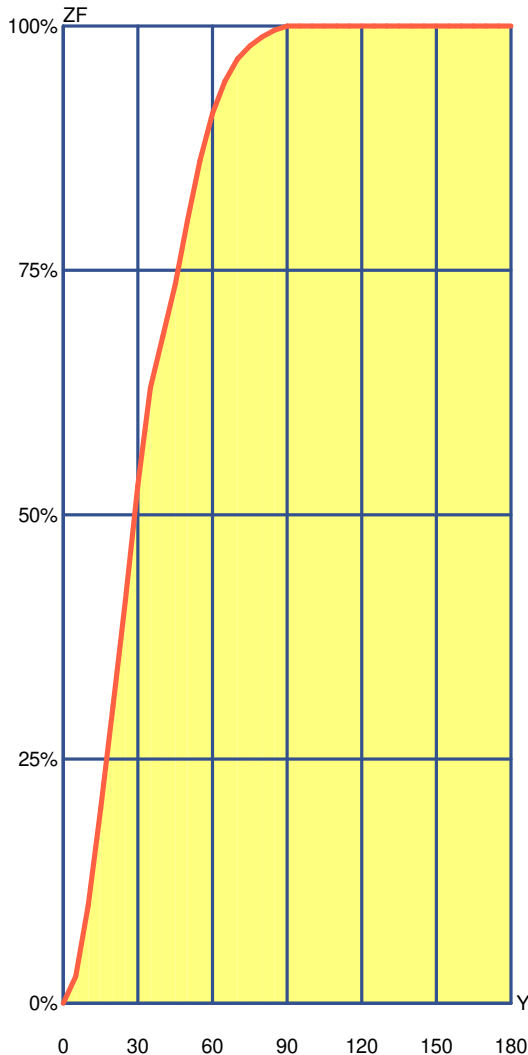
Y°	10	20	30	40	50	60	70	80	90	100	110	120	130	140	150	160	170	180
ZF(Y)	100	303	530	683	801	911	966	989	1000	1000	1000	1000	1000	1000	1000	1000	1000	1000

CIE Flux Codes

70 91 98 100 100

C.I.E. 2/2/2/2/2/2/2/2/1/1
D DIN 5040 A50
F UTE 1.00 C
B NBN BZ 1 / 0.8 / BZ 2
RN 0.00000 %
BLF 1.0

LOR 100.00000 %
ULOR 0.00000 %
DLOR 100.00000 %
UFF 0.00000 %
DFF 100.00000 %
FFR 0.00000 %



Gamma °	Zonal Flux			
	Flux	Sum lm	Flux [%]	Sum [%]
0°	0.00	0.00	0.00%	0.00%
5°	27.53	27.53	2.75%	2.75%
10°	72.63	100.17	7.26%	10.02%
15°	99.37	199.53	9.94%	19.95%
20°	103.58	303.11	10.36%	30.31%
25°	108.99	412.10	10.90%	41.21%
30°	118.18	530.28	11.82%	53.03%
35°	99.13	629.42	9.91%	62.94%
40°	53.32	682.74	5.33%	68.27%
45°	53.39	736.13	5.34%	73.61%
50°	64.97	801.10	6.50%	80.11%
55°	61.28	862.38	6.13%	86.24%
60°	48.35	910.73	4.83%	91.07%
65°	33.02	943.74	3.30%	94.37%
70°	22.55	966.29	2.26%	96.63%
75°	13.37	979.66	1.34%	97.97%
80°	9.13	988.79	0.91%	98.88%
85°	6.95	995.74	0.69%	99.57%
90°	4.26	1000.00	0.43%	100.00%
95°	0.00	1000.00	0.00%	100.00%
100°	0.00	1000.00	0.00%	100.00%
105°	0.00	1000.00	0.00%	100.00%
110°	0.00	1000.00	0.00%	100.00%
115°	0.00	1000.00	0.00%	100.00%
120°	0.00	1000.00	0.00%	100.00%
125°	0.00	1000.00	0.00%	100.00%
130°	0.00	1000.00	0.00%	100.00%
135°	0.00	1000.00	0.00%	100.00%
140°	0.00	1000.00	0.00%	100.00%
145°	0.00	1000.00	0.00%	100.00%
150°	0.00	1000.00	0.00%	100.00%
155°	0.00	1000.00	0.00%	100.00%
160°	0.00	1000.00	0.00%	100.00%
165°	0.00	1000.00	0.00%	100.00%
170°	0.00	1000.00	0.00%	100.00%
175°	0.00	1000.00	0.00%	100.00%
180°	0.00	1000.00	0.00%	100.00%

LEDS C4⁺

Luminaire

Code 05-7588-DO-DO
Name VENETO

Measurement

Code 05-7588-DO-DO
Name VENETO

Luminaire Flux	452.23 lm	Luminaire Power	8.30 W	Efficacy	54.49 lm/W	Efficiency	100.00%
Sources Flux	452.23 lm	Maximum value	1204.80 cd/klm	Position	C=0.00 G=0.00	CG	Rotosymmetrical

Utilizations CIE

Mounting	Direct	Normalization										Normalised										Suspension Ratid/3										Standard CIE Settings																																																																																																																																																																																																																																																																																							
Ceiling																																																																																																																																																																																																																																																																																																																							
K	8873	8773	8871	8771	7773	7771	7753	7553	7751	7551	7731	7331	7711	7111	5551	5531	5331	5511	5111	3331	3311	1111	0000	0.60	193	174	137	123	165	118	104	88	71	61	40	30	17	12	57	32	28	14	11	27	12	10	0	0.80	226	207	145	134	197	128	133	116	82	72	49	39	24	18	67	41	37	20	17	35	18	15	0	1.00	248	231	146	136	220	131	156	139	88	79	56	46	31	24	74	47	43	26	22	41	23	21	0	1.25	269	253	144	136	241	131	180	163	92	84	62	53	38	30	79	54	50	33	29	48	30	27	0	1.50	284	270	141	135	257	130	200	184	95	88	67	58	44	36	83	59	55	39	35	53	35	32	0	2.00	304	293	134	130	279	125	229	214	97	92	74	66	54	46	87	66	63	49	44	60	45	41	0	2.50	318	308	129	125	294	121	250	237	98	94	78	72	61	54	89	72	69	56	52	66	52	49	0	3.00	328	319	124	122	305	118	267	254	99	95	82	76	67	60	91	76	73	62	58	70	58	55	0	4.00	342	335	121	119	320	116	289	279	101	98	87	82	75	69	94	82	79	70	67	77	67	63	0	5.00	351	345	118	117	331	114	304	295	102	99	91	87	80	75	96	85	84	76	73	81	72	69	0	10.00	371	368	113	112	353	110	339	334	104	103	98	96	93	90	100	94	93	89	87	91	86	83	0	20.00	382	381	110	110	366	108	358	355	105	105	103	101	100	98	102	99	99	97	96	96	94	92	0

Wall

K	8873	8773	8871	8771	7773	7771	7753	7553	7751	7551	7731	7331	7711	7111	5551	5531	5331	5511	5111	3331	3311	1111	0000	0.60	387	376	315	309	371	305	292	285	246	242	206	203	178	176	239	203	202	176	176	201	176	175	154	0.80	430	419	338	331	411	327	334	326	273	268	234	229	205	202	264	229	228	203	201	226	201	200	175	1.00	455	444	344	339	433	333	361	352	285	280	249	244	221	217	275	243	241	218	216	239	216	214	186	1.25	477	467	348	343	453	338	387	377	295	290	262	257	235	231	285	256	254	232	230	251	229	227	196	1.50	493	483	350	345	468	339	406	396	301	297	271	266	246	242	291	264	262	242	240	259	239	236	202	2.00	503	494	338	335	476	329	424	414	298	295	274	269	252	248	287	266	264	247	244	259	243	239	201	2.50	507	499	327	324	479	318	434	424	293	290	272	268	254	249	282	264	262	248	245	257	243	238	198	3.00	506	499	315	313	478	307	439	429	286	283	268	264	252	248	275	259	258	245	243	252	239	234	192	4.00	514	508	309	307	485	301	453	444	285	283	270	267	257	253	273	261	259	249	247	252	242	236	191	5.00	520	515	306	304	490	298	463	455	285	283	272	269	261	257	273	262	261	253	250	253	245	238	191	10.00	525	522	291	290	494	284	478	474	277	276	270	268	264	261	265	259	258	253	252	249	244	235	184	20.00	504	502	259	258	472	252	464	461	248	248	245	244	242	240	236	233	233	231	230	222	220	210	157
---	------	------	------	------	------	------	------	------	------	------	------	------	------	------	------	------	------	------	------	------	------	------	------	------	-----	-----	-----	-----	-----	-----	-----	-----	-----	-----	-----	-----	-----	-----	-----	-----	-----	-----	-----	-----	-----	-----	-----	------	-----	-----	-----	-----	-----	-----	-----	-----	-----	-----	-----	-----	-----	-----	-----	-----	-----	-----	-----	-----	-----	-----	-----	------	-----	-----	-----	-----	-----	-----	-----	-----	-----	-----	-----	-----	-----	-----	-----	-----	-----	-----	-----	-----	-----	-----	-----	------	-----	-----	-----	-----	-----	-----	-----	-----	-----	-----	-----	-----	-----	-----	-----	-----	-----	-----	-----	-----	-----	-----	-----	------	-----	-----	-----	-----	-----	-----	-----	-----	-----	-----	-----	-----	-----	-----	-----	-----	-----	-----	-----	-----	-----	-----	-----	------	-----	-----	-----	-----	-----	-----	-----	-----	-----	-----	-----	-----	-----	-----	-----	-----	-----	-----	-----	-----	-----	-----	-----	------	-----	-----	-----	-----	-----	-----	-----	-----	-----	-----	-----	-----	-----	-----	-----	-----	-----	-----	-----	-----	-----	-----	-----	------	-----	-----	-----	-----	-----	-----	-----	-----	-----	-----	-----	-----	-----	-----	-----	-----	-----	-----	-----	-----	-----	-----	-----	------	-----	-----	-----	-----	-----	-----	-----	-----	-----	-----	-----	-----	-----	-----	-----	-----	-----	-----	-----	-----	-----	-----	-----	------	-----	-----	-----	-----	-----	-----	-----	-----	-----	-----	-----	-----	-----	-----	-----	-----	-----	-----	-----	-----	-----	-----	-----	-------	-----	-----	-----	-----	-----	-----	-----	-----	-----	-----	-----	-----	-----	-----	-----	-----	-----	-----	-----	-----	-----	-----	-----	-------	-----	-----	-----	-----	-----	-----	-----	-----	-----	-----	-----	-----	-----	-----	-----	-----	-----	-----	-----	-----	-----	-----	-----

Working Pl.

K	8873	8773	8871	8771	7773	7771	7753	7553	7751	7551	7731	7331	7711	7111	5551	5531	5331	5511	5111	3331	3311	1111	0000	0.60	728	717	680	672	710	667	614	607	592	587	540	537	503	501	584	537	535	502	501	534	501	500	487	0.80	822	809	757	749	798	743	704	694	671	665	620	615	581	578	660	614	612	579	577	610	577	576	562	1.00	896	883	817	810	869	802	779	767	736	730	687	681	649	645	723	680	678	646	644	675	643	641	628	1.25	963	949	868	861	932	853	847	835	794	788	748	741	712	707	779	739	737	707	704	732	703	700	687	1.50	1000	998	903	897	977	888	899	886	835	829	793	786	758	752	819	783	780	752	749	774	747	743	730	2.00	1000	1000	954	949	1000	939	978	965	897	891	862	854	832	825	879	849	846	823	820	839	816	810	799	2.50	1000	1000	984	980	1000	970	1000	1000	935	930	905	898	879	872	916	891	888	869	865	879	860	853	842	3.00	1000	1000	1000	1000	1000	990	1000	1000	961	957	936	929	913	906	942	921	918	901	898	908	891	882	872	4.00	1000	1000	1000	1000	1000	1000	1000	1000	990	987	970	964	951	944	970	953	951	938	934	939	925	914	904	5.00	1000	1000	1000	1000	1000	1000	1000	1000	1000	1000	1000	1000	990	985	975	968	987	973	970	959	956	957	946	933	924	10.00	1000	1000	1000	1000	1000	1000	1000	1000	1000	1000	1000	1000	1000	1000	1000	1000	1000	1000	1000	1000	995	989	973	963	20.00	1000	1000	1000	1000	1000	1000	1000	1000	1000	1000	1000	1000	1000	1000	1000	1000	1000	1000	1000	1000	1000	1000	994	984
---	------	------	------	------	------	------	------	------	------	------	------	------	------	------	------	------	------	------	------	------	------	------	------	------	-----	-----	-----	-----	-----	-----	-----	-----	-----	-----	-----	-----	-----	-----	-----	-----	-----	-----	-----	-----	-----	-----	-----	------	-----	-----	-----	-----	-----	-----	-----	-----	-----	-----	-----	-----	-----	-----	-----	-----	-----	-----	-----	-----	-----	-----	-----	------	-----	-----	-----	-----	-----	-----	-----	-----	-----	-----	-----	-----	-----	-----	-----	-----	-----	-----	-----	-----	-----	-----	-----	------	-----	-----	-----	-----	-----	-----	-----	-----	-----	-----	-----	-----	-----	-----	-----	-----	-----	-----	-----	-----	-----	-----	-----	------	------	-----	-----	-----	-----	-----	-----	-----	-----	-----	-----	-----	-----	-----	-----	-----	-----	-----	-----	-----	-----	-----	-----	------	------	------	-----	-----	------	-----	-----	-----	-----	-----	-----	-----	-----	-----	-----	-----	-----	-----	-----	-----	-----	-----	-----	------	------	------	-----	-----	------	-----	------	------	-----	-----	-----	-----	-----	-----	-----	-----	-----	-----	-----	-----	-----	-----	-----	------	------	------	------	------	------	-----	------	------	-----	-----	-----	-----	-----	-----	-----	-----	-----	-----	-----	-----	-----	-----	-----	------	------	------	------	------	------	------	------	------	-----	-----	-----	-----	-----	-----	-----	-----	-----	-----	-----	-----	-----	-----	-----	------	------	------	------	------	------	------	------	------	------	------	------	------	-----	-----	-----	-----	-----	-----	-----	-----	-----	-----	-----	-----	-----	-------	------	------	------	------	------	------	------	------	------	------	------	------	------	------	------	------	------	------	------	------	-----	-----	-----	-----	-------	------	------	------	------	------	------	------	------	------	------	------	------	------	------	------	------	------	------	------	------	------	------	-----	-----

LM53 SHR C0-C180: 0.573 SHR C90-C270: 0.573 SHR Square: 0.789

LEDS C4²

Luminaire

Code 05-7588-DO-DO
Name VENETO

Measurem.

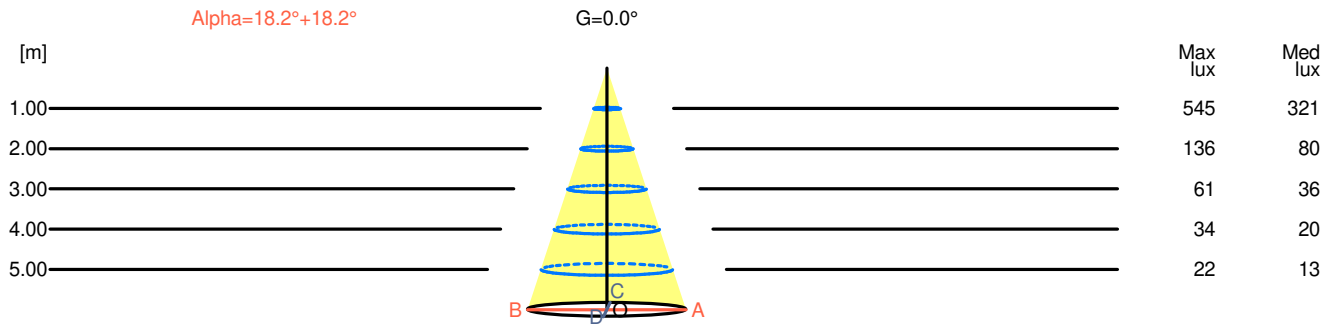
Code 05-7588-DO-DO
Name VENETO

Luminaire Flux	452.23 lm	Luminaire Power	8.30 W	Efficacy	54.49 lm/W	Efficiency	100.00%
Sources Flux	452.23 lm	Maximum value	1204.80 cd/klm	Position	C=0.00 G=0.00	CG	Rotosymmetrical

Width at 50.00 % of Max Intensity

H[m]	1.00	2.00	3.00	4.00	5.00	H[m]	1.00	2.00	3.00	4.00	5.00
OA	0.33	0.66	0.98	1.31	1.64	OC	0.33	0.66	0.98	1.31	1.64
OB	0.33	0.66	0.98	1.31	1.64	OD	0.33	0.66	0.98	1.31	1.64

	Luminous Intensities [cd/klm]									
	0	5	15	25	35	45	55	65	75	85
OA	544.85	501.10	332.03	222.53	105.23	71.71	56.06	24.86	8.52	4.60
OB	544.85	501.10	332.03	222.53	105.23	71.71	56.06	24.86	8.52	4.60
OC	544.85	501.10	332.03	222.53	105.23	71.71	56.06	24.86	8.52	4.60
OD	544.85	501.10	332.03	222.53	105.23	71.71	56.06	24.86	8.52	4.60



H[m]	D[m]	Max lux	Med lux	Alpha=18.2°+18.2°	G=0.0	
1.00	0.66	545	321			
2.00	1.31	136	80			
3.00	1.97	61	36			
4.00	2.63	34	20			
5.00	3.28	22	13			

LEDS C4²

Luminaire

Code 05-7588-DO-DO
Name VENETO

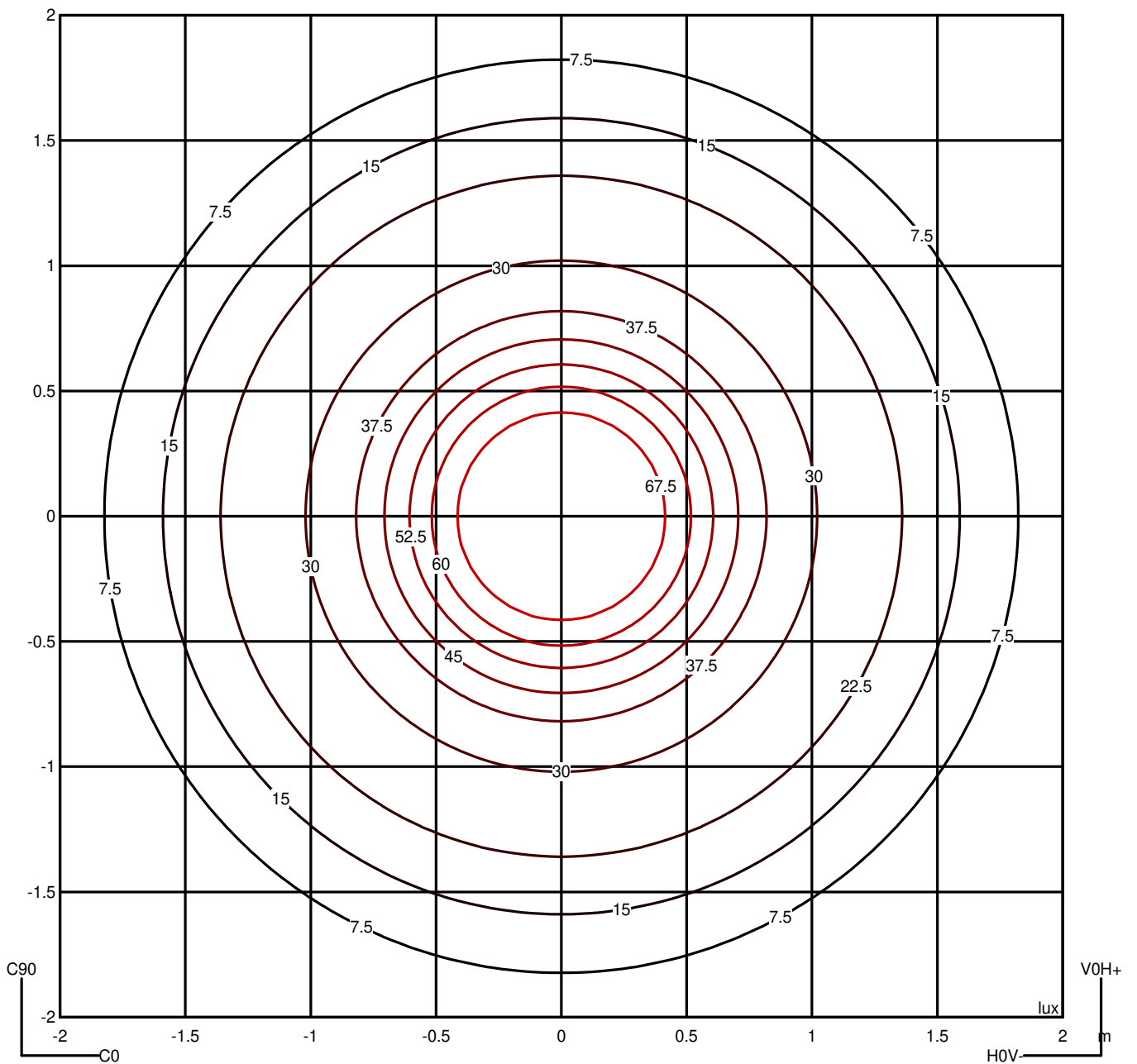
Measur.

Code 05-7588-DO-DO
Name VENETO

Luminaire Flux	452.23 lm	Luminaire Power	8.30 W	Efficacy	54.49 lm/W	Efficiency	100.00%
Sources Flux	452.23 lm	Maximum value	1204.80 cd/klm	Position	C=0.00 G=0.00	CG	Rotosymmetrical

Isolux (Floor)

Luminaire position X=0.00m Y=0.00m Z=2.50m



LEDS C4²

Luminaire

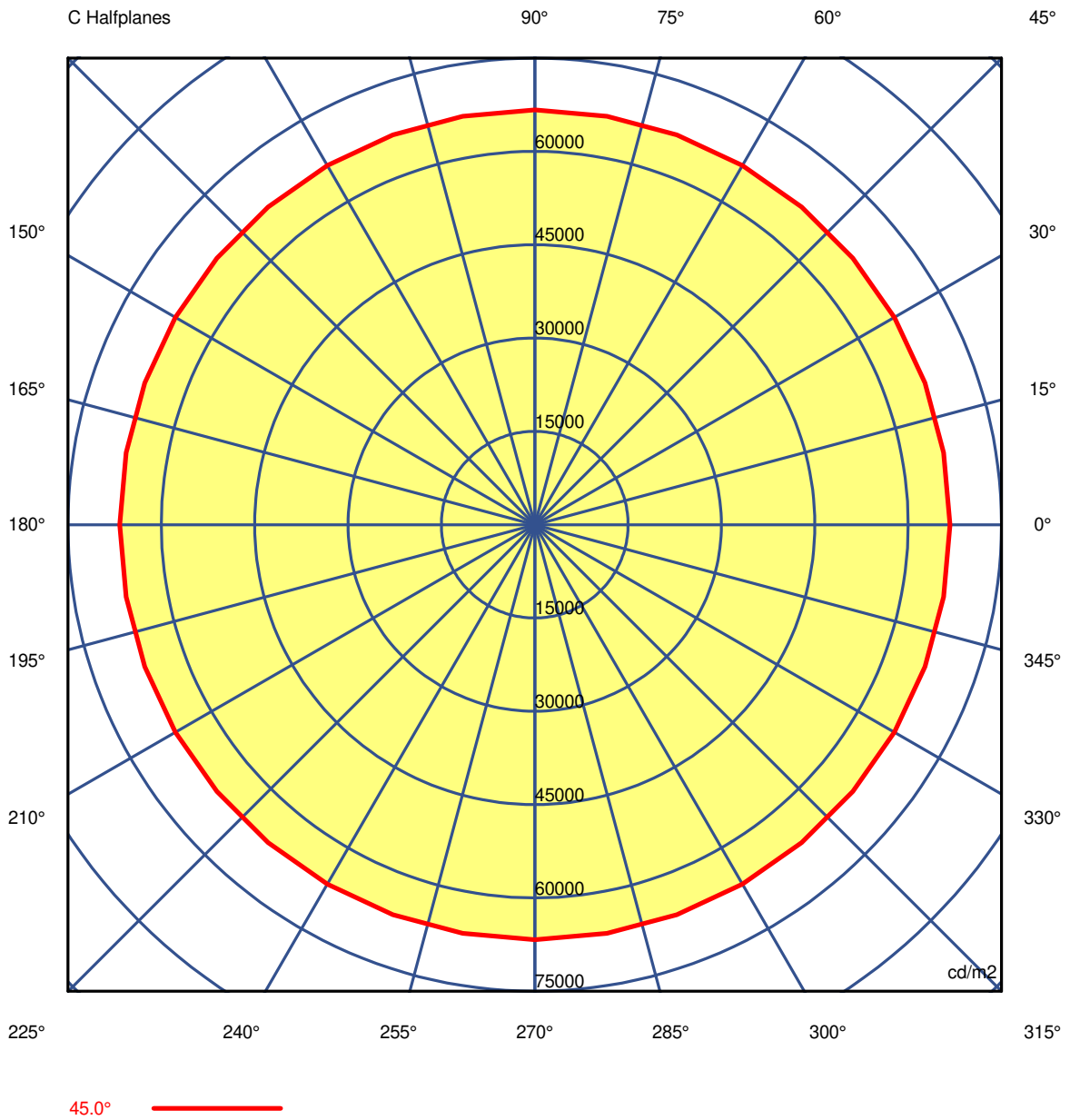
Code 05-7588-DO-DO
Name VENETO

Measurement

Code 05-7588-DO-DO
Name VENETO

Luminaire Flux	452.23 lm	Luminaire Power	8.30 W	Efficacy	54.49 lm/W	Efficiency	100.00%
Sources Flux	452.23 lm	Maximum value	1204.80 cd/klm	Position	C=0.00 G=0.00	CG	Rotosymmetrical

Luminance



LEDS C4⁺

Luminaire

Code 05-7588-DO-DO

Name VENETO

Measurement

Code 05-7588-DO-DO

Name VENETO

Luminaire Flux	452.23 lm	Luminaire Power	8.30 W	Efficacy	54.49 lm/W	Efficiency	100.00%
Sources Flux	452.23 lm	Maximum value	1204.80 cd/klm	Position	C=0.00 G=0.00	CG	Rotosymmetrical

Luminance cd/m2 Table 1/3

	C 0.00	C 10.00	C 20.00	C 30.00	C 40.00	C 50.00	C 60.00	C 70.00	C 80.00	C 90.00	C 100.00	C 110.00	C 120.00
G 0.0	358326.29	358326.29	358326.29	358326.29	358326.29	358326.29	358326.29	358326.29	358326.29	358326.29	358326.29	358326.29	358326.29
G 5.0	330813.48	330813.48	330813.48	330813.48	330813.48	330813.48	330813.48	330813.48	330813.48	330813.48	330813.48	330813.48	330813.48
G 10.0	289319.23	289319.23	289319.23	289319.23	289319.23	289319.23	289319.23	289319.23	289319.23	289319.23	289319.23	289319.23	289319.23
G 15.0	226064.44	226064.44	226064.44	226064.44	226064.44	226064.44	226064.44	226064.44	226064.44	226064.44	226064.44	226064.44	226064.44
G 20.0	176223.03	176223.03	176223.03	176223.03	176223.03	176223.03	176223.03	176223.03	176223.03	176223.03	176223.03	176223.03	176223.03
G 25.0	161478.26	161478.26	161478.26	161478.26	161478.26	161478.26	161478.26	161478.26	161478.26	161478.26	161478.26	161478.26	161478.26
G 30.0	149519.38	149519.38	149519.38	149519.38	149519.38	149519.38	149519.38	149519.38	149519.38	149519.38	149519.38	149519.38	149519.38
G 35.0	84487.74	84487.74	84487.74	84487.74	84487.74	84487.74	84487.74	84487.74	84487.74	84487.74	84487.74	84487.74	84487.74
G 40.0	50063.09	50063.09	50063.09	50063.09	50063.09	50063.09	50063.09	50063.09	50063.09	50063.09	50063.09	50063.09	50063.09
G 45.0	66693.37	66693.37	66693.37	66693.37	66693.37	66693.37	66693.37	66693.37	66693.37	66693.37	66693.37	66693.37	66693.37
G 50.0	71963.55	71963.55	71963.55	71963.55	71963.55	71963.55	71963.55	71963.55	71963.55	71963.55	71963.55	71963.55	71963.55
G 55.0	64283.76	64283.76	64283.76	64283.76	64283.76	64283.76	64283.76	64283.76	64283.76	64283.76	64283.76	64283.76	64283.76
G 60.0	49806.21	49806.21	49806.21	49806.21	49806.21	49806.21	49806.21	49806.21	49806.21	49806.21	49806.21	49806.21	49806.21
G 65.0	38684.77	38684.77	38684.77	38684.77	38684.77	38684.77	38684.77	38684.77	38684.77	38684.77	38684.77	38684.77	38684.77
G 70.0	29704.14	29704.14	29704.14	29704.14	29704.14	29704.14	29704.14	29704.14	29704.14	29704.14	29704.14	29704.14	29704.14
G 75.0	21638.08	21638.08	21638.08	21638.08	21638.08	21638.08	21638.08	21638.08	21638.08	21638.08	21638.08	21638.08	21638.08
G 80.0	26041.72	26041.72	26041.72	26041.72	26041.72	26041.72	26041.72	26041.72	26041.72	26041.72	26041.72	26041.72	26041.72
G 85.0	34692.68	34692.68	34692.68	34692.68	34692.68	34692.68	34692.68	34692.68	34692.68	34692.68	34692.68	34692.68	34692.68
G 90.0	0.00	0.00	0.00	0.00	0.00	0.00	0.00	0.00	0.00	0.00	0.00	0.00	0.00

LEDS C4⁺

Luminaire

Code 05-7588-DO-DO
Name VENETO

Measurement

Code 05-7588-DO-DO
Name VENETO

Luminaire Flux	452.23 lm	Luminaire Power	8.30 W	Efficacy	54.49 lm/W	Efficiency	100.00%
Sources Flux	452.23 lm	Maximum value	1204.80 cd/klm	Position	C=0.00 G=0.00	CG	Rotosymmetrical

Luminance cd/m2 Table 2/3

	C 130.00	C 140.00	C 150.00	C 160.00	C 170.00	C 180.00	C 190.00	C 200.00	C 210.00	C 220.00	C 230.00	C 240.00	C 250.00
G 0.0	358326.29	358326.29	358326.29	358326.29	358326.29	358326.29	358326.29	358326.29	358326.29	358326.29	358326.29	358326.29	358326.29
G 5.0	330813.48	330813.48	330813.48	330813.48	330813.48	330813.48	330813.48	330813.48	330813.48	330813.48	330813.48	330813.48	330813.48
G 10.0	289319.23	289319.23	289319.23	289319.23	289319.23	289319.23	289319.23	289319.23	289319.23	289319.23	289319.23	289319.23	289319.23
G 15.0	226064.44	226064.44	226064.44	226064.44	226064.44	226064.44	226064.44	226064.44	226064.44	226064.44	226064.44	226064.44	226064.44
G 20.0	176223.03	176223.03	176223.03	176223.03	176223.03	176223.03	176223.03	176223.03	176223.03	176223.03	176223.03	176223.03	176223.03
G 25.0	161478.26	161478.26	161478.26	161478.26	161478.26	161478.26	161478.26	161478.26	161478.26	161478.26	161478.26	161478.26	161478.26
G 30.0	149519.38	149519.38	149519.38	149519.38	149519.38	149519.38	149519.38	149519.38	149519.38	149519.38	149519.38	149519.38	149519.38
G 35.0	84487.74	84487.74	84487.74	84487.74	84487.74	84487.74	84487.74	84487.74	84487.74	84487.74	84487.74	84487.74	84487.74
G 40.0	50063.09	50063.09	50063.09	50063.09	50063.09	50063.09	50063.09	50063.09	50063.09	50063.09	50063.09	50063.09	50063.09
G 45.0	66693.37	66693.37	66693.37	66693.37	66693.37	66693.37	66693.37	66693.37	66693.37	66693.37	66693.37	66693.37	66693.37
G 50.0	71963.55	71963.55	71963.55	71963.55	71963.55	71963.55	71963.55	71963.55	71963.55	71963.55	71963.55	71963.55	71963.55
G 55.0	64283.76	64283.76	64283.76	64283.76	64283.76	64283.76	64283.76	64283.76	64283.76	64283.76	64283.76	64283.76	64283.76
G 60.0	49806.21	49806.21	49806.21	49806.21	49806.21	49806.21	49806.21	49806.21	49806.21	49806.21	49806.21	49806.21	49806.21
G 65.0	38684.77	38684.77	38684.77	38684.77	38684.77	38684.77	38684.77	38684.77	38684.77	38684.77	38684.77	38684.77	38684.77
G 70.0	29704.14	29704.14	29704.14	29704.14	29704.14	29704.14	29704.14	29704.14	29704.14	29704.14	29704.14	29704.14	29704.14
G 75.0	21638.08	21638.08	21638.08	21638.08	21638.08	21638.08	21638.08	21638.08	21638.08	21638.08	21638.08	21638.08	21638.08
G 80.0	26041.72	26041.72	26041.72	26041.72	26041.72	26041.72	26041.72	26041.72	26041.72	26041.72	26041.72	26041.72	26041.72
G 85.0	34692.68	34692.68	34692.68	34692.68	34692.68	34692.68	34692.68	34692.68	34692.68	34692.68	34692.68	34692.68	34692.68
G 90.0	0.00	0.00	0.00	0.00	0.00	0.00	0.00	0.00	0.00	0.00	0.00	0.00	0.00

LEDS C4²

Luminaire

Code 05-7588-DO-DO
Name VENETO

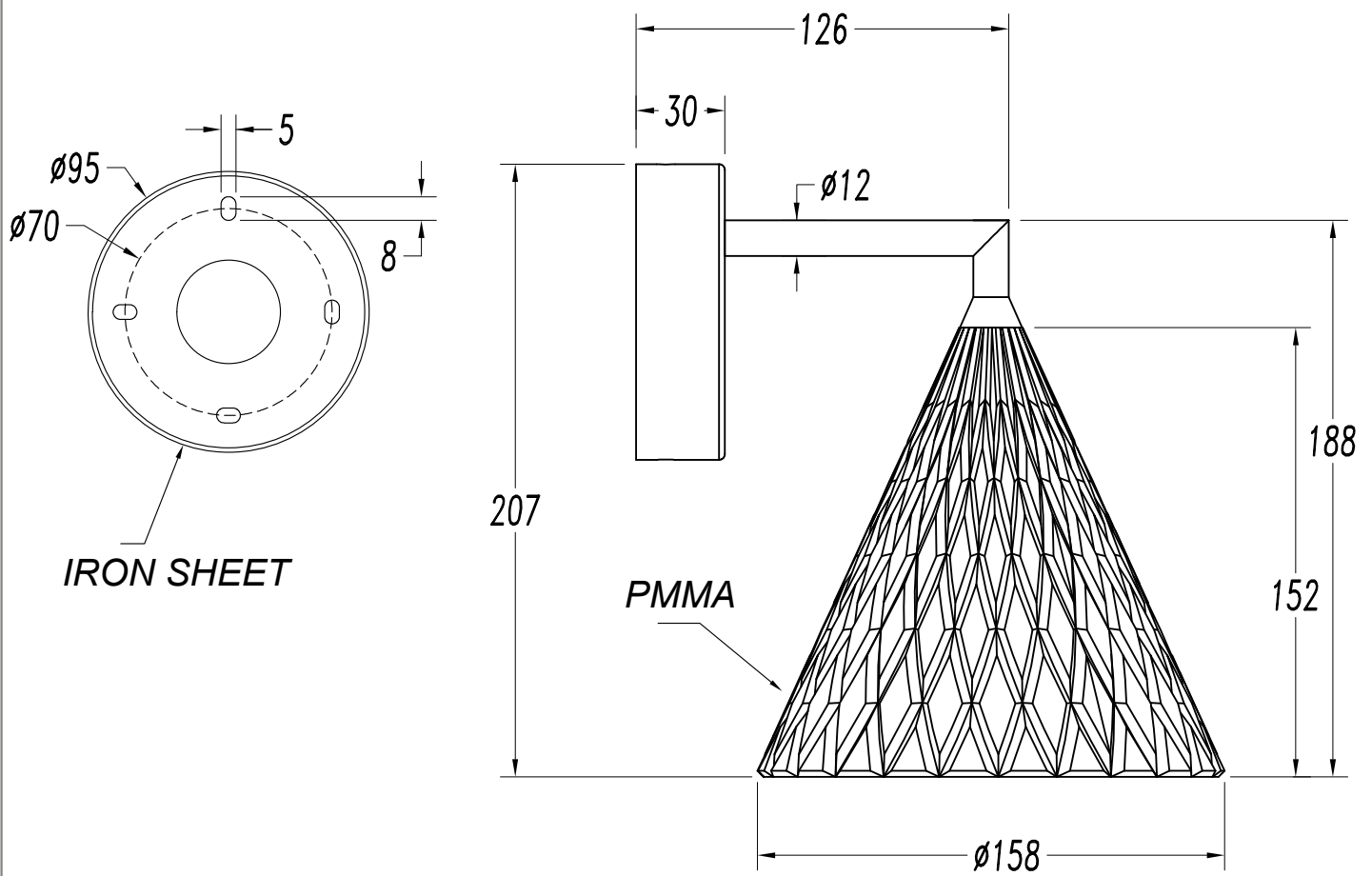
Measur.

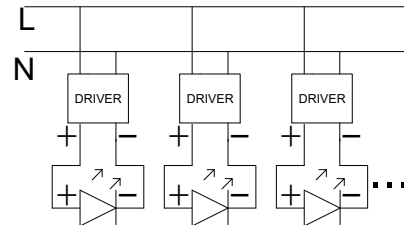
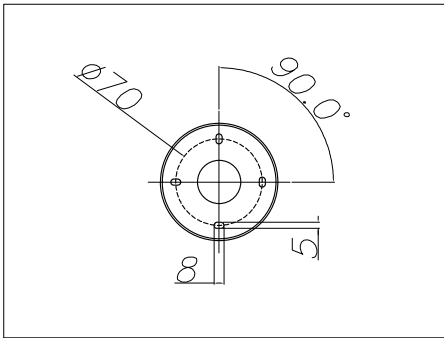
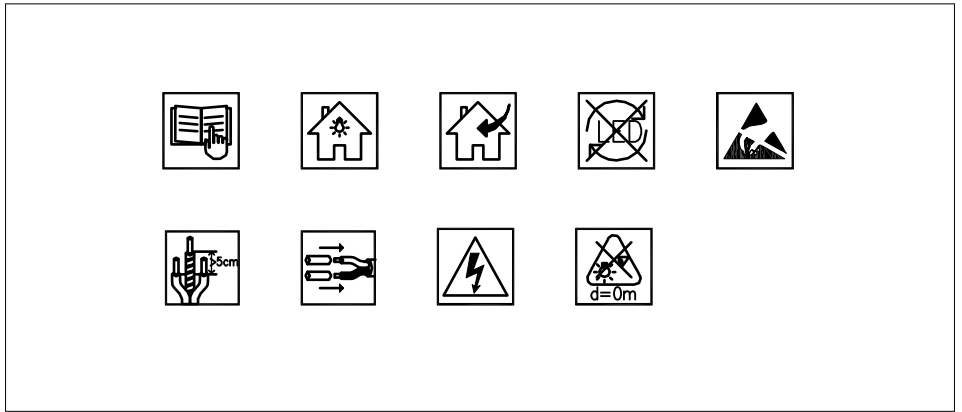
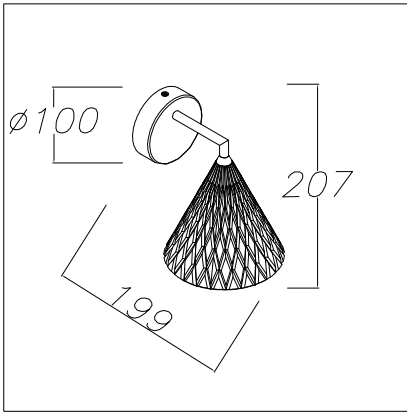
Code 05-7588-DO-DO
Name VENETO

Luminaire Flux	452.23 lm	Luminaire Power	8.30 W	Efficacy	54.49 lm/W	Efficiency	100.00%
Sources Flux	452.23 lm	Maximum value	1204.80 cd/klm	Position	C=0.00 G=0.00	CG	Rotosymmetrical

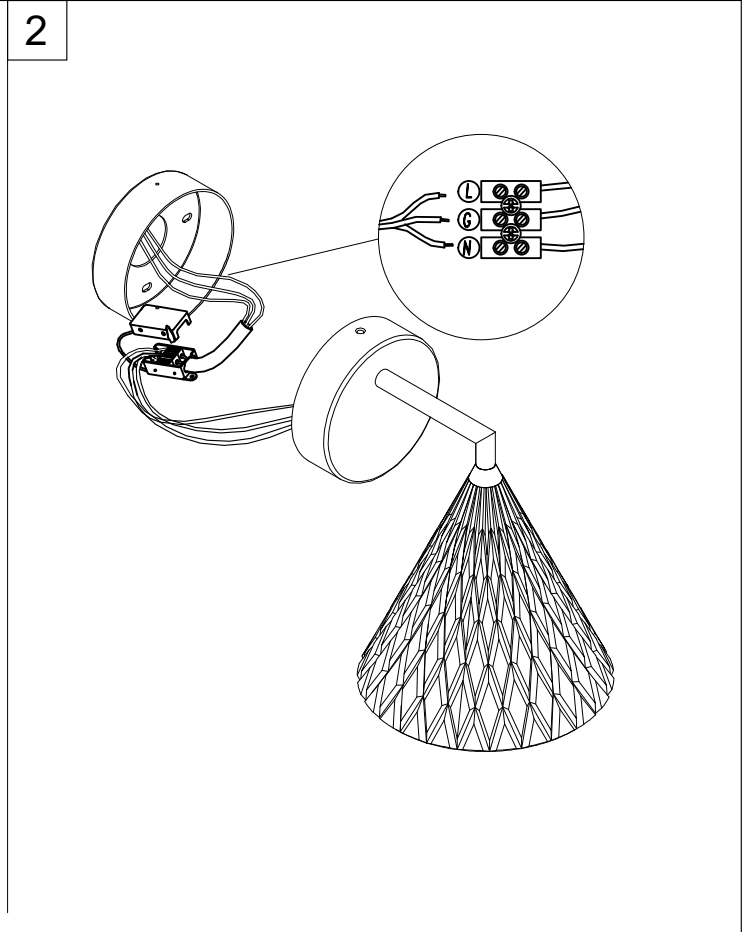
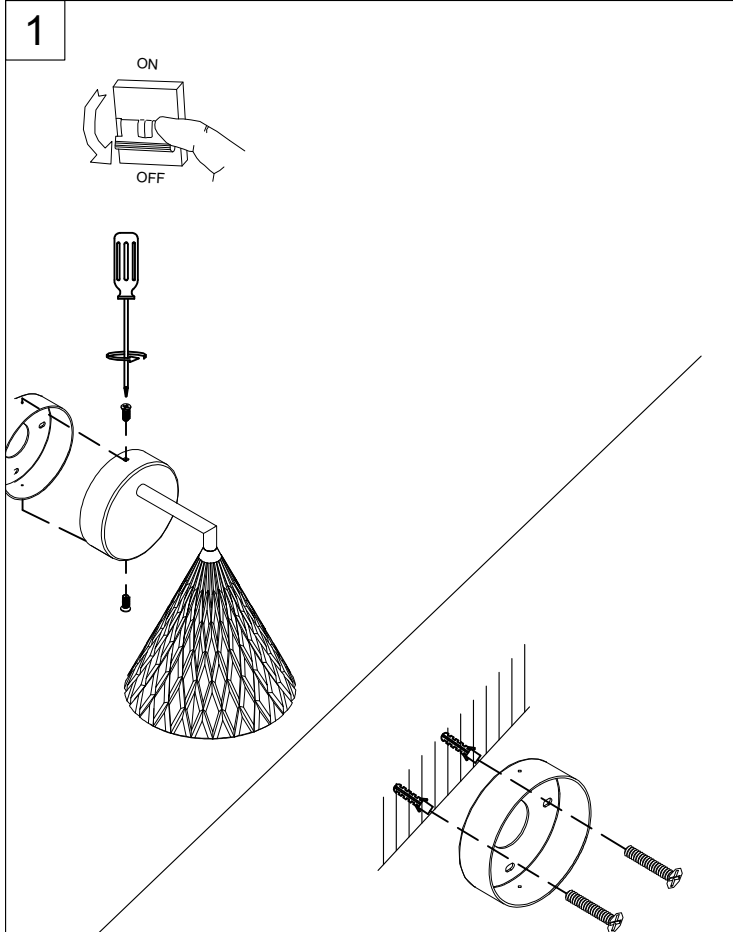
Luminance cd/m2 Table 3/3

	C 260.00	C 270.00	C 280.00	C 290.00	C 300.00	C 310.00	C 320.00	C 330.00	C 340.00	C 350.00
G 0.0	358326.29	358326.29	358326.29	358326.29	358326.29	358326.29	358326.29	358326.29	358326.29	358326.29
G 5.0	330813.48	330813.48	330813.48	330813.48	330813.48	330813.48	330813.48	330813.48	330813.48	330813.48
G 10.0	289319.23	289319.23	289319.23	289319.23	289319.23	289319.23	289319.23	289319.23	289319.23	289319.23
G 15.0	226064.44	226064.44	226064.44	226064.44	226064.44	226064.44	226064.44	226064.44	226064.44	226064.44
G 20.0	176223.03	176223.03	176223.03	176223.03	176223.03	176223.03	176223.03	176223.03	176223.03	176223.03
G 25.0	161478.26	161478.26	161478.26	161478.26	161478.26	161478.26	161478.26	161478.26	161478.26	161478.26
G 30.0	149519.38	149519.38	149519.38	149519.38	149519.38	149519.38	149519.38	149519.38	149519.38	149519.38
G 35.0	84487.74	84487.74	84487.74	84487.74	84487.74	84487.74	84487.74	84487.74	84487.74	84487.74
G 40.0	50063.09	50063.09	50063.09	50063.09	50063.09	50063.09	50063.09	50063.09	50063.09	50063.09
G 45.0	66693.37	66693.37	66693.37	66693.37	66693.37	66693.37	66693.37	66693.37	66693.37	66693.37
G 50.0	71963.55	71963.55	71963.55	71963.55	71963.55	71963.55	71963.55	71963.55	71963.55	71963.55
G 55.0	64283.76	64283.76	64283.76	64283.76	64283.76	64283.76	64283.76	64283.76	64283.76	64283.76
G 60.0	49806.21	49806.21	49806.21	49806.21	49806.21	49806.21	49806.21	49806.21	49806.21	49806.21
G 65.0	38684.77	38684.77	38684.77	38684.77	38684.77	38684.77	38684.77	38684.77	38684.77	38684.77
G 70.0	29704.14	29704.14	29704.14	29704.14	29704.14	29704.14	29704.14	29704.14	29704.14	29704.14
G 75.0	21638.08	21638.08	21638.08	21638.08	21638.08	21638.08	21638.08	21638.08	21638.08	21638.08
G 80.0	26041.72	26041.72	26041.72	26041.72	26041.72	26041.72	26041.72	26041.72	26041.72	26041.72
G 85.0	34692.68	34692.68	34692.68	34692.68	34692.68	34692.68	34692.68	34692.68	34692.68	34692.68
G 90.0	0.00	0.00	0.00	0.00	0.00	0.00	0.00	0.00	0.00	0.00

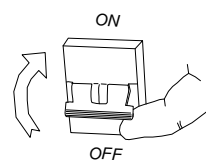
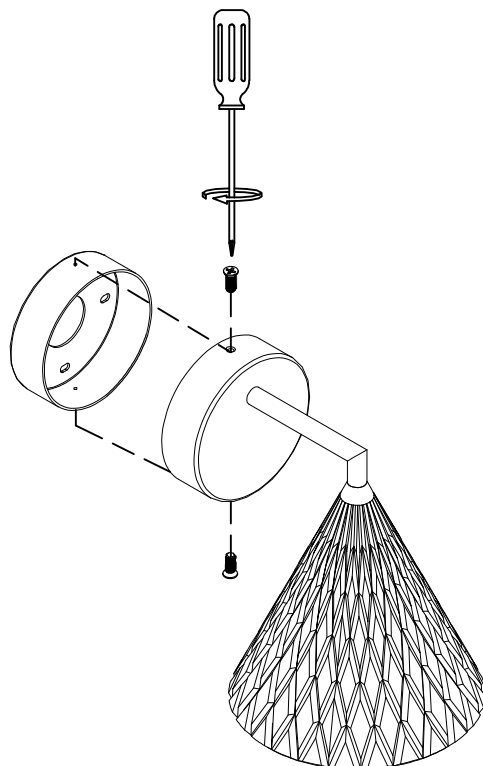




* The number of modules that can be connected in series depends on the available output voltage of the LED driver.



3



4

