



Vetro

Francesc Vilaró

Bath IP44 Vetro LED 22.4 LED warm-white 3000K ON-OFF White 1240lm

Technical features

Luminaire total power: 22.4W

Real lumens: 1240

Real lm/W: 55

Correlated Colour Temperature (CCT): LED warm-white 3000K

Lens / reflector angle: HORIZONTAL 156°

UGR: <=22

Structure material: Steel

Structure finish: White

Diffuser material: Glass

Diffuser finish: White

Driver Brand: HEP

Voltage / frequency: 220-240V/50-60Hz

Dimming protocol: ON-OFF

Power Factor: 0.90

Useful life: 50,000h L80B20

Warranty: 5 años

Easily recyclable luminaire



Luminotechnic features

CRI: 80

MacAdam steps: 3

Photobiological risk: RGO

UGR crosswise: 21.5

UGR lengthwise: 21.5

Lampholder	Quantity	Light source power (W)
LED	1	19.4W

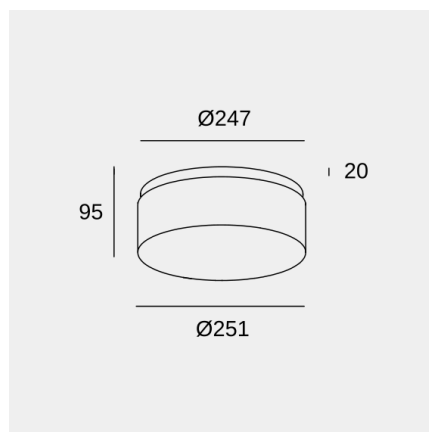


Image may not match reference. LedsC4 reserves the right to amend any of the product's components. The data related to flux, power and colour temperature may be subject to changes made by the manufacturer.



Vetro

Francesc Vilaró

Bath IP44 Vetro LED 22.4 LED warm-white 3000K ON-OFF White 1240lm

Logistics



x 2

Net weight (kg): 4.01

Packaged weight (kg): 4.98

Packaging: 340mm x 340mm x
180mm

Image may not match reference. LedsC4 reserves the right to amend any of the product's components. The data related to flux, power and colour temperature may be subject to changes made by the manufacturer.