

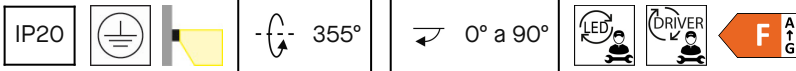


Stylus Switch

Reading lights Stylus Switch LED 4.5 LED warm-white 3000K ON-OFF White 276lm

Technical features

- Luminaire total power: 4.5W
- Real lumens: 276
- Real lm/W: 61
- Correlated Colour Temperature (CCT): LED warm-white 3000K
- Lens / reflector angle: MEDIUM 40°
- Structure material: Aluminium
- Structure finish: White
- Diffuser material: Polycarbonate
- Diffuser finish: Transparent
- Driver Brand: HEP
- Voltage / frequency: 100-240V/50-60Hz
- Dimming protocol: ON-OFF
- Power Factor: 0.90
- Useful life: 50,000h L80B20
- Warranty: 5 años



Luminotechnic features

- CRI: 90
- MacAdam steps: 3
- Photobiological risk: RG1

Lampholder	Quantity	Light source power (W)
LED	1	3.4W

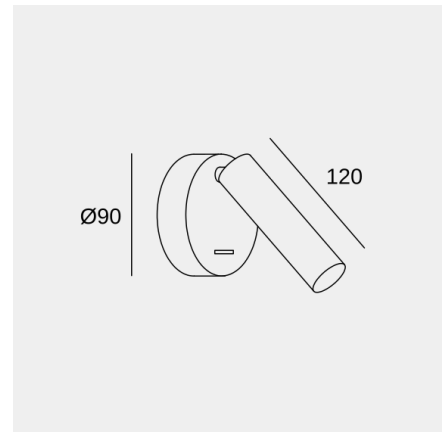


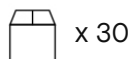
Image may not match reference. LedsC4 reserves the right to amend any of the product's components. The data related to flux, power and colour temperature may be subject to changes made by the manufacturer.



Stylus Switch

Reading lights Stylus Switch LED 4.5 LED warm-white 3000K ON-OFF White 276lm

Logistics



x 30

Net weight (kg): 0.28

Packaged weight (kg): 0.38

Packaging: 110mm x 75mm x 140mm

Light application



Image may not match reference. LedsC4 reserves the right to amend any of the product's components. The data related to flux, power and colour temperature may be subject to changes made by the manufacturer.